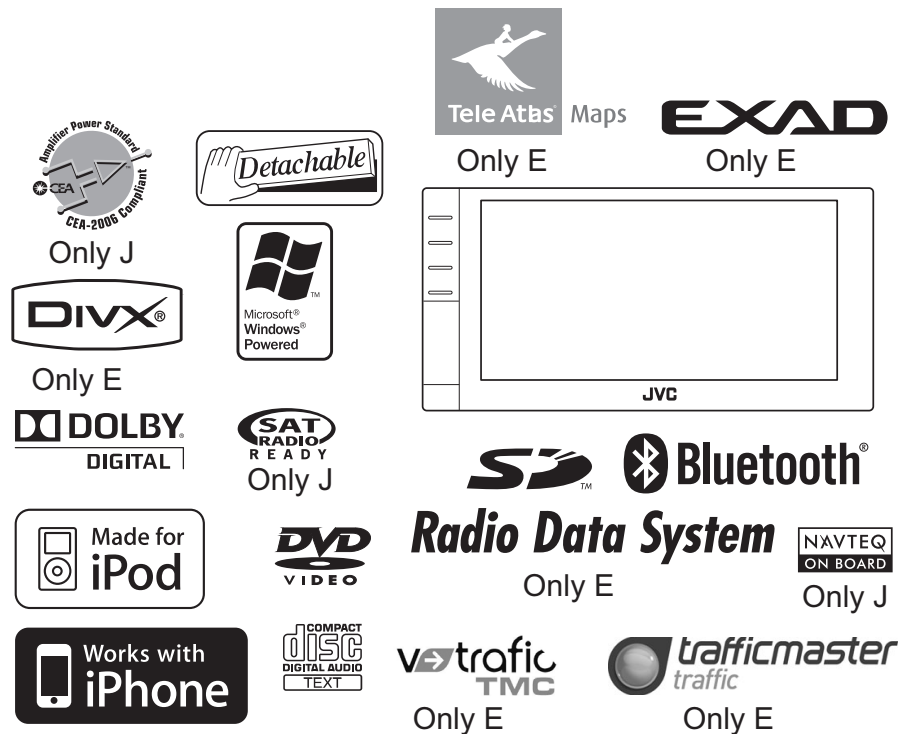


# JVC

## SERVICE MANUAL

NAVIGATION/DVD RECEIVER

### KW-NT1J, KW-NT1E



Lead free solder used in the board (material : Sn-Ag-Cu, melting point : 219 Centigrade)  
Lead free solder used in the board (material : Sn-Cu, melting point : 230 Centigrade)

### TABLE OF CONTENTS

1	PRECAUTION .....	1-6
2	SPECIFIC SERVICE INSTRUCTIONS .....	1-9
3	DISASSEMBLY .....	1-10
4	ADJUSTMENT .....	1-18
5	TROUBLESHOOTING .....	1-24

# SPECIFICATION

**KW-NT1J**

<b>NAVIGATION SYSTEM</b>		
System & Service		L1, C/A code
		Global Positioning System
		Standard Positioning Service
Reception System		12-channel multi-channel reception system
Reception Frequency		1 575.42 MHz
Sensitivity		-130 dBm
Update Rate		1/second, continuous
GPS Antenna	Polarization	Right Handed Circular Polarization
	Dimensions (approx.) (W × H × D)	41.0 mm × 15.0 mm × 57.0 mm (1-5/8 inches × 5/8 inch × 2-1/4 inches)
	Cable (approx.)	5.0 m (16.4 feet)
<b>AMPLIFIER</b>		
Power Output		20 W RMS × 4 Channels at 4 Ω and < or = 1% THD+N
Signal-to-Noise Ratio		80 dBA (reference: 1 W into 4 Ω)
Load Impedance		4 Ω (4 Ω to 8 Ω allowance)
Equalizer Control Range	Frequencies	60 Hz, 150 Hz, 400 Hz, 1 kHz, 2.5 kHz, 6.3 kHz, 15 kHz
	Level	±10 dB
Audio Output Level LINE OUT (FRONT/REAR), SUBWOOFER	Line-Out Level/Impedance	2.5 V/20 kΩ load (full scale)
	Output Impedance	1 kΩ
Color System	NTSC/PAL	
Video Output (composite)	1 Vp-p/75 Ω	
Other Terminals	Input	USB, Front AV-IN, LINE IN, VIDEO IN, CAMERA IN, Antenna input, MIC IN
	Output	VIDEO OUT
	Others	OE REMOTE, DIGITAL OUT, Satellite unit connector
<b>FM/AM TUNER</b>		
Frequency Range	FM (with channel interval set to 100 kHz or 200 kHz)	87.5 MHz to 107.9 MHz
	FM (with channel interval set to 50 kHz)	87.5 MHz to 108.0 MHz
	AM (with channel interval set to 10 kHz)	530 kHz to 1 710 kHz
	AM (with channel interval set to 9 kHz)	531 kHz to 1 602 kHz
FM Tuner	Usable Sensitivity	11.3 dBf (1.0 μV/75 Ω)
	50 dB Quieting Sensitivity	16.3 dBf (1.8 μV/75 Ω)
	Alternate Channel Selectivity (400 kHz)	65 dB
	Frequency Response	40 Hz to 15 000 Hz
	Stereo Separation	35 dB
AM Tuner	Sensitivity/Selectivity	20 μV/40 dB
<b>DVD/CD</b>		
Signal Detection System		Non-contact optical pickup (semiconductor laser)
Frequency Response	DVD, fs=48 kHz/96 kHz	16 Hz to 22 000 Hz
	CD	16 Hz to 20 000 Hz
Dynamic Range		93 dB
Signal-to-Noise Ratio		95 dB
Wow and Flutter		Less than measurable limit

<b>SD</b>		
Compatible File System		FAT 32/16/12
Capacity		8 Mbytes to 2 Gbytes
Data Transfer Rate		Maximum 10 Mbps
<b>USB</b>		
USB Standards		USB 2.0 Full Speed
Data Transfer Rate		Full Speed: Maximum 12 Mbps
		Low Speed: Maximum 1.5 Mbps
Compatible Device		Mass storage class
Compatible File System		FAT 32/16/12
Max. Current		DC 5 V 500 mA
<b>BLUETOOTH</b>		
Version		Bluetooth 1.2 certified
Output Power		+4 dBm Max. (Power class 2)
Service Area		Within 10 m (10.9 yd)
Profile		HFP (Hands-Free Profile) 1.5
		OPP (Object Push Profile) 1.1
<b>MONITOR</b>		
Screen Size		6.1 inch wide liquid crystal display
Number of Pixel		336 960 pixels: 480 × 3 (horizontal) × 234 (vertical)
Drive Method		TFT (Thin Film Transistor) active matrix format
Color System		NTSC/PAL
Aspect Ratio		16:9 (wide)
<b>GENERAL</b>		
Power Requirement	Operating Voltage	DC 14.4 V (11 V to 16 V allowance)
Grounding System		Negative ground
Allowable Storage Temperature		-10°C to +60°C (14°F to 140°F)
Allowable Operating Temperature		0°C to +40°C (32°F to 104°F)
Dimensions (W × H × D) (With trim plate and sleeve attached)	Installation Size (approx.)	182 mm × 111 mm × 161 mm (7-3/16" × 4-3/8" × 6-3/8")
	Panel Size (approx.)	188 mm × 117 mm × 10 mm (7-7/16" × 4-5/8" × 7/16")
Mass (approx.)		2.4 kg (5.3 lbs) (including trims and sleeve)

Design and specifications are subject to change without notice.

**KW-NT1E**

<b>NAVIGATION SYSTEM</b>		
System & Service		L1, C/A code
		Global Positioning System
		Standard Positioning Service
Reception System		12-channel multi-channel reception system
Reception Frequency		1 575.42 MHz
Sensitivity		-130 dBm
Update Rate		1/second, continuous
GPS Aerial	Polarization	Right Handed Circular Polarization
GPS Aerial	Dimensions (approx.) (W × H × D)	41.0 mm × 15.0 mm × 57.0 mm
	Cable (approx.)	5.0 m
<b>AMPLIFIER</b>		
Maximum Power Output	Front/Rear	50 W per channel
Continuous Power Output (RMS)	Front/Rear	20 W per channel into 4 Ω, 40 Hz to 20 000 Hz at no more than 0.8% total harmonic distortion
Load Impedance		4 Ω (4 Ω to 8 Ω allowance)
Equalizer Control Range	Frequencies	60 Hz, 150 Hz, 400 Hz, 1 kHz, 2.5 kHz, 6.3 kHz, 15 kHz
	Level	±10 dB
Signal-to-Noise Ratio		70 dB
Audio Output Level LINE OUT (FRONT/REAR), SUBWOOFER	Line-Out Level/Impedance	2.5 V/20 kΩ load (full scale)
	Output Impedance	1 kΩ
Colour System		PAL
Video Output (composite)		1 Vp-p/75 Ω
Other Terminals	Input	USB, Front AV-IN, LINE IN, VIDEO IN, CAMERA IN, Aerial input, MIC IN
	Output	VIDEO OUT
	Others	OE REMOTE, DIGITAL OUT
<b>FM/AM TUNER</b>		
Frequency Range	FM	87.5 MHz to 108.0 MHz
	AM	(MW) 522 kHz to 1 620 kHz
		(LW) 144 kHz to 279 kHz
FM Tuner	Usable Sensitivity	11.3 dBf (1.0 μV/75 Ω)
	50 dB Quieting Sensitivity	16.3 dBf (1.8 μV/75 Ω)
	Alternate Channel Selectivity (400 kHz)	65 dB
	Frequency Response	40 Hz to 15 000 Hz
	Stereo Separation	35 dB
MW Tuner	Sensitivity/Selectivity	20 μV/40 dB
LW Tuner	Sensitivity	50 μV
<b>DVD/CD</b>		
Frequency Response	DVD, fs=48 kHz/96 kHz	16 Hz to 22 000 Hz
	CD	16 Hz to 22 000 Hz
Dynamic Range		93 dB
Signal-to-Noise Ratio		95 dB
Wow and Flutter		Less than measurable limit
<b>SD</b>		
Compatible File System		FAT 32/16/12

Capacity	8 Mbytes to 2 Gbytes	
Data Transfer Rate	Maximum 10 Mbps	
<b>USB</b>		
USB Standards	USB 2.0 Full Speed	
Data Transfer Rate	Full Speed: Maximum 12 Mbps	
	Low Speed: Maximum 1.5 Mbps	
Compatible Device	Mass storage class	
Compatible File System	FAT 32/16/12	
Max. Current	DC 5 V 500 mA	
<b>BLUETOOTH</b>		
Version	Bluetooth 1.2 certified	
Output Power	+4 dBm Max. (Power class 2)	
Service Area	Within 10 m (10.9 yd)	
Profile	HFP (Hands-Free Profile) 1.5	
	OPP (Object Push Profile) 1.1	
<b>MONITOR</b>		
Screen Size	6.1 inch wide liquid crystal display	
Number of Pixel	336 960 pixels: 480 × 3 (horizontal) × 234 (vertical)	
Drive Method	TFT (Thin Film Transistor) active matrix format	
Colour System	PAL/NTSC	
Aspect Ratio	16:9 (wide)	
<b>GENERAL</b>		
Power Requirement	Operating Voltage	DC 14.4 V (11 V to 16 V allowance)
Grounding System	Negative ground	
Allowable Storage Temperature	-10°C to +60°C	
Allowable Operating Temperature	0°C to +40°C	
Dimensions (W × H × D)	Installation Size (approx.)	182 mm × 111 mm × 161 mm
With trim plate and sleeve attached	Panel Size (approx.)	188 mm × 117 mm × 10 mm
Mass (approx.)	2.4 kg (including trims and sleeve)	

Design and specifications are subject to change without notice.

# SECTION 1 PRECAUTION

## 1.1 Safety Precautions

- (1) This design of this product contains special hardware and many circuits and components specially for safety purposes. For continued protection, no changes should be made to the original design unless authorized in writing by the manufacturer. Replacement parts must be identical to those used in the original circuits. Services should be performed by qualified personnel only.
- (2) Alterations of the design or circuitry of the product should not be made. Any design alterations of the product should not be made. Any design alterations or additions will void the manufacturer's warranty and will further relieve the manufacturer of responsibility for personal injury or property damage resulting therefrom.
- (3) Many electrical and mechanical parts in the products have special safety-related characteristics. These characteristics are often not evident from visual inspection nor can the protection afforded by them necessarily be obtained by using replacement components rated for higher voltage, wattage, etc. Replacement parts which have these special safety characteristics are identified in the Parts List of Service Manual. Electrical components having such features are identified by shading on the schematics and by ( $\Delta$ ) on the Parts List in the Service Manual. The use of a substitute replacement which does not have the same safety characteristics as the recommended replacement parts shown in the Parts List of Service Manual may create shock, fire, or other hazards.
- (4) The leads in the products are routed and dressed with ties, clamps, tubings, barriers and the like to be separated from live parts, high temperature parts, moving parts and/or sharp edges for the prevention of electric shock and fire hazard. When service is required, the original lead routing and dress should be observed, and it should be confirmed that they have been returned to normal, after reassembling.

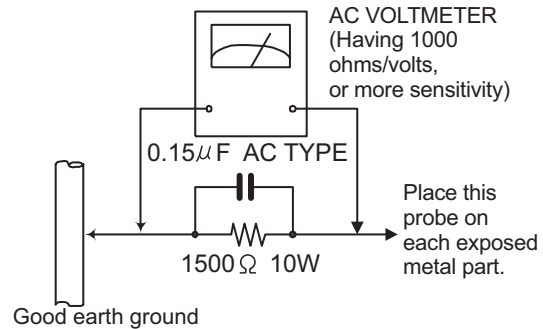
### (5) Leakage shock hazard testing

After reassembling the product, always perform an isolation check on the exposed metal parts of the product (antenna terminals, knobs, metal cabinet, screw heads, headphone jack, control shafts, etc.) to be sure the product is safe to operate without danger of electrical shock. Do not use a line isolation transformer during this check.

- Plug the AC line cord directly into the AC outlet. Using a "Leakage Current Tester", measure the leakage current from each exposed metal part of the cabinet, particularly any exposed metal part having a return path to the chassis, to a known good earth ground. Any leakage current must not exceed 0.5mA AC (r.m.s.).
- Alternate check method  
Plug the AC line cord directly into the AC outlet. Use an AC voltmeter having, 1,000 $\Omega$  per volt or more sensitivity in the following manner. Connect a 1,500 $\Omega$  10W resistor paralleled by a 0.15 $\mu$ F AC-type capacitor between an exposed metal part and a known good earth ground. Measure the AC voltage across the resistor with the AC

voltmeter.

Move the resistor connection to each exposed metal part, particularly any exposed metal part having a return path to the chassis, and measure the AC voltage across the resistor. Now, reverse the plug in the AC outlet and repeat each measurement. Voltage measured any must not exceed 0.75 V AC (r.m.s.). This corresponds to 0.5 mA AC (r.m.s.).



## 1.2 Warning

- (1) This equipment has been designed and manufactured to meet international safety standards.
- (2) It is the legal responsibility of the repairer to ensure that these safety standards are maintained.
- (3) Repairs must be made in accordance with the relevant safety standards.
- (4) It is essential that safety critical components are replaced by approved parts.
- (5) If mains voltage selector is provided, check setting for local voltage.

## 1.3 Caution

**Burrs formed during molding may be left over on some parts of the chassis.**

**Therefore, pay attention to such burrs in the case of pre-forming repair of this system.**

## 1.4 Critical parts for safety

In regard with component parts appearing on the silk-screen printed side (parts side) of the PWB diagrams, the parts that are printed over with black such as the resistor (■), diode (■) and ICP (●) or identified by the " $\Delta$ " mark nearby are critical for safety. When replacing them, be sure to use the parts of the same type and rating as specified by the manufacturer. (This regulation does not Except the J and C version)

## 1.5 Preventing static electricity

Electrostatic discharge (ESD), which occurs when static electricity stored in the body, fabric, etc. is discharged, can destroy the laser diode in the traverse unit (optical pickup). Take care to prevent this when performing repairs.

### 1.5.1 Grounding to prevent damage by static electricity

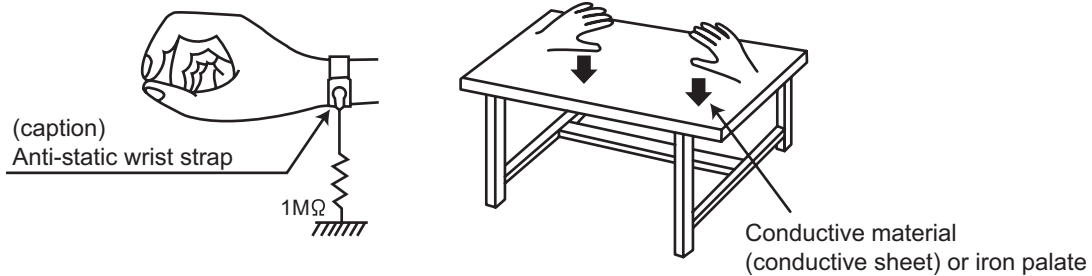
Static electricity in the work area can destroy the optical pickup (laser diode) in devices such as laser products. Be careful to use proper grounding in the area where repairs are being performed.

(1) Ground the workbench

Ground the workbench by laying conductive material (such as a conductive sheet) or an iron plate over it before placing the traverse unit (optical pickup) on it.

(2) Ground yourself

Use an anti-static wrist strap to release any static electricity built up in your body.



(3) Handling the optical pickup

- In order to maintain quality during transport and before installation, both sides of the laser diode on the replacement optical pickup are shorted. After replacement, return the shorted parts to their original condition. (Refer to the text.)
- Do not use a tester to check the condition of the laser diode in the optical pickup. The tester's internal power source can easily destroy the laser diode.

## 1.6 Handling the traverse unit (optical pickup)

(1) Do not subject the traverse unit (optical pickup) to strong shocks, as it is a sensitive, complex unit.

(2) Cut off the shorted part of the flexible cable using nippers, etc. after replacing the optical pickup. For specific details, refer to the replacement procedure in the text. Remove the anti-static pin when replacing the traverse unit. Be careful not to take too long a time when attaching it to the connector.

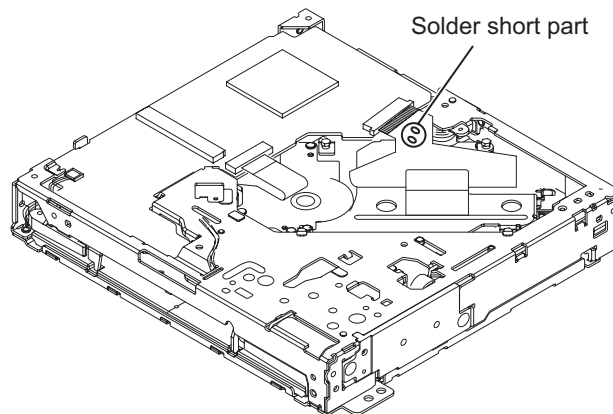
(3) Handle the flexible cable carefully as it may break when subjected to strong force.

(4) It is not possible to adjust the semi-fixed resistor that adjusts the laser power. Do not turn it.

## 1.7 Attention when traverse unit is decomposed

**\*Please refer to "Disassembly method" in the text for the pickup unit.**

- Apply solder to the short land sections before the card wire is disconnected from the connector on the servo board. (If the card wire is disconnected without applying solder, the pickup may be destroyed by static electricity.)
- In the assembly, be sure to remove solder from the short land sections after connecting the card wire.



## 1.8 Important for laser products

### 1.CLASS 1 LASER PRODUCT

#### 2.CAUTION :

(For U.S.A.) Visible and/or invisible class II laser radiation when open. Do not stare into beam.

(Others) Visible and/or invisible class 1M laser radiation when open. Do not view directly with optical instruments.

**3.CAUTION :** Visible and/or invisible laser radiation when open and inter lock failed or defeated. Avoid direct exposure to beam.

**4.CAUTION :** This laser product uses visible and/or invisible laser radiation and is equipped with safety switches which prevent emission of radiation when the drawer is open and the safety interlocks have failed or are defeated. It is dangerous to defeat the safety switches.

(For U.S.A.)

**CAUTION :** Visible and/or invisible class II laser radiation when open. Do not stare into beam.

(Others)

**CAUTION :** Visible and/or invisible class 1M laser radiation when open. Do not view directly with optical instruments

**ACHTUNG:** Sichtbare und/oder unsichtbare Laserstrahlung der Klasse 1M bei offenen Abdeckungen. Nicht direkt mit optischen Instrumenten betrachten.

**ATTENTION:** Rayonnement laser visible et/ou invisible de classe 1M une fois ouvert. Ne pas regarder directement avec des instruments optiques.

**VOORZICHTIG:** Zichtbare en/of onzichtbare klasse 1M laserstralen indien geopend. Bekijk niet direct met optische instrumenten.

**ATTENZIONE:** Radiazione laser in classe 1M visibile e/o invisibile quando aperto. Non osservare direttamente con strumenti ottici.

**WARNING:** Synlig och/eller osynlig laserstrålning, klass 1M, när denna del är öppnad. Betrakta ej strålen med optiska instrument.

**VARO!** Avattaessa olet alttiina näkyvalle ja/tai näkymättömälle luokan 1M lasersäteilylle. Älä tarkastele sitä optisen laitteen läpi.

**ADVASEL:** Synlig og/eller usynlig klasse 1M-laserstråling ved åbning. Se ikke direkte med optiske instrumenter.

**AVISO:** Radiación láser de clase 1M visible y/o invisible cuando está abierto. No mirar directamente con instrumental óptico.

**PRECAUÇÃO:** Radiação laser de classe 1M visível e/ou invisível quando aberto. Não olhe diretamente com instrumentos ópticos.

**5.CAUTION :** If safety switches malfunction, the laser is able to function.

**6.CAUTION :** Use of controls, adjustments or performance of procedures other than those specified here in may result in hazardous radiation exposure.



**CAUTION** Please use enough caution not to see the beam directly or touch it in case of an adjustment or operation check.

**PRECAUÇÃO:** Radiação laser de classe 1M visível e/ou invisível quando aberto. Não olhe diretamente com instrumentos ópticos.

**ПРЕДУПРЕЖДЕНИЕ:** В открытом состоянии происходит видимое и/или невидимое излучение лазера класса 1M. Не смотрите непосредственно в оптические инструменты.

**UWAGA:** Otwarcie spowoduje narażenie na widzialne i/lub niewidzialne promieniowanie lasera klasy 1M. Nie patrzeć bezpośrednio w przyrządy optyczne.

**UPOZORNĚNÍ:** Při otevření vydává viditelné popř. neviditelné laserové ozáření třídy 1M. Nedívejte se do otvoru přímo s optickými nástroji.

**FIGYELMEZTETÉS:** Látható és/vagy láthatatlan 1M osztályú sugárzás nyitott állapotban. Ne nézze közvetlenül optikai műszerekkel.

**注意:** 打開蓋板可能會產生可見或不可見的 1M 級鐳射。不要使用光學儀器直接進行窺視。

**注意:** 打开蓋板可能会产生可见或不可见的 1M 级鐳射。不要使用光学仪器直接进行窺視。

**تنبيه:** يوجد إشعاع ليزري مرئي و/أو غير مرئي من الفئة 1M عندما يكون الجهاز مفتوحاً. تجنب النظر مباشرة داخل الجهاز باستخدام أدوات بصرية.

**احتياط:** هنگامی که باز گردد، تشعشع مرئی و یا نامرئی کلاس 1M لیزر وجود دارد. با لوازم چشمی مستقیماً به آن نگاه نکنید.

**주의:** 개방하면 가시 및/또는 비가시 클래스 1M 레이저 방사선이 나옵니다. 광학 기구로 직접 들여다보지 마십시오.

## REPRODUCTION AND POSITION OF LABELS and PRINT WARNING LABEL and PRINT



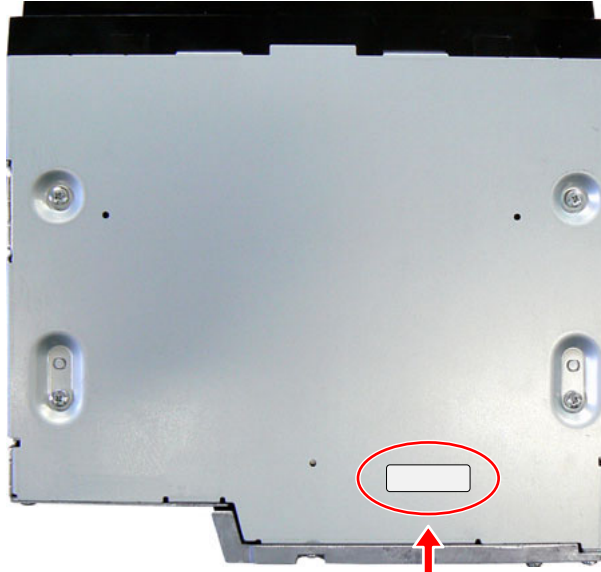
<b>CAUTION</b> VISIBLE AND/OR INVISIBLE CLASS 1M LASER RADIATION WHEN OPEN. DO NOT VIEW DIRECTLY WITH OPTICAL INSTRUMENTS. IEC60825-1:2001 (ENG)	<b>ATTENTION</b> RAYONNEMENT LASER VISIBLE ET/OU INVISIBLE DE CLASSE 1M UNE FOIS OUVERT. NE PAS REGARDER DIRECTEMENT AVEC DES INSTRUMENTS OPTIQUES. (FRA)	<b>AVISO</b> RADIACIÓN LASER DE CLASE 1M VISIBLE Y/O INVISIBLE CUANDO ESTÁ ABIERTO. NO MIRAR DIRECTAMENTE CON INSTRUMENTAL ÓPTICO. (ESP)	<b>WARNING</b> SYNLIG OCH/ELLER OSYNLIG LASERSTRÅLNING, KLASS 1M, NÄR DENNA DEL ÄR ÖPPNAD. BETRAKTA EJ STRÅLEN MED OPTISKA INSTRUMENT. (SWE)	<b>注意</b> ニモ見なくと可視 及び/または不可視 のクラス1M レーザー放射が 出ます。 光学装置で直接 見ないでください。 (JPN)	<b>CAUTION</b> VISIBLE AND/OR INVISIBLE CLASS II LASER RADIATION WHEN OPEN. DO NOT STARE INTO BEAM. FDA 21 CFR (ENG) LV44633-003A
--	--	---	---	--	---



## SECTION 2 SPECIFIC SERVICE INSTRUCTIONS

### 2.1 Identification method

Supported reduction in cost, and board contents or mechanism were changed.  
A set put the following label on is an object.



Label position



Change pwb and mechanizm parts

Change mechanizm parts

## SECTION 3 DISASSEMBLY

### 3.1 Main body (Used figure are KW-NT1J)

#### 3.1.1 Removing the Top cover (See Fig.1)

- (1) Remove the five screws **A** attaching the Top cover.

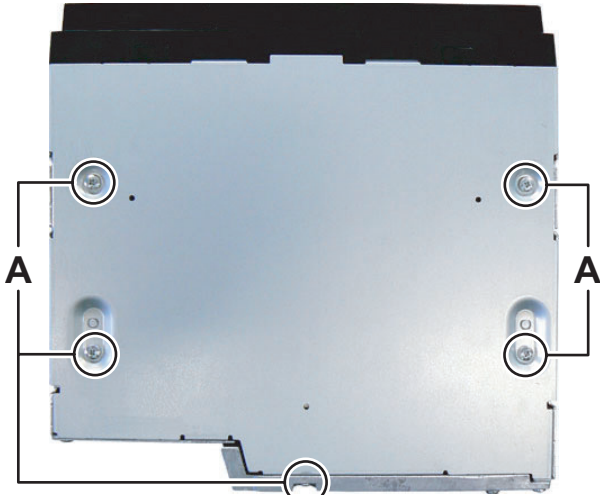


Fig.1

#### 3.1.2 Removing the Front chassis (See Fig.2 to 4)

- (1) Remove the six screw caps **B** attached to Front chassis.  
(See Fig.2)

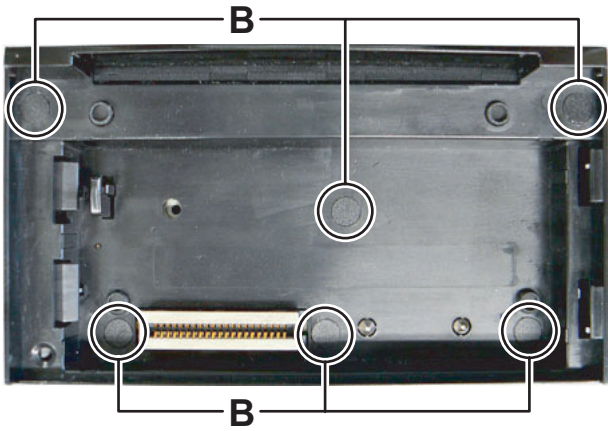


Fig.2

- (2) Remove the six screws **C** attaching the Front chassis. (See Fig.3)

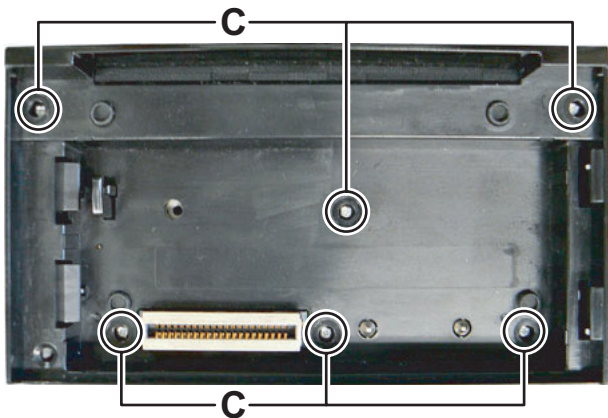


Fig.3

- (3) Disengage four hooks **a** engaged Front chassis. (See Fig.4)

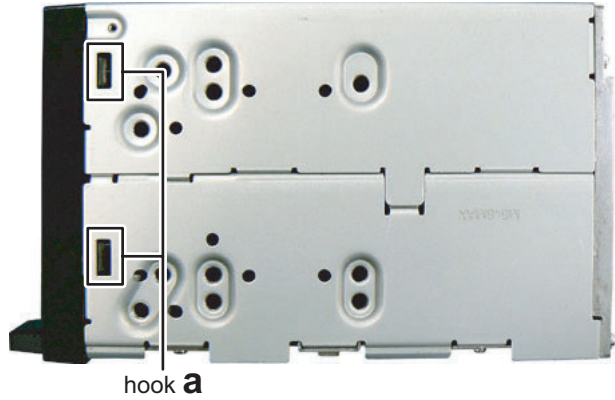


Fig.4

#### 3.1.3 Removing the Detach board (See Fig.5)

- (1) Remove the four screws **D** attaching the NAVI board.

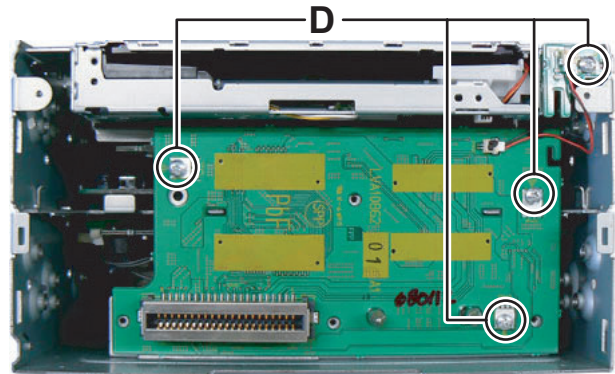


Fig.5

#### 3.1.4 Removing the DVD mechanism (See Fig.6)

- (1) Remove the four screws **E** attaching the DVD mechanism.

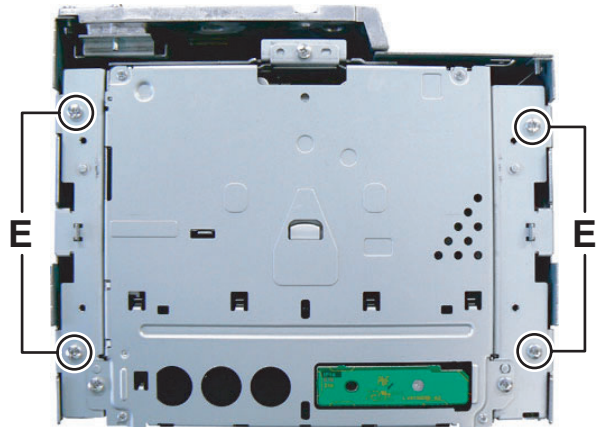


Fig.6

**3.1.5 Removing the Front end board (See Fig.7)**

- (1) Disconnect the card wire from DVD board connected to connector **CN461** of the Front end board.
- (2) Remove the four screws **F** attaching the Front end board.

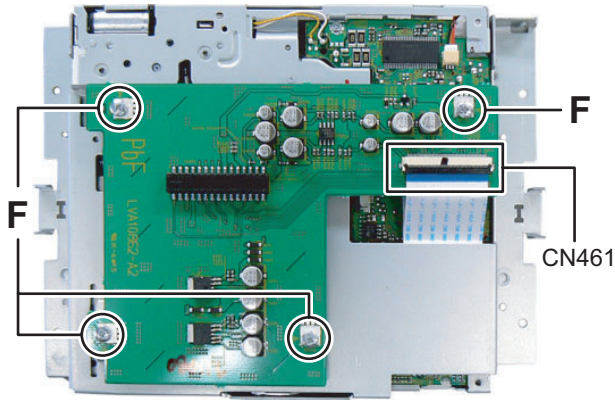


Fig.7

**3.1.6 Removing the Heat sink (See Fig.8, 9)**

- (1) Disconnect the connector wire from FAN connected to connector **CN325** of the Sub board. (See Fig.8)

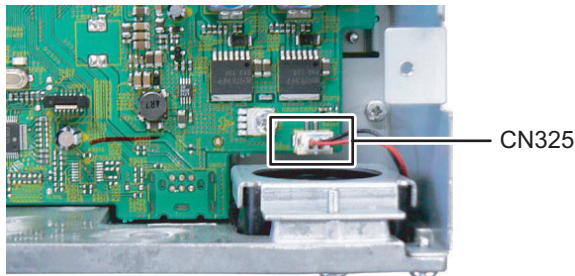


Fig.8

- (2) Remove the three screws **G** and three screws **H** attaching the Heat sink. (See Fig.9)

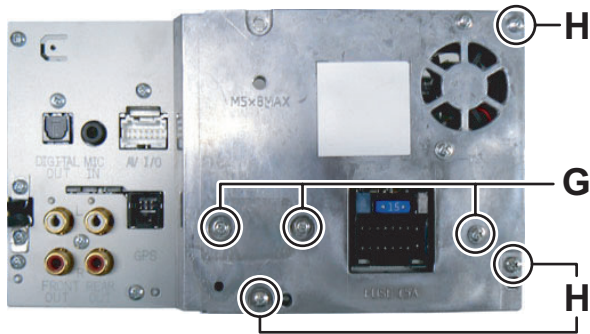


Fig.9

**3.1.7 Removing the Rear bracket (See Fig.10)**

- (1) Remove the six screws **J** and two screws **K** attaching the Rear bracket.

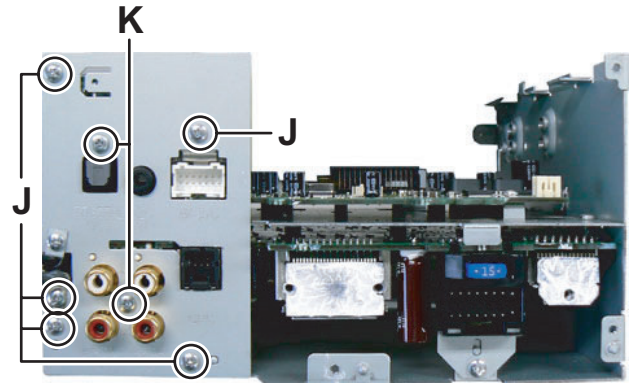


Fig.10

**3.1.8 Removing the Sub board (See Fig.11)**

- (1) Remove the five screws **L** attaching the Sub board.

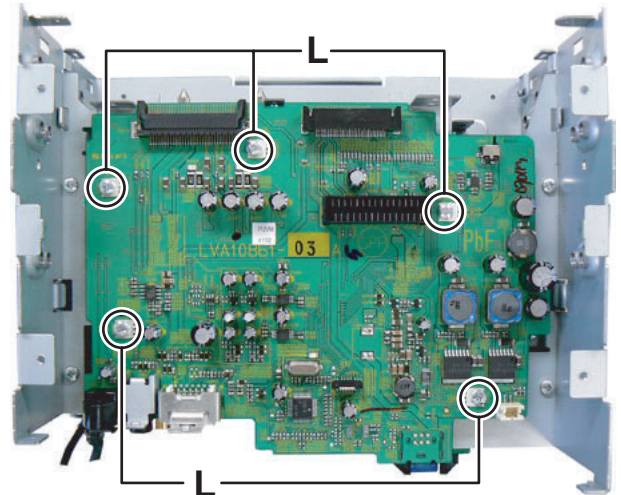


Fig.11

**3.1.9 Removing the Bottom chassis (See Fig.12)**

- (1) Remove the four screws **M** attaching the Bottom chassis.

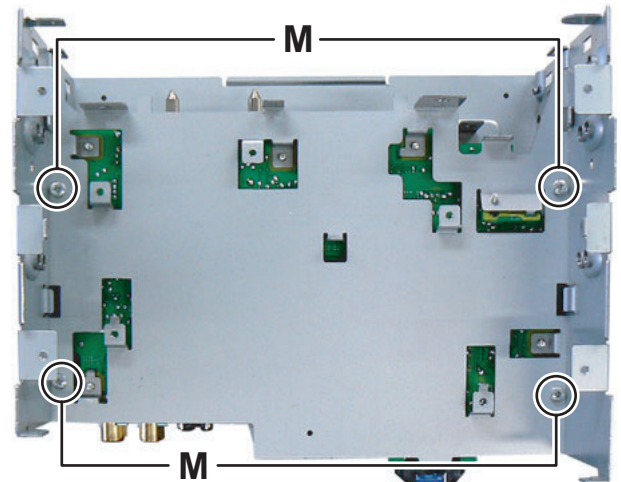


Fig.12

### 3.1.10 Removing the Main board (See Fig.13)

- (1) Disconnect the connector wire from Gyro sensor board connected to connector [CN261](#) of the Main board.
- (2) Remove the five screws **N** attaching the Main board.

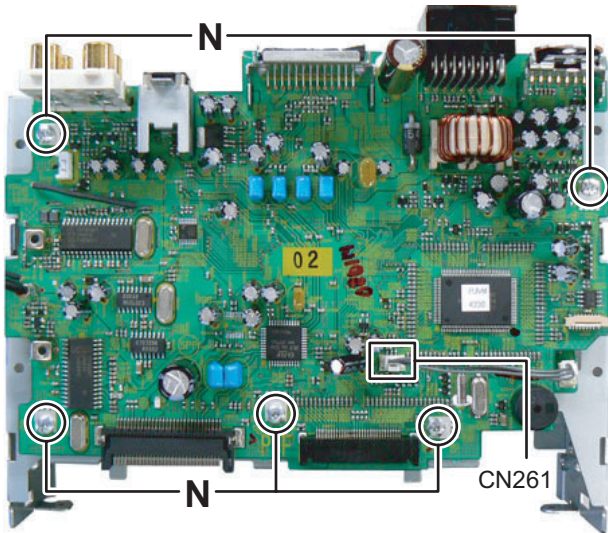


Fig.13

### 3.1.11 Removing the Gyro sensor board (See Fig.14)

- (1) Remove the one screw **P** attaching the Gyro sensor board.

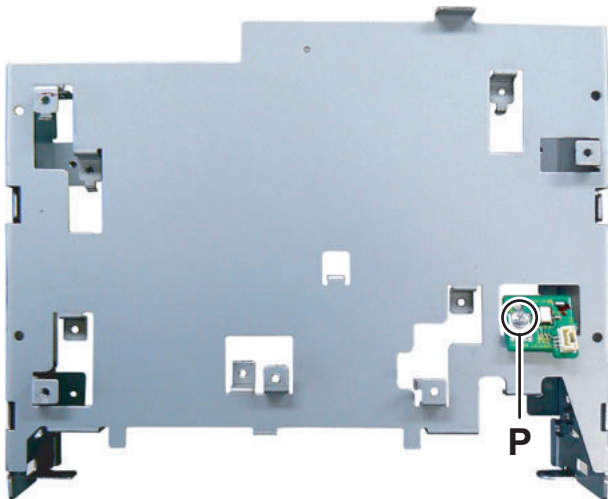


Fig.14

### 3.1.12 Removing the Rear cover (See Fig.15)

- (1) Remove the six screws **Q** and four screws **R** attaching the Rear cover.
- (2) Disengage ten hooks **b** engaged Rear cover.

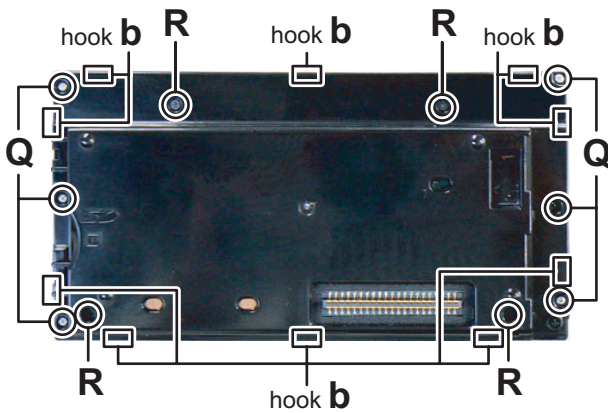


Fig.15

### 3.1.13 Removing the NAVI board (See Fig.16 to 18)

- (1) Remove the five screws **S** attaching the Shield top. (See Fig.16)

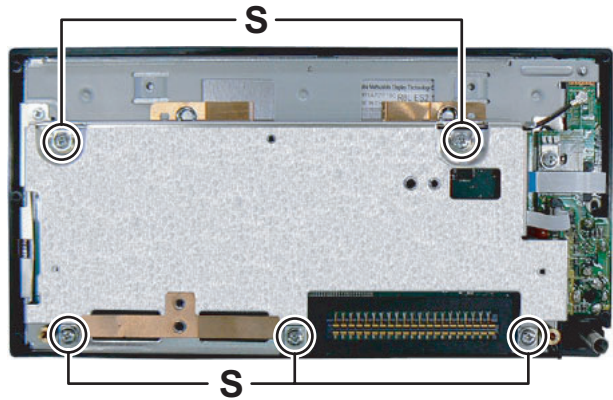


Fig.16

- (2) Disconnect the card wire from Jack board connected to connector [CN671](#) of the NAVI board. (See Fig.17)

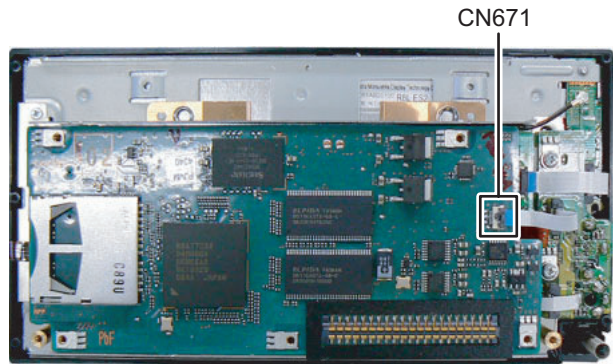


Fig.17

- (3) Turn over the NAVI board, disconnect the card wire from Panel board connected to connector [CN622](#) of the NAVI board. (See Fig.18)

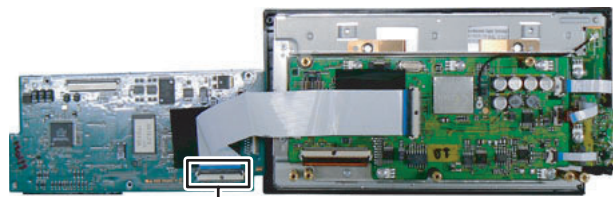


Fig.18

Fig.18

### 3.1.14 Removing the Panel board (See Fig.19)

- (1) Disconnect the FPC from LCD module connected to connector [CN911](#), [CN941](#) and [CN951](#) of the Panel board.
- (2) Disconnect the card wire from Jack board connected to connector [CN971](#) of the Panel board.
- (3) Disconnect the connector wire from BT antenna board connected to BT module.
- (4) Remove the five screws **T** attaching the Panel board.

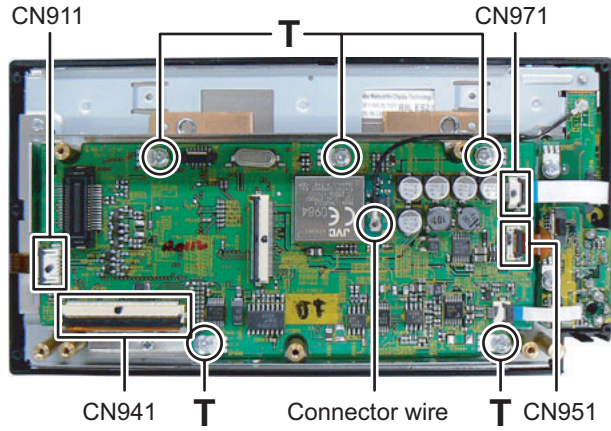


Fig.19

### 3.1.15 Removing the Jack board (See Fig.20)

- (1) Remove the two screws **U** attaching the Jack board.

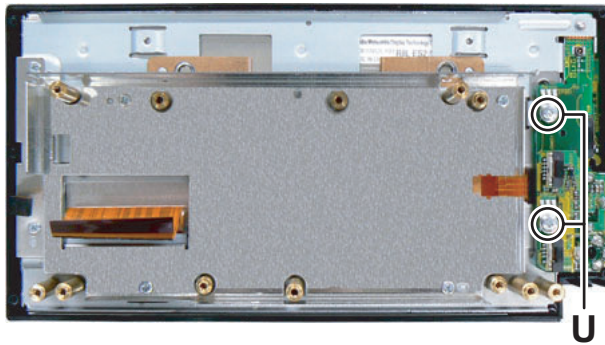


Fig.20

### 3.2 DVD mechanism assembly section

#### 3.2.1 Removing the Traverse mechanism assembly (See Fig.1 to 6)

- (1) Solder the short land section on the flexible wire of pickup. (See Fig.1)

**Caution:**

\* Solder the short land section on the flexible wire of pickup before disconnecting the flexible wire from the connector **CN101** on the Front end board.

If the flexible wire is disconnected without attaching the solder, the pickup may be destroyed by static electricity.

\* When attaching the Traverse mechanism assembly, remove the solder from the short land section after connection the flexible wire to the connector **CN101** on the Front end board.

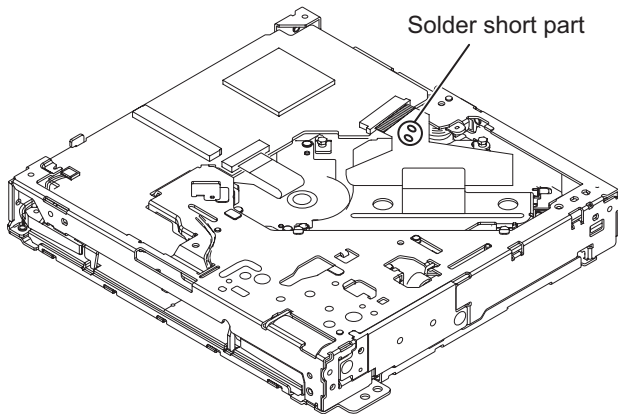


Fig.1

- (2) Voltage supply to **TP79** and **TP81** approx DC 3.0V until Clamper is shift to loading complete position. (See Fig.2)
- (3) Disconnect the flexible wires from Traverse mechanism assembly connected to connector **CN101** and **CN164** of the Front end board. (See Fig.2)

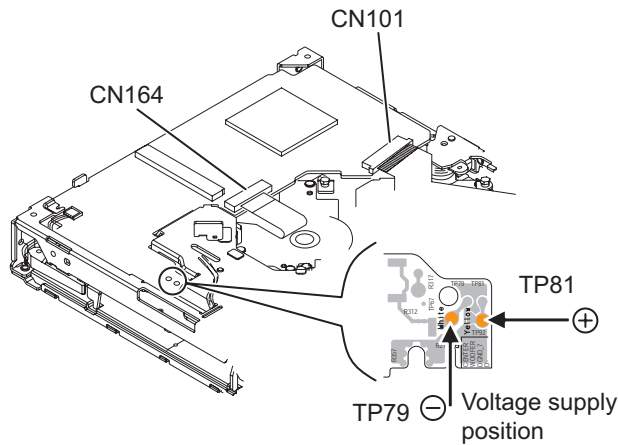


Fig.2

- (4) Remove the five screws **A** attaching the Top cover assembly. (See Fig.3)

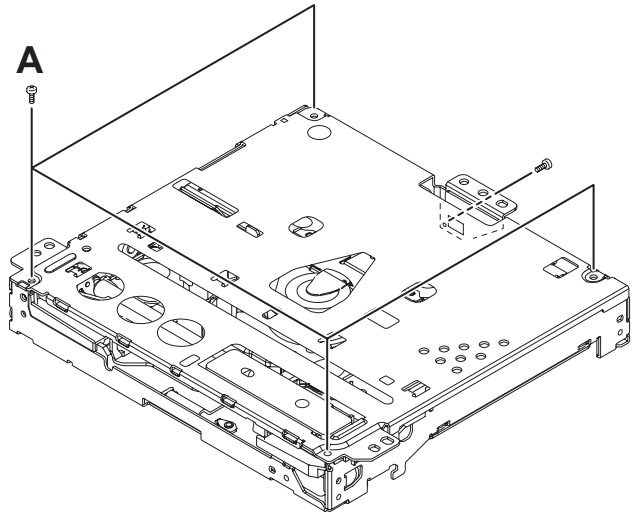


Fig.3

- (5) From the bottom side, disconnect the connector wire from Top cover assembly connected to connector **CN2** of the Front end board. (See Fig.4)

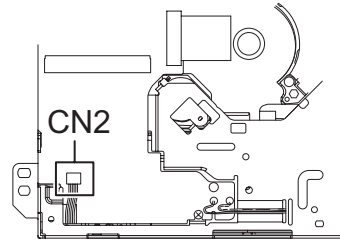


Fig.4

- (6) From the bottom side, remove the spring from Traverse mechanism assembly. (See Fig.5)

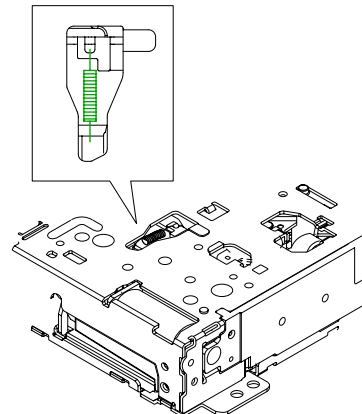


Fig.5

(7) From the top side, pull up the traverse mechanism and disengage three dumper positions. (See Fig.6)

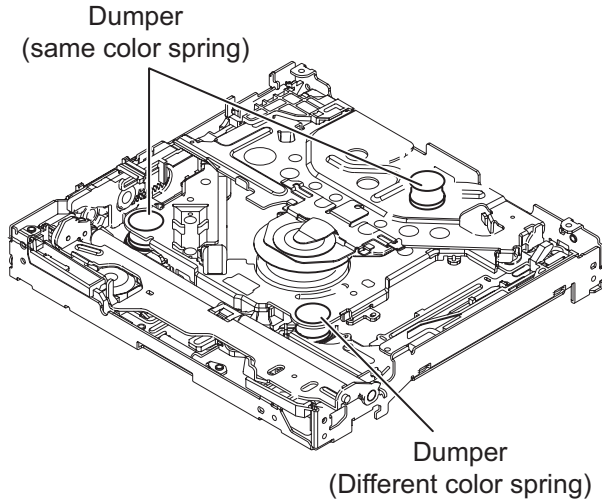


Fig.6

**3.2.2 Removing the Front end board (See Fig.7)**

- (1) Remove the Motor wires from loading motor soldered to [TP79](#) and [TP81](#) of the Front end board.
- (2) Remove the two screws **B** attaching the Front end board.

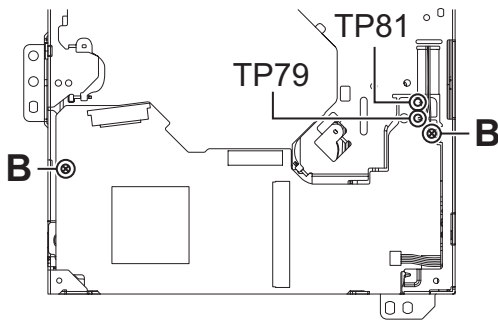


Fig.7

**3.2.3 Removing the Loading arm assembly (See Fig.8)**

- (1) Remove the Loading arm spring L from Loading arm assembly.
- (2) Slide to left side and then disengage hook **a** then hook **b**.

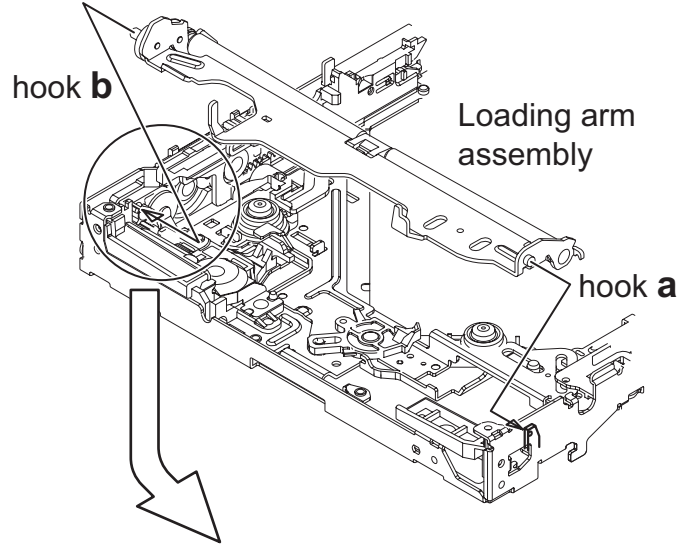


Fig.8

**3.2.4 Removing the Gear base assembly (See Fig.9, 10)**

- (1) Remove the Loading arm spring L. (See Fig.9)

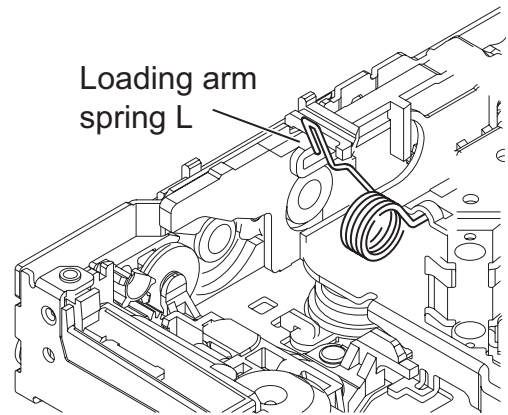


Fig.9

- (2) Remove the two screws **C** attaching the Gear base assembly.  
(See Fig.10)

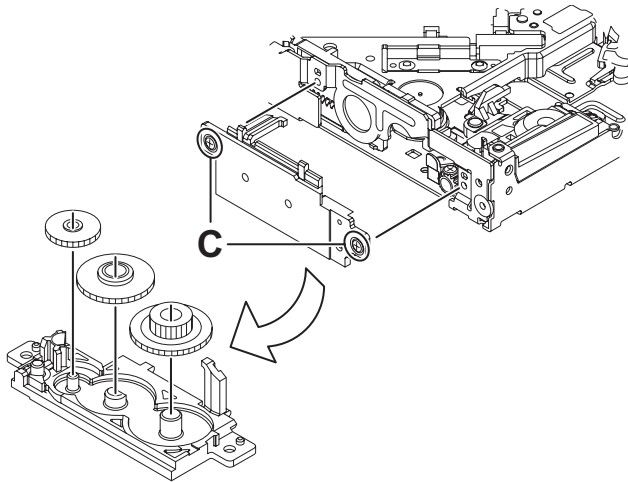


Fig.10

**3.2.5 Removing the Loading arm holder. (See Fig.11)**

- (1) Remove the two screws **D** attaching the Loading arm holder.  
(2) Remove the Loading arm spring **R**.

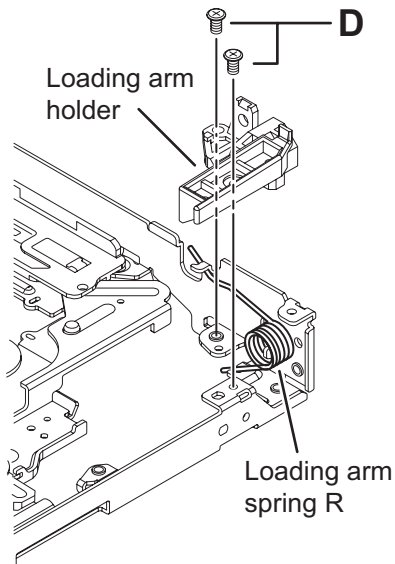


Fig.11

**3.2.6 Removing the Loading motor assembly (See Fig.12)**

- (1) Remove the three screws **E** attaching the Loading motor assembly.

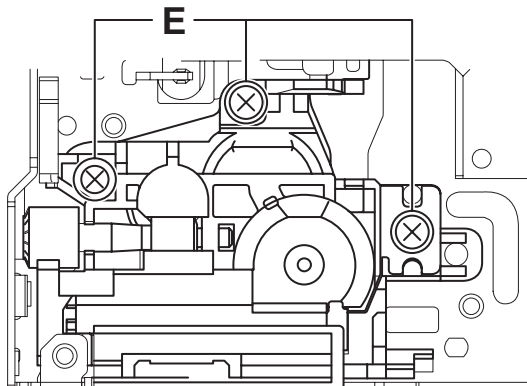


Fig.12

**3.2.7 Removing the Slide cam assembly (See Fig.13)**

- (1) Slide to backward the Slide cam assembly and the remove the Slide cam spring.  
(2) Slide to forward the slide cam assembly, and then take out it.

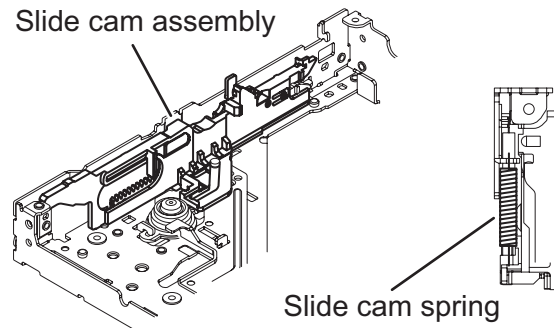


Fig.13

**3.2.8 Removing the Photo board (See Fig.14)**

- (1) Pressing the hook **c** and then slide to backward (slide to the arrow side) the Disc plate.  
(2) Remove the one screw **F** attaching the Photo board.

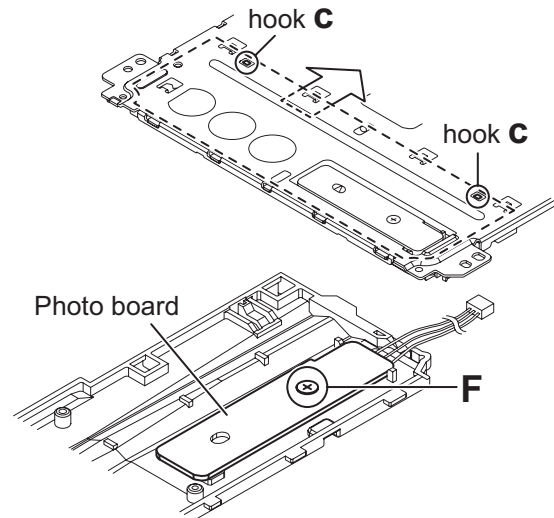


Fig.14

**3.2.9 Removing the Loading motor (See Fig.15 to 18)**

- (1) Remove the A wheel gear. (See Fig.15)

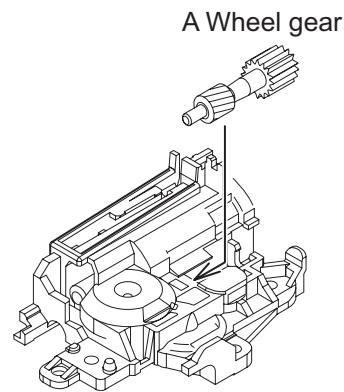


Fig.15



- (2) Remove the A worm gear, M connect gear and M wheel gear by sequentially. (See Fig.16)

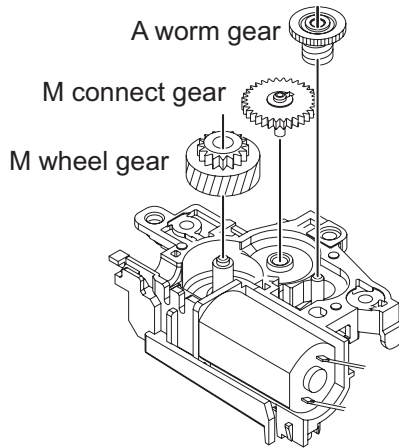


Fig.16

- (3) Remove the two screws **G** attaching the Loading motor. (See Fig.17)

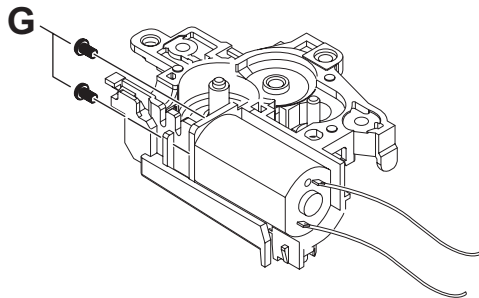


Fig.17

- (4) When attaching the Loading motor, motor wire should arrange to figure. (See Fig.18)

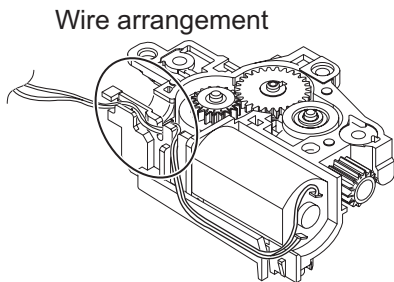


Fig.18

### 3.2.10 Removing the Roller assembly (See Fig.19)

- (1) Remove the Slit washer.
- (2) Remove the R middle gear.
- (3) Remove the R connect gear.
- (4) Snap off the part **a** of the Roller assembly.
- (5) Lift up the part **b** of the Roller assembly, and then release part **c** (When release part **c**, R collar R is easy to come off, does not lose it).

#### CAUTION:

When reattach the Roller assembly, Middle gear should keep direction and Slit washer should be change new part.

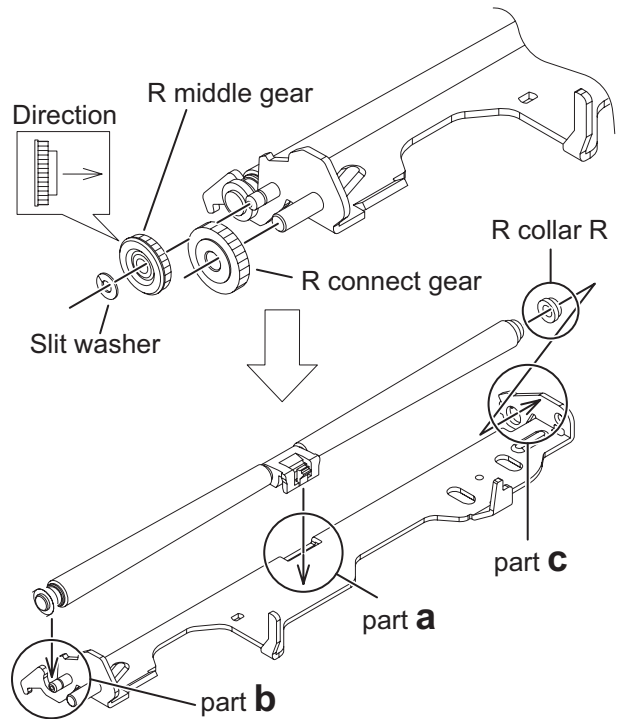


Fig.19

### 3.2.11 Removing the Roller (See Fig.20)

- (1) Remove the Slit washer.
- (2) Pull out the Roller shaft.

#### CAUTION:

When reattach the Roller shaft, Slit washer should be change new part.

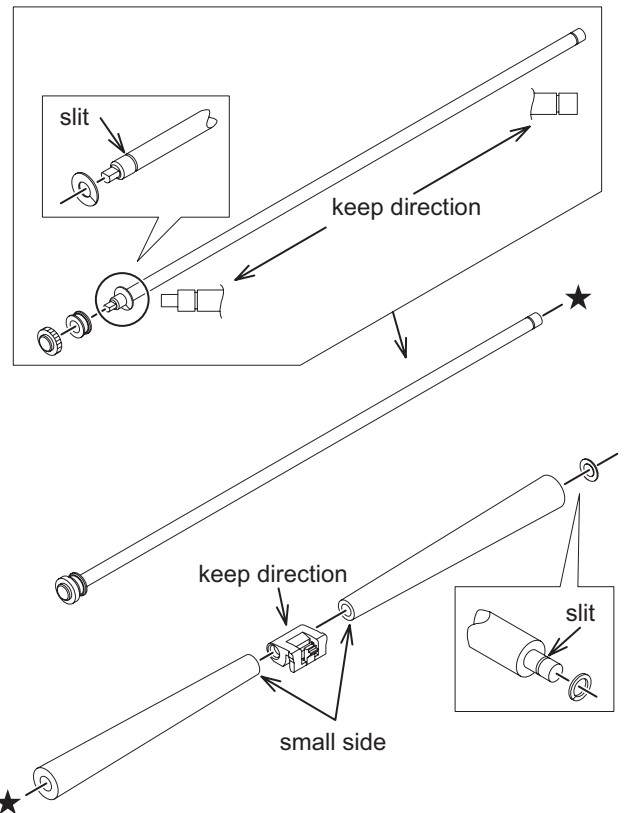


Fig.20

# SECTION 4 ADJUSTMENT

## 4.1 Test instruments required for adjustment

- (1) Digital oscilloscope (100MHz)
- (2) Digital tester
- (3) Test Disc
- (4) Extension cable : EXTXD001-50PF (CN403 - CN461)  
 EXTDV002-30P (CN351 - CN451)  
 EXTFP001-30P (CN302 - CN442)  
 EXTFP001-60PF (CN301 - CN421)  
 EXTFP001-42P (CN401 - CN681)  
 EXTNT001-30PF (CN921 - CN951)
- (5) Extension stud : STDV001-3P

## 4.2 Standard measuring conditions

Power supply voltage DC14.4V(10.5 to 16V)  
 Load impedance 20K ohm (2 Speakers connection)  
 Output Level Line out 2.5V (Vol. MAX)

## 4.3 Standard volume position

Balance and Bass & Treble volume : Indication "0"  
 Loudness : OFF

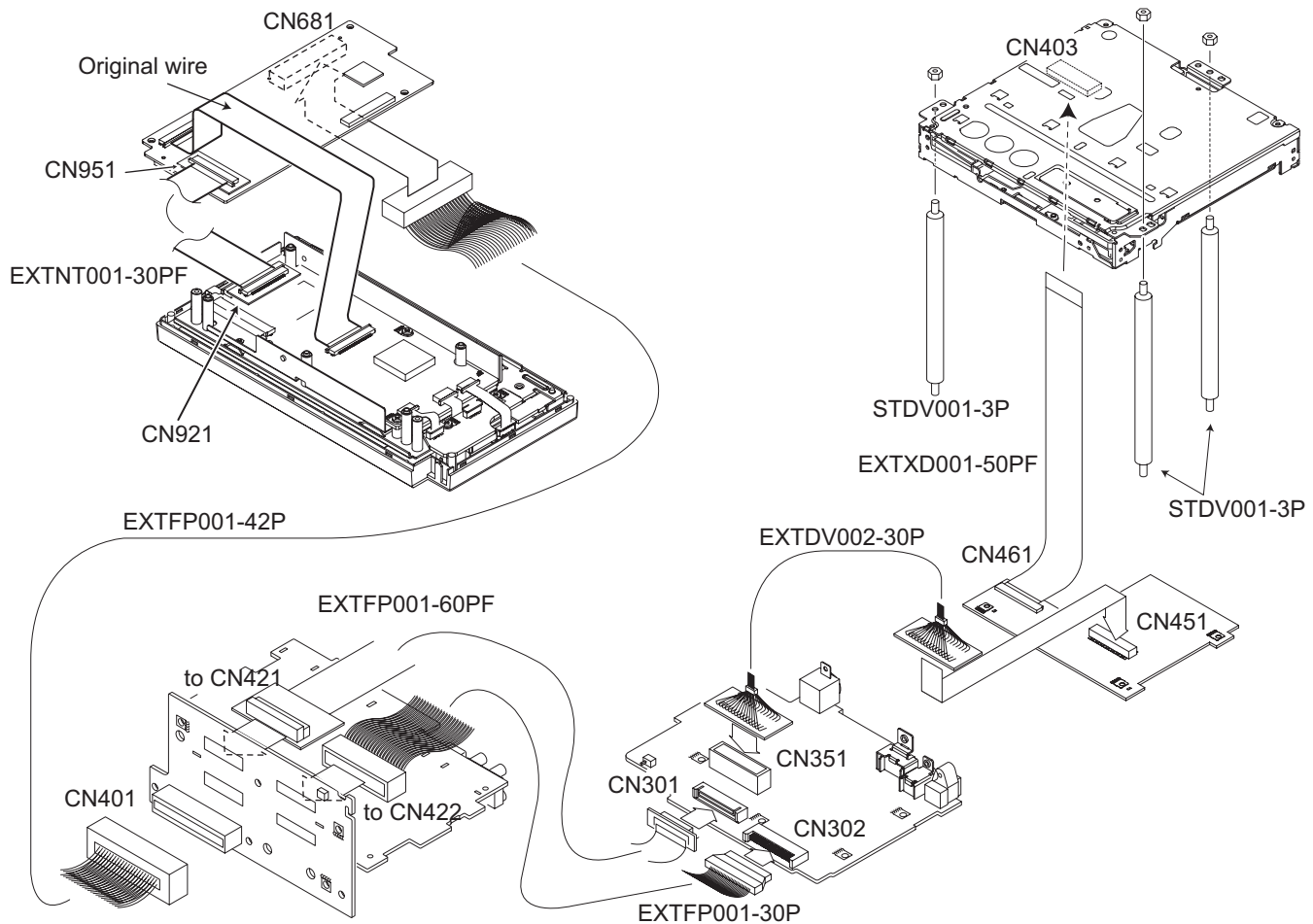
## 4.4 Dummy load

Exclusive dummy load should be used for AM, and FM.  
 For FM dummy load, there is a loss of 6dB between SSG output and antenna input.  
 The loss of 6dB need not be considered since direct reading of figures are applied in this working standard.

## 4.5 How to connect the extension cable for adjusting

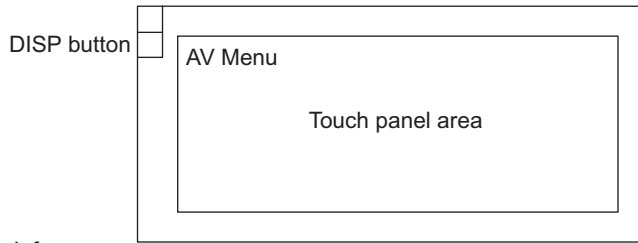
### Caution:

Be sure to attach the heat sink and rear bracket onto the power amplifier IC and regulator IC respectively, before supply the power. If voltage is applied without attaching these parts, the power amplifier IC and regulator IC will be destroyed by heat.



## 4.6 Service Menu

- (1) Set to AV Menu screen.
- (2) Keep this state more 2 seconds while continuing pressing the [DISP] button and [Touch panel (At all area)] sequentially until hear [bip] sound.
- (3) Push the [AV Menu] area of the touch panel within 3 seconds.



Info screen

Service Menu	Info	Adjust
System Info	LCD Test Pattern	
Area/Region	DVD Memory Check	
Sensor Status		
Temperature		
Error Log		
Return		

Display the version of software and database.

System Info	
Main CPU	GPS Module
Sub CPU	Boot Loader
Panel CPU	Navi CPU
BT Module	Sysdata
DVD Module	map DB
Return	Voice DB

Area and Region indication

Area/Region	
Main CPU	
Navi CPU	
DVD Module	
Region Code	
Return	

Sensor information indication (Gyro and Speed pulse only as for E version)

Sensor Status	
GPS Satellites	Gyro
GPS Mode	Speed Pulse
GPS Lat.	Reverse Signal
GPS Lon.	Parking Brake
GPS Alt.	Illumination
Return	

Display temperature of system inside at centigrade

Temperature	
Main	
Power Amp	
Panel	
DVD Module	
Return	

Display error history

Error Log	
Main Error	
Sub Error	
DVD Error	
Navi Error	
Panel Error	
Return	

LCD Test Pattern

Display test pattern

\*About cancellation of this mode, press the [AV MAP] button or [DISP] button.

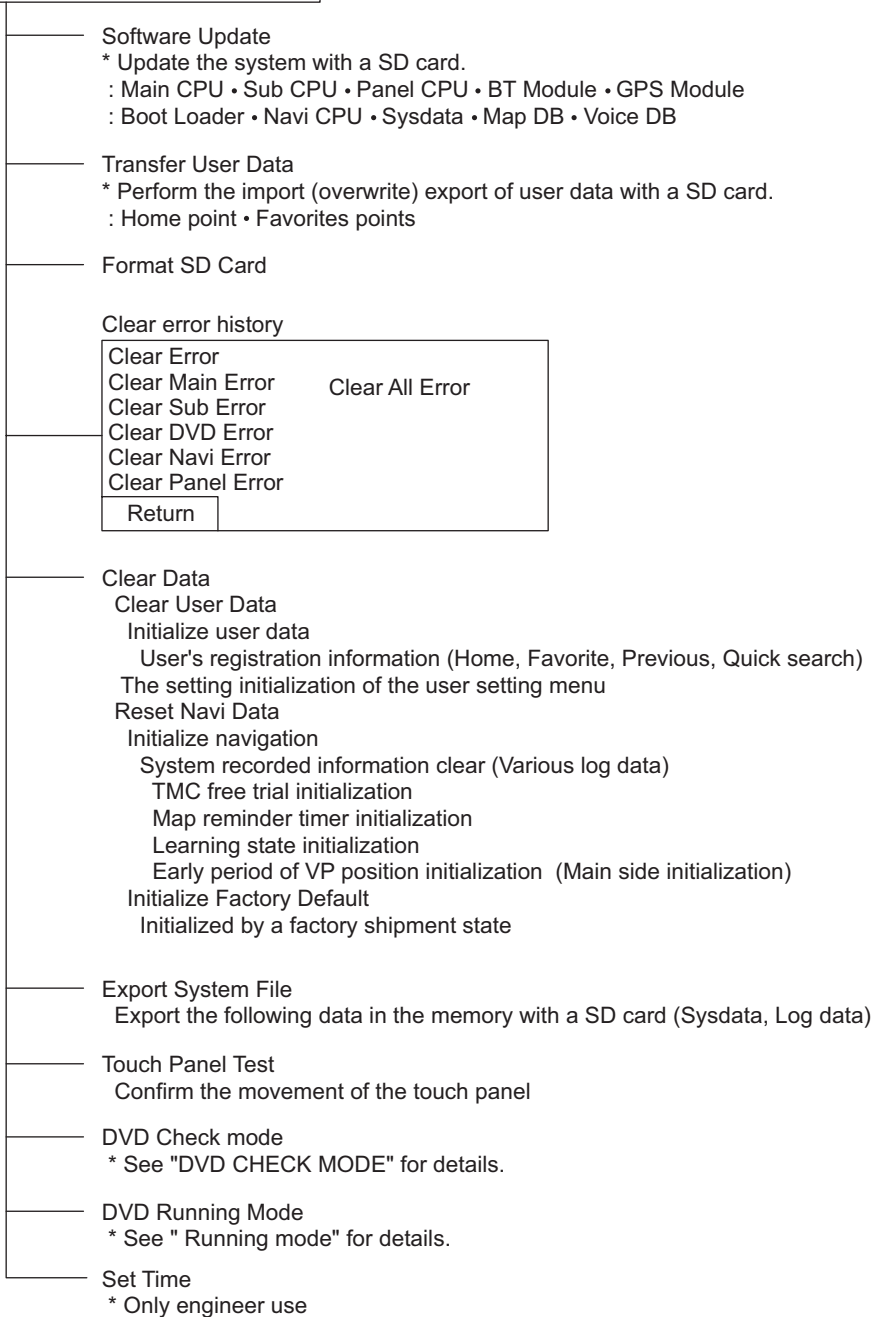
DVD Memory Check

Display a use state of the memory.

\*About cancellation of this mode, [ACC] off.

Adjust screen

Service Menu	Info	Adjust
Software Update	Export System File	
Transfer User Data	Touch Panel Test	
Format SD Card	DVD Check mode	
Clear Error	DVD Running Mode	
Clear Data	Set Time	
Return		



#### 4.7 DVD check mode

Command	Mechanism unit operation	Indication contents
Normal Play	Start at normal speed (After start, jitter is measured by an inner position.)	Laser current value, jitter value
EF OUT Tr. Off	Tracking off the outermost position of CD	For EF phase error
EF IN Tr. Off	Tracking off the innermost position of CD	For EF phase error
CD Laser On	CD_LD lights and laser current is displayed.	Laser current value, jitter value
DVD Laser On	DVD_LD lights and laser current is displayed	Laser current value, jitter value
DVD×1 Jitter	DVD ×1 jitter measuring mode (for use in mechanism adjustment)	Laser current value, jitter value
EEPROM Disp	Contents of EEPROM is displayed.	EEPROM address EEPROM contents
EEPROM Clr	Contents of EEPROM is initialized.	EEPROM address EEPROM contents
Temperature	Temperature indication	Temperature is displayed in hex numbers.
Search & Jitter	The search and jitter measurement to an appointed position of DVD.	Position measured with VT-501 jitter value
Monitor	Monitor terminal setting	
Play	Play	Not displayed.
Stop	Disc stopped, LD-OFF	Not displayed.
Open	Eject	Not displayed.

\* Cancellation DVD check mode: ACC off.

#### 4.8 Running mode

Indication	Explanation	Operation contents of 1 cycle	In mecha error	In disc error
Running Mode 1	Not use			
Running Mode 2	Not use			
Running Mode 3	DVD+Door mecha running1	Loading → Eject → Wait for 5 seconds	Stop	-
Running Mode 4	DVD+Door mecha running2	Loading → Eject → Wait for 5 seconds	Retry	-
Running Mode 5	DVD+Door mecha running3	Loading → Playback → Eject → Wait for 5 seconds	Stop	Stop
Running Mode 6	DVD+Door mecha running4	Loading → Playback → Eject → Wait for 5 seconds	Retry	Stop
Running Mode 7	DVD+Door mecha running5	Loading → Playback → Eject → Wait for 5 seconds	Stop	Retry
Running Mode 8	DVD+Door mecha running6	Loading → Playback → Eject → Wait for 5 seconds	Retry	Retry

\* Cancellation of running mode 3 to 8 : ACC off

\* The number of count and an error cord are displayed in running.

Playback contents in a running mode

- CD

The first track is played for 30 seconds. → The last track is played for 30 seconds.  
(The last track is played in the case of less than till the last for 30 seconds.)

- DVD

2layer disc (Pit disc)

Title 1 (the L0 layer internal circumference) is played for 30 seconds. → Title 12 (L0 layer circumference) is played for 30 seconds.  
→ Title 24 (L1layer internal circumference) is played for 30 seconds.

2layer disc (Recordable disc)

Title 1 (the L0 layer internal circumference) is played for 30 seconds. → Title 13 (L0 layer circumference) is played for 30 seconds.  
→ Title 24 (L1layer internal circumference) is played for 30 seconds.

1layer disc

First chapter of title 1 is played for 30 seconds. → The last chapter of title 1 is played for 30 seconds.

## 4.9 Error code tables

### 4.9.1 Mechanism error code

Error contents	Details	Error code	Detailed error code
Disc loading error (3) D1 time out		09	0013
Eject error (3) B1 time out (4) C1 time out		01 01	0023 0024
Error in loading wait	Loading of a running mode Disc was pulled out in a wait.	09	0031

### 4.9.2 Disc error code

Error contents	Details	Error code	Detailed error code
TOC read error	TOC lead movement of a CD is not completed.	84	0059
First track access error	Even if TOC reading passes after the end with CD running mode for 30 seconds, the first track access is not finished.	80	0060
Last track access error	Even if first track passes after the end with CD running mode for 30 seconds, the last track access is not finished.	80	0061
T1 access error	Even if T1 access passes in a DVD running mode for 30 seconds, it is not finished.	80	0069
T12 access error	Even if T12 access passes in a DVD running mode for 30 seconds, it is not finished.	80	0070
T24 access error	Even if T24 access passes in a DVD running mode for 30 seconds, it is not finished.	80	0071
Read-in area read error	Read-in area read operation of DVD is not completed.	84	0072
DVD L1 layer adjustment error	Adjustment of L1 layer of DVD is not finished normally. (including focus jump failure)	80	0074
DVD L0 layer adjustment error	Adjustment of L0 layer of DVD is not finished normally. (including focus jump failure)	80	0075
NO DISC judgment	Judgment without disc	80	0090
It is NO DISC by start failure	Start is impossible	80	0091
It is stopped by playback inability.	Stop in running mode playback	80	0093
Logic format NG	Logic format analysis inability or non-correspondence logic format	80	0094
Seek access error	It cannot arrive at an aim address even if it passes for 15 seconds.	80	0095

### 4.9.3 Error codes of panel mechanism

\* As for two columns of the beginning of the error code, as for error contents, two columns of middle, number of the pulse counts, last two columns are a purpose position and movement directions.

Error contents	code
Time out	OB
Position error by the external force	OC
Abnormal voltage (1)	F3
Abnormal voltage (2)	F5
Abnormal voltage (3)	F7
Abnormal voltage (4)	F8

When assumed last two columns XY;, as for X, as for purpose position, Y, is a movement direction.

Purpose position	X
CLOSE	1
5 degrees	2
10 degrees	3
15 degrees	4
20 degrees	5
25 degrees	6
30 degrees	7
open	8

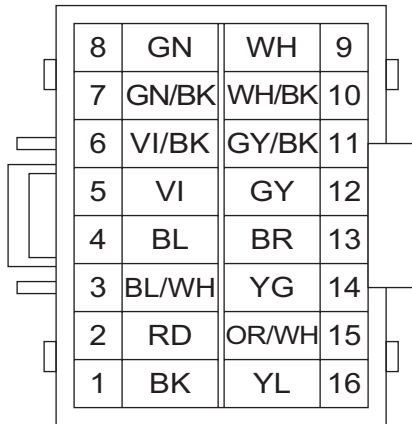
Movement direction	Y
Open direction	0
Close direction	1

Detail	Error code (Service mode)
It is time-out during movement to the closed position.	0B**11
It is time-out during 5 degrees tilt movement.(open direction)	0B**20
It is time-out during 5 degrees tilt movement.(close direction)	0B**21
It is time-out during 10 degrees tilt movement.(open direction)	0B**30
It is time-out during 10 degrees tilt movement.(close direction)	0B**31
It is time-out during 15 degrees tilt movement.(open direction)	0B**40
It is time-out during 15 degrees tilt movement.(close direction)	0B**41
It is time-out during 20 degrees tilt movement.(open direction)	0B**50
It is time-out during 20 degrees tilt movement.(close direction)	0B**51
It is time-out during 25 degrees tilt movement.(open direction)	0B**60
It is time-out during 25 degrees tilt movement.(close direction)	0B**61
It is time-out during 30 degrees tilt movement.(open direction)	0B**70
It is time-out during 30 degrees tilt movement.(close direction)	0B**71
It is time-out during movement to the open position.	0B**80
It is position error during close position stop.	0C0011
It is position error during 5 degree tilt position stop.	0C0020
It is position error during 10 degree tilt position stop.	0C0030
It is position error during 15 degree tilt position stop.	0C0040
It is position error during 20 degree tilt position stop.	0C0050
It is position error during 25 degree tilt position stop.	0C0060
It is position error during 30 degree tilt position stop.	0C0070
It is position error during open position stop.	0C0080
Detect abnormal voltage (1)	F3**XY
Detect abnormal voltage (2)	F5**XY
Detect abnormal voltage (3)	F7**XY
Detect abnormal voltage (4)	F8**XY

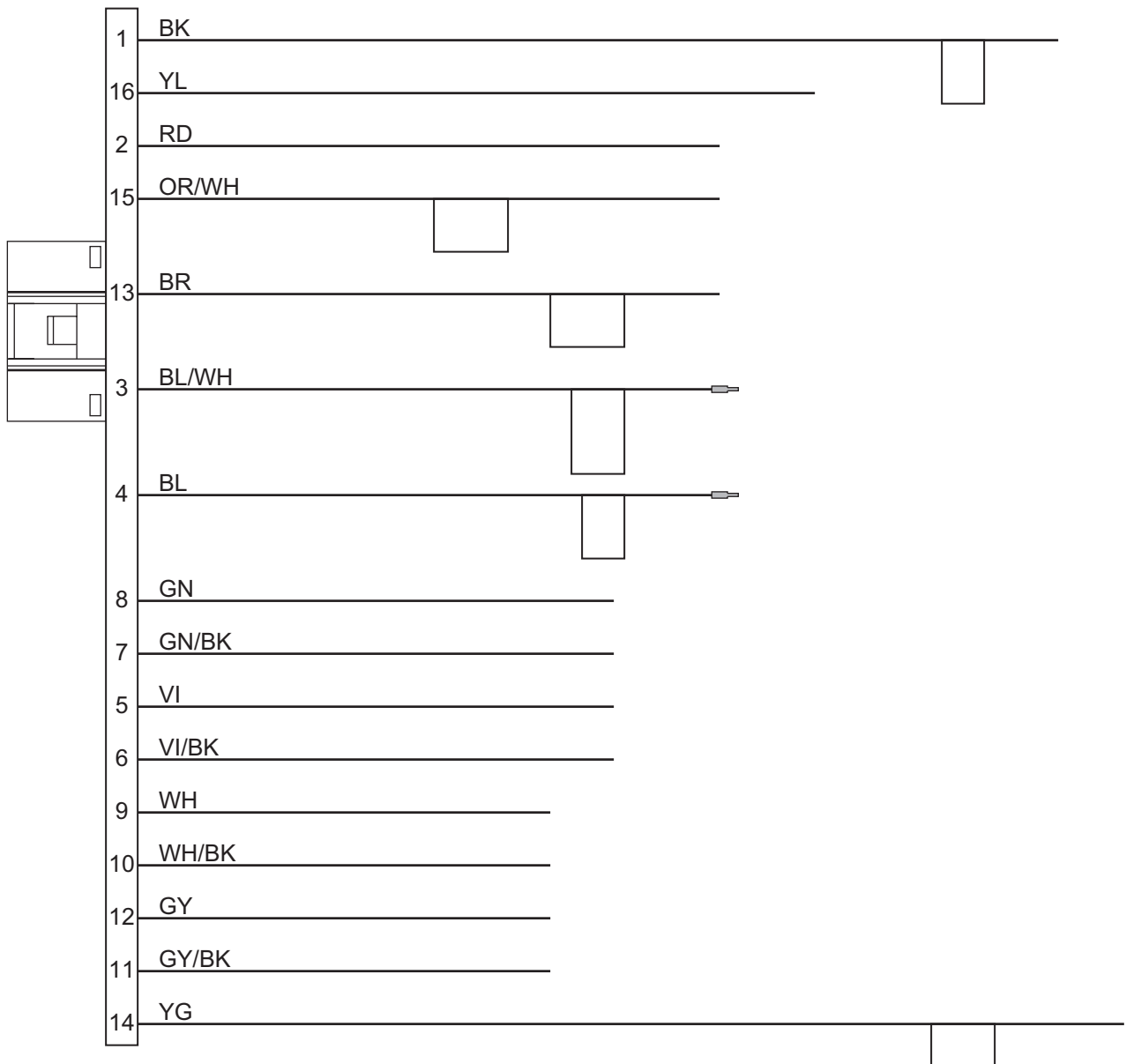
Note: "\*" of the above error code is the number of the pulse counts at the time of the error outbreak.

# SECTION 5 TROUBLESHOOTING

## 5.1 16 PIN CORD DIAGRAM (For KW-NT1J)

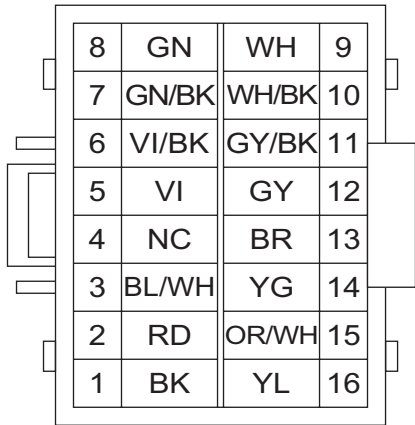


BK	Black	GY	Gray
RD	Red	BR	Brown
BL	Blue	YG	Yellow Green
WH	White	OR	Orange
VI	Violet	YL	Yellow
GN	Green		

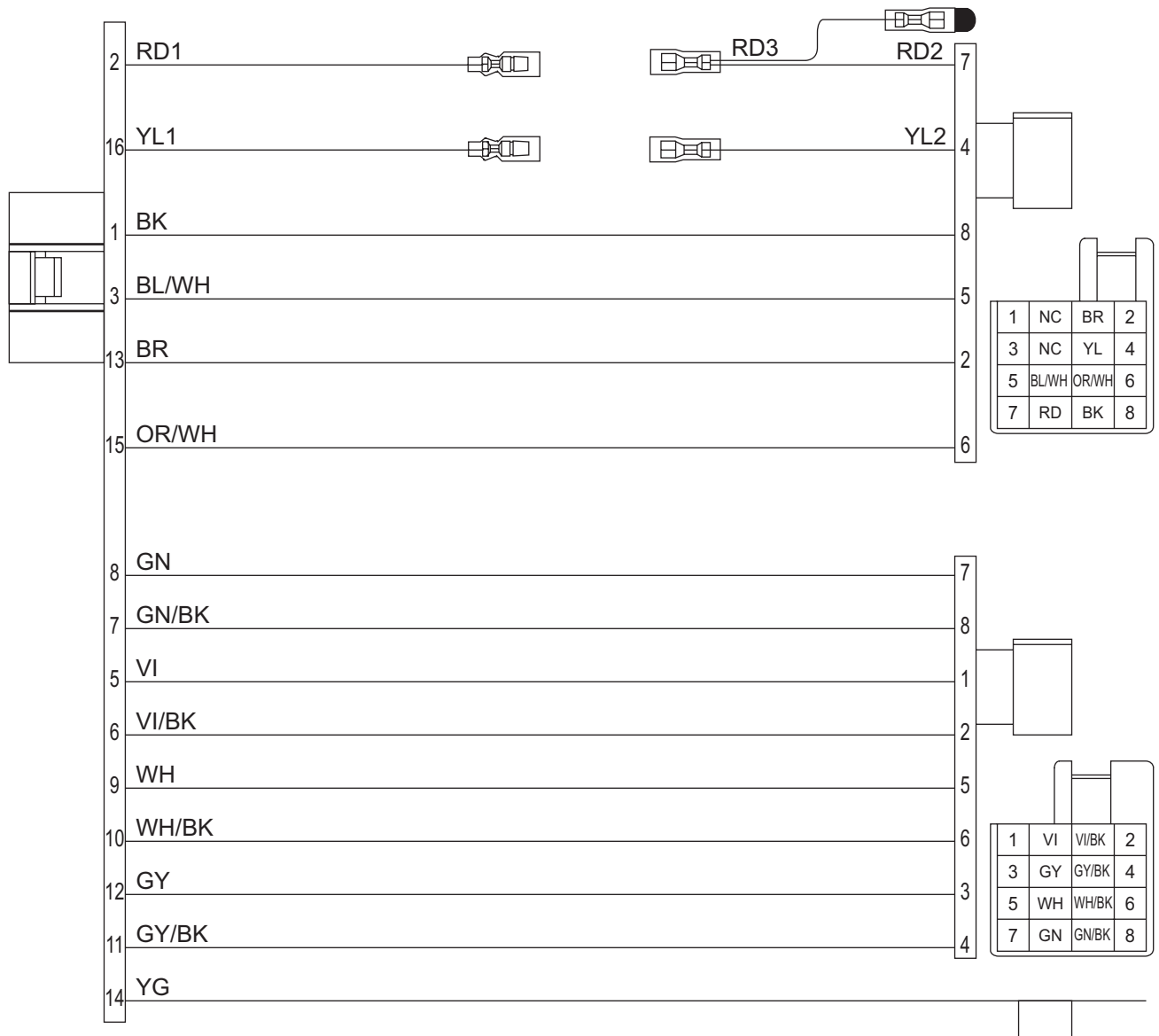




5.2 16 PIN CORD DIAGRAM (For KW-NT1E)



BK	Black	GY	Gray
RD	Red	BR	Brown
BL	Blue	YG	Yellow Green
WH	White	OR	Orange
VI	Violet	YL	Yellow
GN	Green		





**JVC**

Victor Company of Japan, Limited  
Mobile Entertainment Division 10-1,1chome,Ohwatari-machi,Maebashi-city,371-8543,Japan

---

(No.MA453<Rev.003>)

Printed in Japan  
VSE



# REVISION INFORMATION

## NAVIGATION/DVD RECEIVER

### KW-NT1J, KW-NT1E

#### ■ OVERVIEW

Supported reduction in cost, and board contents were changed for KW-NT1J.  
By a block of a parts list, KW-NT1J of a new type did it with a block of KW-NT1E and divided a block of KW-NT1J of an old type.  
It deletes KW-NT1EE for development cancellation.

#### ■ DETAILS

##### COVER SECTION

Title	Line	No.MA453<Rev.001>	No.MA453<Rev.002>	Description
Revision		Rev.001	Rev.002	
Product Name		GPS NAVIGATION SYSTEM	NAVIGATION/DVD RECEIVER	
Model No.		KW-NT1E, KW-NT1EE, KW-NT1J	KW-NT1E, KW-NT1J	
Cover Illustration		ILLUSTRATION(ma453_0001.png)	ILLUSTRATION(ma453_0001.png)	
SPECIFICATION	76	KW-NT1E, KW-NT1EE	KW-NT1E	

##### SECTION 2 SPECIFIC SERVICE INSTRUCTIONS

Title	Line	No.MA453<Rev.001>	No.MA453<Rev.002>	Description
2 SPECIFIC SERVICE INSTRUCTIONS	1	This service manual does not describe SPECIFIC SERVICE INSTRUCTIONS.	-	
2.1 Identification method	T	-	2.1 Identification method	
	1	-	Supported reduction in cost, and board contents were changed.	
	2	-	A set put the following label on is an object.	
	3	-	ILLUSTRATION(ma453_2001.png)	

## SECTION 5 TROUBLESHOOTING

Title	Line	No.MA453<Rev.001>	No.MA453<Rev.002>	Description
5.2 16 PIN CORD DIAGRAM (For KW-NT1E)	T	5.2 16 PIN CORD DIAGRAM (For KW-NT1E, <b>KW-NT1EE</b> )	5.2 16 PIN CORD DIAGRAM (For KW-NT1E)	

## STANDARD SCHEMATIC DIAGRAMS

### Schematic Diagram

Diagram Name	No.MA453<Rev.001>	No.MA453<Rev.002>	Description
Menu	Main section	Main section (old KW-NT1J)	
Menu	Sub section	Sub section (old KW-NT1J)	
Menu	Panel section 1	Panel section 1 (old KW-NT1J)	
Menu	Panel section 2	Panel section 2 (old KW-NT1J)	
Menu	Panel section 3	Panel section 3 (old KW-NT1J)	
Menu	Detach,Relay section	Detach,Relay section (old KW-NT1J)	
Menu	-	Main section (Common) ma453_s017.svgz	
Menu	-	Sub section (Common) ma453_s019.svgz	
Menu	-	Panel section 1 (Common) ma453_s020.svgz	
Menu	-	Panel section 2 (Common) ma453_s021.svgz	
Menu	-	Panel section 3 (Common) ma453_s022.svgz	
Menu	-	Detach,Relay section (Common) ma453_s024.svgz	

### Printed Circuit Board

Diagram Name	No.MA453<Rev.001>	No.MA453<Rev.002>	Description
Menu	Main board	Main board (old KW-NT1J)	
Menu	Gyro board	Gyro board (old KW-NT1J)	
Menu	Sub board	Sub board (old KW-NT1J)	
Menu	Panel board	Panel board (old KW-NT1J)	
Menu	Sensor board	Sensor board (old KW-NT1J)	
Menu	Sensor IC board	Sensor IC board (old KW-NT1J)	
Menu	Jack board	Jack board (old KW-NT1J)	
Menu	Detach board	Detach board (old KW-NT1J)	
Menu	Relay board	Relay board (old KW-NT1J)	
Menu	SLOT-LED board	SLOT-LED board (old KW-NT1J)	
Menu	-	Main board (Common) ma453_p017.svgz	
Menu	-	Gyro board (Common) ma453_p018.svgz	
Menu	-	Sub board (Common) ma453_p019.svgz	
Menu	-	Panel board (Common) ma453_p020.svgz	
Menu	-	Sensor board (Common) ma453_p021.svgz	
Menu	-	Sensor IC board (Common) ma453_p022.svgz	

Diagram Name	No.MA453<Rev.001>	No.MA453<Rev.002>	Description
Menu	-	Jack board (Common) ma453_p023.svgz	
Menu	-	Detach board (Common) ma453_p024.svgz	
Menu	-	Relay board (Common) ma453_p025.svgz	
Menu	-	SLOT-LED board (Common) ma453_p026.svgz	

### Description of Major ICs

Diagram Name	No.MA453<Rev.001>	No.MA453<Rev.002>	Description
Menu	IC398: JVM4401	IC398: EN29LV320AT70TP	

## PARTS LIST

### MODEL No. LIST

Model No.	No.MA453<Rev.002>
KW-NT1E	02
KW-NT1EE	-
KW-NT1J	01

### General assembly [M1]

△	Symbol	or	Part No.		Part Name	Description	Qty	Models
			<Rev.001>	<Rev.002>				
	M1	79	LV38719-002A	-----	NAME PLATE	(Deletion)	1	03
	M1	96	CB-NT1EED	-----	NAVI BOARD ASSY	(Deletion)	1	03
	M1	97	-----	LV45386-001A	LABEL (R2)	(Addition)	1	01

### Electrical parts list Old Main board Old KW-NT1J [01]

△	Symbol	or	Part No.		Part Name	Description	Qty	Models
			<Rev.001>	<Rev.002>				
	01	IC201	JVM4224	-----	IC (PROGRAMED)	(Deletion)	1	01,02,03
	01	IC201	-----	JVM4224	IC (PROGRAMED)	(Addition)	1	01
	01	IC202	S-80828CNNB-G-W	-----	IC	(Deletion)	1	01,02,03
	01	IC202	-----	S-80828CNNB-G-W	IC	(Addition)	1	01
	01	IC203	M24C32-RMN6-X	-----	IC (EEPROM)	(Deletion)	1	01,02,03
	01	IC203	-----	M24C32-RMN6-X	IC (EEPROM)	(Addition)	1	01
	01	IC204	NJM2871BF33-X	-----	IC	(Deletion)	1	01,02,03
	01	IC204	-----	NJM2871BF33-X	IC	(Addition)	1	01
	01	IC205	TC74LVX4053FT-X	-----	IC (DIGITAL)	(Deletion)	1	02
	01	IC211	TEF6606T/V3-X	-----	IC1	(Deletion)	1	01,02,03
	01	IC211	-----	TEF6606T/V3-X	IC1	(Addition)	1	01
	01	IC212	LC72725KM-X	-----	IC	(Deletion)	1	02,03
	01	IC221	TEF6606T/V3-X	-----	IC1	(Deletion)	1	02
	01	IC222	LC72725KM-X	-----	IC	(Deletion)	1	02
	01	IC232	TDA7416	-----	IC	(Deletion)	1	01,02,03
	01	IC232	-----	TDA7416	IC	(Addition)	1	01
	01	IC233	TB2926CHQ	-----	IC	(Deletion)	1	01,02,03
	01	IC233	-----	TB2926CHQ	IC	(Addition)	1	01
	01	IC241	BA00CC0WFP-X	-----	IC	(Deletion)	1	01,02,03
	01	IC241	-----	BA00CC0WFP-X	IC	(Addition)	1	01
	01	IC242	NJM2871BF33-X	-----	IC	(Deletion)	1	01,02,03
	01	IC242	-----	NJM2871BF33-X	IC	(Addition)	1	01
	01	IC251	RSQ030P03-W	-----	MOS FET	(Deletion)	1	01,02,03
	01	IC251	-----	RSQ030P03-W	MOS FET	(Addition)	1	01
	01	IC261	NJM2871BF05-X	-----	IV	(Deletion)	1	02
	01	IC291	R2S25400DS-E	-----	IC	(Deletion)	1	01,02,03
	01	IC291	-----	R2S25400DS-E	IC	(Addition)	1	01
	01	IC484	NAL0066-001X	-----	GYRO SENSOR	(Deletion)	1	02
	01	Q2001	RT1N441C-X	-----	TRANSISTOR	(Deletion)	1	01,02,03
	01	Q2001	-----	RT1N441C-X	TRANSISTOR	(Addition)	1	01
	01	Q2001	or UN2213-X	-----	DIGI TRANSISTOR	(Deletion)	1	01,02,03
	01	Q2001	or -----	UN2213-X	DIGI TRANSISTOR	(Addition)	1	01
	01	Q2201	3SK195-W	-----	TRANSISTOR	(Deletion)	1	02

△	Symbol	or	Part No.		Part Name	Description	Qty	Models
			<Rev.001>	<Rev.002>				
	01	Q2301	RT1N141C-X	-----	DIGI TRANSISTOR	(Deletion)	1	01,02,03
	01	Q2301	-----	RT1N141C-X	DIGI TRANSISTOR	(Addition)	1	01
	01	Q2302	2SC1623A/5-6/-X	-----	TRANSISTOR	(Deletion)	1	01,02,03
	01	Q2302	-----	2SC1623A/5-6/-X	TRANSISTOR	(Addition)	1	01
	01	Q2303	2SD2114K/VW/-X	-----	TRANSISTOR	(Deletion)	1	01,02,03
	01	Q2303	-----	2SD2114K/VW/-X	TRANSISTOR	(Addition)	1	01
	01	Q2304	2SD2114K/VW/-X	-----	TRANSISTOR	(Deletion)	1	01,02,03
	01	Q2304	-----	2SD2114K/VW/-X	TRANSISTOR	(Addition)	1	01
	01	Q2305	2SD2114K/VW/-X	-----	TRANSISTOR	(Deletion)	1	01,02,03
	01	Q2305	-----	2SD2114K/VW/-X	TRANSISTOR	(Addition)	1	01
	01	Q2306	2SD2114K/VW/-X	-----	TRANSISTOR	(Deletion)	1	01,02,03
	01	Q2306	-----	2SD2114K/VW/-X	TRANSISTOR	(Addition)	1	01
	01	Q2307	2SD2114K/VW/-X	-----	TRANSISTOR	(Deletion)	1	01,02,03
	01	Q2307	-----	2SD2114K/VW/-X	TRANSISTOR	(Addition)	1	01
	01	Q2308	RT1N441C-X	-----	TRANSISTOR	(Deletion)	1	01,02,03
	01	Q2308	-----	RT1N441C-X	TRANSISTOR	(Addition)	1	01
	01	Q2501	RT1N441C-X	-----	TRANSISTOR	(Deletion)	1	01,02,03
	01	Q2501	-----	RT1N441C-X	TRANSISTOR	(Addition)	1	01
	01	Q2501	or UN2213-X	-----	DIGI TRANSISTOR	(Deletion)	1	01,02,03
	01	Q2501	or -----	UN2213-X	DIGI TRANSISTOR	(Addition)	1	01
	01	Q2502	RT1N141C-X	-----	DIGI TRANSISTOR	(Deletion)	1	01,02,03
	01	Q2502	-----	RT1N141C-X	DIGI TRANSISTOR	(Addition)	1	01
	01	Q2503	RT1P141C-X	-----	DIGI TRANSISTOR	(Deletion)	1	01,02,03
	01	Q2503	-----	RT1P141C-X	DIGI TRANSISTOR	(Addition)	1	01
	01	Q2504	RT1N141C-X	-----	DIGI TRANSISTOR	(Deletion)	1	01,02,03
	01	Q2504	-----	RT1N141C-X	DIGI TRANSISTOR	(Addition)	1	01
	01	Q2505	RT1N441C-X	-----	TRANSISTOR	(Deletion)	1	01,02,03
	01	Q2505	-----	RT1N441C-X	TRANSISTOR	(Addition)	1	01
	01	Q2505	or UN2213-X	-----	DIGI TRANSISTOR	(Deletion)	1	01,02,03
	01	Q2505	or -----	UN2213-X	DIGI TRANSISTOR	(Addition)	1	01
	01	Q2506	RT1N441C-X	-----	TRANSISTOR	(Deletion)	1	01,02,03
	01	Q2506	-----	RT1N441C-X	TRANSISTOR	(Addition)	1	01
	01	Q2506	or UN2213-X	-----	DIGI TRANSISTOR	(Deletion)	1	01,02,03
	01	Q2506	or -----	UN2213-X	DIGI TRANSISTOR	(Addition)	1	01
	01	Q2507	2SA812A/5-6/-X	-----	TRANSISTOR	(Deletion)	1	01,02,03
	01	Q2507	-----	2SA812A/5-6/-X	TRANSISTOR	(Addition)	1	01
	01	Q2508	2SA812A/5-6/-X	-----	TRANSISTOR	(Deletion)	1	01,02,03
	01	Q2508	-----	2SA812A/5-6/-X	TRANSISTOR	(Addition)	1	01
	01	Q2509	2SA812A/5-6/-X	-----	TRANSISTOR	(Deletion)	1	01,02,03
	01	Q2509	-----	2SA812A/5-6/-X	TRANSISTOR	(Addition)	1	01
	01	Q2510	2SC1623A/5-6/-X	-----	TRANSISTOR	(Deletion)	1	01,02,03
	01	Q2510	-----	2SC1623A/5-6/-X	TRANSISTOR	(Addition)	1	01
	01	Q2511	RT1N141C-X	-----	DIGI TRANSISTOR	(Deletion)	1	01,02,03
	01	Q2511	-----	RT1N141C-X	DIGI TRANSISTOR	(Addition)	1	01
	01	Q2512	RT1N141C-X	-----	DIGI TRANSISTOR	(Deletion)	1	01,02,03
	01	Q2512	-----	RT1N141C-X	DIGI TRANSISTOR	(Addition)	1	01
	01	Q2513	RT1N141C-X	-----	DIGI TRANSISTOR	(Deletion)	1	01,02,03
	01	Q2513	-----	RT1N141C-X	DIGI TRANSISTOR	(Addition)	1	01
	01	Q2514	RT1N141C-X	-----	DIGI TRANSISTOR	(Deletion)	1	01,02,03
	01	Q2514	-----	RT1N141C-X	DIGI TRANSISTOR	(Addition)	1	01
	01	Q2515	2SA812A/5-6/-X	-----	TRANSISTOR	(Deletion)	1	01,02,03
	01	Q2515	-----	2SA812A/5-6/-X	TRANSISTOR	(Addition)	1	01
	01	Q2516	RT1N141C-X	-----	DIGI TRANSISTOR	(Deletion)	1	01,02,03
	01	Q2516	-----	RT1N141C-X	DIGI TRANSISTOR	(Addition)	1	01
	01	Q2901	RT1N141C-X	-----	DIGI TRANSISTOR	(Deletion)	1	01,02,03
	01	Q2901	-----	RT1N141C-X	DIGI TRANSISTOR	(Addition)	1	01
	01	Q2902	RT1P141C-X	-----	DIGI TRANSISTOR	(Deletion)	1	01,02,03
	01	Q2902	-----	RT1P141C-X	DIGI TRANSISTOR	(Addition)	1	01
	01	Q2905	2SA812A/5-6/-X	-----	TRANSISTOR	(Deletion)	1	01,02,03
	01	Q2905	-----	2SA812A/5-6/-X	TRANSISTOR	(Addition)	1	01
	01	D2103	MA111-X	-----	SI DIODE	(Deletion)	1	01,02,03
	01	D2103	-----	MA111-X	SI DIODE	(Addition)	1	01
	01	D2201	MA111-X	-----	SI DIODE	(Deletion)	1	01,02,03
	01	D2201	-----	MA111-X	SI DIODE	(Addition)	1	01
	01	D2202	MA111-X	-----	SI DIODE	(Deletion)	1	01,02,03
	01	D2202	-----	MA111-X	SI DIODE	(Addition)	1	01
	01	D2301	MC2836-X	-----	DIODE	(Deletion)	1	01,02,03
	01	D2301	-----	MC2836-X	DIODE	(Addition)	1	01

△	Symbol	or	Part No.		Part Name	Description	Qty	Models
			<Rev.001>	<Rev.002>				
01	D2302		MC2836-X	-----	DIODE	(Deletion)	1	01,02,03
01	D2302		-----	MC2836-X	DIODE	(Addition)	1	01
01	D2401		MA8062/M/-X	-----	Z DIODE	(Deletion)	1	01,02,03
01	D2401		-----	MA8062/M/-X	Z DIODE	(Addition)	1	01
01	D2402		MA8062/M/-X	-----	Z DIODE	(Deletion)	1	01,02,03
01	D2402		-----	MA8062/M/-X	Z DIODE	(Addition)	1	01
01	D2501		MA22D39-X	-----	SB DIODE	(Deletion)	1	01,02,03
01	D2501		-----	MA22D39-X	SB DIODE	(Addition)	1	01
01	D2503		MA8110/L/-X	-----	Z DIODE	(Deletion)	1	01,02,03
01	D2503		-----	MA8110/L/-X	Z DIODE	(Addition)	1	01
01	D2504		MA111-X	-----	SI DIODE	(Deletion)	1	01,02,03
01	D2504		-----	MA111-X	SI DIODE	(Addition)	1	01
01	D2505		MC2836-X	-----	DIODE	(Deletion)	1	01,02,03
01	D2505		-----	MC2836-X	DIODE	(Addition)	1	01
01	D2506		MA111-X	-----	SI DIODE	(Deletion)	1	01,02,03
01	D2506		-----	MA111-X	SI DIODE	(Addition)	1	01
01	D2507		MA111-X	-----	SI DIODE	(Deletion)	1	01,02,03
01	D2507		-----	MA111-X	SI DIODE	(Addition)	1	01
01	D2801		MA111-X	-----	SI DIODE	(Deletion)	1	01,02,03
01	D2801		-----	MA111-X	SI DIODE	(Addition)	1	01
01	D2802		MA22D39-X	-----	SB DIODE	(Deletion)	1	01,02,03
01	D2802		-----	MA22D39-X	SB DIODE	(Addition)	1	01
01	D2901		1N5401-04	-----	SI DIODE	(Deletion)	1	01,02,03
01	D2901		-----	1N5401-04	SI DIODE	(Addition)	1	01
01	D2904		MA22D39-X	-----	SB DIODE	(Deletion)	1	01,02,03
01	D2904		-----	MA22D39-X	SB DIODE	(Addition)	1	01
01	D2905		MA22D39-X	-----	SB DIODE	(Deletion)	1	01,02,03
01	D2905		-----	MA22D39-X	SB DIODE	(Addition)	1	01
01	C2001		NCB31CK-104X	-----	C CAPACITOR	(Deletion)	1	01,02,03
01	C2001		-----	NCB31CK-104X	C CAPACITOR	(Addition)	1	01
01	C2002		NCB31HK-103X	-----	C CAPACITOR	(Deletion)	1	01,02,03
01	C2002		-----	NCB31HK-103X	C CAPACITOR	(Addition)	1	01
01	C2003		NCB31CK-104X	-----	C CAPACITOR	(Deletion)	1	01,02,03
01	C2003		-----	NCB31CK-104X	C CAPACITOR	(Addition)	1	01
01	C2101		NDC31HJ-150X	-----	C CAPACITOR	(Deletion)	1	01,02,03
01	C2101		-----	NDC31HJ-150X	C CAPACITOR	(Addition)	1	01
01	C2102		NDC31HJ-220X	-----	C CAPACITOR	(Deletion)	1	01,02,03
01	C2102		-----	NDC31HJ-220X	C CAPACITOR	(Addition)	1	01
01	C2103		NCB31HK-104X	-----	C CAPACITOR	(Deletion)	1	02,03
01	C2104		NDC31HJ-7R0X	-----	C CAPACITOR	(Deletion)	1	01,02,03
01	C2104		-----	NDC31HJ-7R0X	C CAPACITOR	(Addition)	1	01
01	C2105		NDC31HJ-6R0X	-----	C CAPACITOR	(Deletion)	1	01,02,03
01	C2105		-----	NDC31HJ-6R0X	C CAPACITOR	(Addition)	1	01
01	C2106		NDC31HJ-2R0X	-----	C CAPACITOR	(Deletion)	1	01,02,03
01	C2106		-----	NDC31HJ-2R0X	C CAPACITOR	(Addition)	1	01
01	C2107		NCB31HK-104X	-----	C CAPACITOR	(Deletion)	1	01,02,03
01	C2107		-----	NCB31HK-104X	C CAPACITOR	(Addition)	1	01
01	C2108		NCB31CK-224X	-----	C CAPACITOR	(Deletion)	1	01,02,03
01	C2108		-----	NCB31CK-224X	C CAPACITOR	(Addition)	1	01
01	C2109		NCB31CK-105X	-----	C CAPACITOR	(Deletion)	1	01,02,03
01	C2109		-----	NCB31CK-105X	C CAPACITOR	(Addition)	1	01
01	C2110		NCB31HK-103X	-----	C CAPACITOR	(Deletion)	1	01,02,03
01	C2110		-----	NCB31HK-103X	C CAPACITOR	(Addition)	1	01
01	C2111		NCB31HK-103X	-----	C CAPACITOR	(Deletion)	1	01,02,03
01	C2111		-----	NCB31HK-103X	C CAPACITOR	(Addition)	1	01
01	C2112		NCB31HK-104X	-----	C CAPACITOR	(Deletion)	1	01,02,03
01	C2112		-----	NCB31HK-104X	C CAPACITOR	(Addition)	1	01
01	C2113		NCB31HK-103X	-----	C CAPACITOR	(Deletion)	1	01,02,03
01	C2113		-----	NCB31HK-103X	C CAPACITOR	(Addition)	1	01
01	C2114		NCB31HK-103X	-----	C CAPACITOR	(Deletion)	1	01,02,03
01	C2114		-----	NCB31HK-103X	C CAPACITOR	(Addition)	1	01
01	C2115		NCB31HK-104X	-----	C CAPACITOR	(Deletion)	1	01,02,03
01	C2115		-----	NCB31HK-104X	C CAPACITOR	(Addition)	1	01
01	C2116		NCB31CK-105X	-----	C CAPACITOR	(Deletion)	1	01,02,03
01	C2116		-----	NCB31CK-105X	C CAPACITOR	(Addition)	1	01
01	C2117		NCB31HK-104X	-----	C CAPACITOR	(Deletion)	1	01,02,03
01	C2117		-----	NCB31HK-104X	C CAPACITOR	(Addition)	1	01
01	C2118		QETN1HM-106Z	-----	E CAPACITOR	(Deletion)	1	01,02,03

△	Symbol	or	Part No.		Part Name	Description	Qty	Models
			<Rev.001>	<Rev.002>				
	01	C2118	-----	QETN1HM-106Z	E CAPACITOR	(Addition)	1	01
	01	C2119	NCB31CK-224X	-----	C CAPACITOR	(Deletion)	1	01,02,03
	01	C2119	-----	NCB31CK-224X	C CAPACITOR	(Addition)	1	01
	01	C2120	NCB31CK-105X	-----	C CAPACITOR	(Deletion)	1	01,02,03
	01	C2120	-----	NCB31CK-105X	C CAPACITOR	(Addition)	1	01
	01	C2121	NCB31CK-105X	-----	C CAPACITOR	(Deletion)	1	01,02,03
	01	C2121	-----	NCB31CK-105X	C CAPACITOR	(Addition)	1	01
	01	C2122	NCB31CK-224X	-----	C CAPACITOR	(Deletion)	1	01,02,03
	01	C2122	-----	NCB31CK-224X	C CAPACITOR	(Addition)	1	01
	01	C2123	NCB31HK-104X	-----	C CAPACITOR	(Deletion)	1	01,02,03
	01	C2123	-----	NCB31HK-104X	C CAPACITOR	(Addition)	1	01
	01	C2124	NDC31HJ-150X	-----	C CAPACITOR	(Deletion)	1	01,02,03
	01	C2124	-----	NDC31HJ-150X	C CAPACITOR	(Addition)	1	01
	01	C2125	NCB31CK-224X	-----	C CAPACITOR	(Deletion)	1	02,03
	01	C2126	NDC31HJ-561X	-----	C CAPACITOR	(Deletion)	1	02,03
	01	C2127	NCB31HK-103X	-----	C CAPACITOR	(Deletion)	1	02,03
	01	C2128	NCJ11EK-106X-A	-----	C CAPACITOR	(Deletion)	1	02,03
	01	C2129	NCB31HK-103X	-----	C CAPACITOR	(Deletion)	1	02,03
	01	C2130	QETN1HM-226Z	-----	E CAPACITOR	(Deletion)	1	02,03
	01	C2131	NDC31HJ-330X	-----	C CAPACITOR	(Deletion)	1	02,03
	01	C2132	NDC31HJ-330X	-----	C CAPACITOR	(Deletion)	1	02,03
	01	C2133	NCB31HK-102X	-----	C CAPACITOR	(Deletion)	1	02
	01	C2136	NDC31HJ-101X	-----	C CAPACITOR	(Deletion)	1	01,02,03
	01	C2136	-----	NDC31HJ-101X	C CAPACITOR	(Addition)	1	01
	01	C2137	NDC31HJ-101X	-----	C CAPACITOR	(Deletion)	1	01,02,03
	01	C2137	-----	NDC31HJ-101X	C CAPACITOR	(Addition)	1	01
	01	C2138	NDC31HJ-101X	-----	C CAPACITOR	(Deletion)	1	01,02,03
	01	C2138	-----	NDC31HJ-101X	C CAPACITOR	(Addition)	1	01
	01	C2201	NDC31HJ-330X	-----	C CAPACITOR	(Deletion)	1	01,02,03
	01	C2201	-----	NDC31HJ-330X	C CAPACITOR	(Addition)	1	01
	01	C2202	NDC31HJ-330X	-----	C CAPACITOR	(Deletion)	1	01,02,03
	01	C2202	-----	NDC31HJ-330X	C CAPACITOR	(Addition)	1	01
	01	C2203	NCB31HK-103X	-----	C CAPACITOR	(Deletion)	1	02
	01	C2204	NDC31HJ-120X	-----	C CAPACITOR	(Deletion)	1	02
	01	C2205	NDC31HJ-220X	-----	C CAPACITOR	(Deletion)	1	02
	01	C2206	NCB31HK-103X	-----	C CAPACITOR	(Deletion)	1	02
	01	C2207	NCB31HK-104X	-----	C CAPACITOR	(Deletion)	1	02
	01	C2208	NCB31HK-103X	-----	C CAPACITOR	(Deletion)	1	02
	01	C2209	NCB31HK-103X	-----	C CAPACITOR	(Deletion)	1	02
	01	C2210	NCB31HK-104X	-----	C CAPACITOR	(Deletion)	1	02
	01	C2211	NCB31CK-105X	-----	C CAPACITOR	(Deletion)	1	02
	01	C2212	NCB31HK-104X	-----	C CAPACITOR	(Deletion)	1	02
	01	C2213	QETN1HM-106Z	-----	E CAPACITOR	(Deletion)	1	02
	01	C2214	NCB31CK-224X	-----	C CAPACITOR	(Deletion)	1	02
	01	C2215	NCB31HK-104X	-----	C CAPACITOR	(Deletion)	1	02
	01	C2216	NDC31HJ-150X	-----	C CAPACITOR	(Deletion)	1	02
	01	C2217	NCB31CK-224X	-----	C CAPACITOR	(Deletion)	1	02
	01	C2218	NDC31HJ-561X	-----	C CAPACITOR	(Deletion)	1	02
	01	C2219	NCB31HK-103X	-----	C CAPACITOR	(Deletion)	1	02
	01	C2220	NCJ11EK-106X-A	-----	C CAPACITOR	(Deletion)	1	02
	01	C2221	NCB31HK-103X	-----	C CAPACITOR	(Deletion)	1	02
	01	C2225	NCB31HK-102X	-----	C CAPACITOR	(Deletion)	1	02
	01	C2229	NDC31HJ-101X	-----	C CAPACITOR	(Deletion)	1	01,02,03
	01	C2229	-----	NDC31HJ-101X	C CAPACITOR	(Addition)	1	01
	01	C2301	NDC31HJ-101X	-----	C CAPACITOR	(Deletion)	1	01,02,03
	01	C2301	-----	NDC31HJ-101X	C CAPACITOR	(Addition)	1	01
	01	C2302	QETN1HM-226Z	-----	E CAPACITOR	(Deletion)	1	01,02,03
	01	C2302	-----	QETN1HM-226Z	E CAPACITOR	(Addition)	1	01
	01	C2305	QETN1CM-107Z	-----	E CAPACITOR	(Deletion)	1	01,02,03
	01	C2305	-----	QETN1CM-107Z	E CAPACITOR	(Addition)	1	01
	01	C2309	QETN1HM-226Z	-----	E CAPACITOR	(Deletion)	1	01,02,03
	01	C2309	-----	QETN1HM-226Z	E CAPACITOR	(Addition)	1	01
	01	C2310	QFV91HJ-474Z	-----	MF CAPACITOR	(Deletion)	1	01,02,03
	01	C2310	-----	QFV91HJ-474Z	MF CAPACITOR	(Addition)	1	01
	01	C2311	QFV91HJ-474Z	-----	MF CAPACITOR	(Deletion)	1	01,02,03
	01	C2311	-----	QFV91HJ-474Z	MF CAPACITOR	(Addition)	1	01
	01	C2312	NCB31CK-105X	-----	C CAPACITOR	(Deletion)	1	01,02,03
	01	C2312	-----	NCB31CK-105X	C CAPACITOR	(Addition)	1	01



△	Symbol	or	Part No.		Part Name	Description	Qty	Models
			<Rev.001>	<Rev.002>				
01	C2313		NCB31CK-105X	-----	C CAPACITOR	(Deletion)	1	01,02,03
01	C2313		-----	NCB31CK-105X	C CAPACITOR	(Addition)	1	01
01	C2314		NCB31CK-105X	-----	C CAPACITOR	(Deletion)	1	01,02,03
01	C2314		-----	NCB31CK-105X	C CAPACITOR	(Addition)	1	01
01	C2315		NCB31CK-105X	-----	C CAPACITOR	(Deletion)	1	01,02,03
01	C2315		-----	NCB31CK-105X	C CAPACITOR	(Addition)	1	01
01	C2316		NCB31CK-105X	-----	C CAPACITOR	(Deletion)	1	01,02,03
01	C2316		-----	NCB31CK-105X	C CAPACITOR	(Addition)	1	01
01	C2317		QETN1CM-107Z	-----	E CAPACITOR	(Deletion)	1	01,02,03
01	C2317		-----	QETN1CM-107Z	E CAPACITOR	(Addition)	1	01
01	C2320		QFN31HJ-473Z	-----	M CAPACITOR	(Deletion)	1	01,02,03
01	C2320		-----	QFN31HJ-473Z	M CAPACITOR	(Addition)	1	01
01	C2321		NCB31HK-563X	-----	C CAPACITOR	(Deletion)	1	01,02,03
01	C2321		-----	NCB31HK-563X	C CAPACITOR	(Addition)	1	01
01	C2322		NCB31HK-104X	-----	C CAPACITOR	(Deletion)	1	01,02,03
01	C2322		-----	NCB31HK-104X	C CAPACITOR	(Addition)	1	01
01	C2323		QFV91HJ-474Z	-----	MF CAPACITOR	(Deletion)	1	01,02,03
01	C2323		-----	QFV91HJ-474Z	MF CAPACITOR	(Addition)	1	01
01	C2324		QFV91HJ-474Z	-----	MF CAPACITOR	(Deletion)	1	01,02,03
01	C2324		-----	QFV91HJ-474Z	MF CAPACITOR	(Addition)	1	01
01	C2325		QFV91HJ-474Z	-----	MF CAPACITOR	(Deletion)	1	01,02,03
01	C2325		-----	QFV91HJ-474Z	MF CAPACITOR	(Addition)	1	01
01	C2326		QFV91HJ-474Z	-----	MF CAPACITOR	(Deletion)	1	01,02,03
01	C2326		-----	QFV91HJ-474Z	MF CAPACITOR	(Addition)	1	01
01	C2327		NDC31HJ-470X	-----	C CAPACITOR	(Deletion)	1	01,02,03
01	C2327		-----	NDC31HJ-470X	C CAPACITOR	(Addition)	1	01
01	C2328		NDC31HJ-470X	-----	C CAPACITOR	(Deletion)	1	01,02,03
01	C2328		-----	NDC31HJ-470X	C CAPACITOR	(Addition)	1	01
01	C2329		NDC31HJ-470X	-----	C CAPACITOR	(Deletion)	1	01,02,03
01	C2329		-----	NDC31HJ-470X	C CAPACITOR	(Addition)	1	01
01	C2330		NDC31HJ-470X	-----	C CAPACITOR	(Deletion)	1	01,02,03
01	C2330		-----	NDC31HJ-470X	C CAPACITOR	(Addition)	1	01
01	C2331		QETN1HM-226Z	-----	E CAPACITOR	(Deletion)	1	01,02,03
01	C2331		-----	QETN1HM-226Z	E CAPACITOR	(Addition)	1	01
01	C2332		NDC31HJ-471X	-----	C CAPACITOR	(Deletion)	1	01,02,03
01	C2332		-----	NDC31HJ-471X	C CAPACITOR	(Addition)	1	01
01	C2333		QETN1EM-476Z	-----	E CAPACITOR	(Deletion)	1	01,02,03
01	C2333		-----	QETN1EM-476Z	E CAPACITOR	(Addition)	1	01
01	C2334		QEKJ1HM-225Z	-----	E CAPACITOR	(Deletion)	1	01,02,03
01	C2334		-----	QEKJ1HM-225Z	E CAPACITOR	(Addition)	1	01
01	C2335		QETN1HM-106Z	-----	E CAPACITOR	(Deletion)	1	01,02,03
01	C2335		-----	QETN1HM-106Z	E CAPACITOR	(Addition)	1	01
01	C2336		QFN31HJ-104Z	-----	M CAPACITOR	(Deletion)	1	01,02,03
01	C2336		-----	QFN31HJ-104Z	M CAPACITOR	(Addition)	1	01
01	C2337		NCB31HK-104X	-----	C CAPACITOR	(Deletion)	1	01,02,03
01	C2337		-----	NCB31HK-104X	C CAPACITOR	(Addition)	1	01
01	C2338		NDC31HJ-101X	-----	C CAPACITOR	(Deletion)	1	01,02,03
01	C2338		-----	NDC31HJ-101X	C CAPACITOR	(Addition)	1	01
01	C2339		QEKJ1HM-225Z	-----	E CAPACITOR	(Deletion)	1	01,02,03
01	C2339		-----	QEKJ1HM-225Z	E CAPACITOR	(Addition)	1	01
01	C2340		NDC31HJ-101X	-----	C CAPACITOR	(Deletion)	1	01,02,03
01	C2340		-----	NDC31HJ-101X	C CAPACITOR	(Addition)	1	01
01	C2341		NDC31HJ-101X	-----	C CAPACITOR	(Deletion)	1	01,02,03
01	C2341		-----	NDC31HJ-101X	C CAPACITOR	(Addition)	1	01
01	C2342		NDC31HJ-101X	-----	C CAPACITOR	(Deletion)	1	01,02,03
01	C2342		-----	NDC31HJ-101X	C CAPACITOR	(Addition)	1	01
01	C2343		NDC31HJ-101X	-----	C CAPACITOR	(Deletion)	1	01,02,03
01	C2343		-----	NDC31HJ-101X	C CAPACITOR	(Addition)	1	01
01	C2344		NDC31HJ-101X	-----	C CAPACITOR	(Deletion)	1	01,02,03
01	C2344		-----	NDC31HJ-101X	C CAPACITOR	(Addition)	1	01
01	C2345		NDC31HJ-101X	-----	C CAPACITOR	(Deletion)	1	01,02,03
01	C2345		-----	NDC31HJ-101X	C CAPACITOR	(Addition)	1	01
01	C2346		NDC31HJ-101X	-----	C CAPACITOR	(Deletion)	1	01,02,03
01	C2346		-----	NDC31HJ-101X	C CAPACITOR	(Addition)	1	01
01	C2347		NDC31HJ-101X	-----	C CAPACITOR	(Deletion)	1	01,02,03
01	C2347		-----	NDC31HJ-101X	C CAPACITOR	(Addition)	1	01
01	C2348		QETN1HM-106Z	-----	E CAPACITOR	(Deletion)	1	01,02,03
01	C2348		-----	QETN1HM-106Z	E CAPACITOR	(Addition)	1	01



△	Symbol	or	Part No.		Part Name	Description	Qty	Models
			<Rev.001>	<Rev.002>				
01	C2386		NDC31HJ-101X	-----	C CAPACITOR	(Deletion)	1	01,02,03
01	C2386		-----	NDC31HJ-101X	C CAPACITOR	(Addition)	1	01
01	C2387		NDC31HJ-470X	-----	C CAPACITOR	(Deletion)	1	01,02,03
01	C2387		-----	NDC31HJ-470X	C CAPACITOR	(Addition)	1	01
01	C2388		NDC31HJ-470X	-----	C CAPACITOR	(Deletion)	1	01,02,03
01	C2388		-----	NDC31HJ-470X	C CAPACITOR	(Addition)	1	01
01	C2389		NDC31HJ-470X	-----	C CAPACITOR	(Deletion)	1	01,02,03
01	C2389		-----	NDC31HJ-470X	C CAPACITOR	(Addition)	1	01
01	C2390		NDC31HJ-470X	-----	C CAPACITOR	(Deletion)	1	01,02,03
01	C2390		-----	NDC31HJ-470X	C CAPACITOR	(Addition)	1	01
01	C2401		NDC31HJ-471X	-----	C CAPACITOR	(Deletion)	1	01,02,03
01	C2401		-----	NDC31HJ-471X	C CAPACITOR	(Addition)	1	01
01	C2402		QETN1EM-476Z	-----	E CAPACITOR	(Deletion)	1	01,02,03
01	C2402		-----	QETN1EM-476Z	E CAPACITOR	(Addition)	1	01
01	C2403		NDC31HJ-471X	-----	C CAPACITOR	(Deletion)	1	01,02,03
01	C2403		-----	NDC31HJ-471X	C CAPACITOR	(Addition)	1	01
01	C2404		QETN1EM-476Z	-----	E CAPACITOR	(Deletion)	1	01,02,03
01	C2404		-----	QETN1EM-476Z	E CAPACITOR	(Addition)	1	01
01	C2405		QETN1HM-106Z	-----	E CAPACITOR	(Deletion)	1	01,02,03
01	C2405		-----	QETN1HM-106Z	E CAPACITOR	(Addition)	1	01
01	C2406		NCB31HK-104X	-----	C CAPACITOR	(Deletion)	1	01,02,03
01	C2406		-----	NCB31HK-104X	C CAPACITOR	(Addition)	1	01
01	C2407		NCB31CK-104X	-----	C CAPACITOR	(Deletion)	1	01,02,03
01	C2407		-----	NCB31CK-104X	C CAPACITOR	(Addition)	1	01
01	C2408		NCB31HK-103X	-----	C CAPACITOR	(Deletion)	1	01,02,03
01	C2408		-----	NCB31HK-103X	C CAPACITOR	(Addition)	1	01
01	C2409		NCB31CK-104X	-----	C CAPACITOR	(Deletion)	1	01,02,03
01	C2409		-----	NCB31CK-104X	C CAPACITOR	(Addition)	1	01
01	C2503		NCB11EK-105X	-----	C CAPACITOR	(Deletion)	1	01,02,03
01	C2503		-----	NCB11EK-105X	C CAPACITOR	(Addition)	1	01
01	C2504		NCB31AK-105X	-----	C CAPACITOR	(Deletion)	1	01,02,03
01	C2504		-----	NCB31AK-105X	C CAPACITOR	(Addition)	1	01
01	C2505		QETN1CM-107Z	-----	E CAPACITOR	(Deletion)	1	01,02,03
01	C2505		-----	QETN1CM-107Z	E CAPACITOR	(Addition)	1	01
01	C2506		QETN1CM-107Z	-----	E CAPACITOR	(Deletion)	1	01,02,03
01	C2506		-----	QETN1CM-107Z	E CAPACITOR	(Addition)	1	01
01	C2507		QETN1HM-226Z	-----	E CAPACITOR	(Deletion)	1	01,02,03
01	C2507		-----	QETN1HM-226Z	E CAPACITOR	(Addition)	1	01
01	C2508		NCB31CK-105X	-----	C CAPACITOR	(Deletion)	1	01,02,03
01	C2508		-----	NCB31CK-105X	C CAPACITOR	(Addition)	1	01
01	C2509		NDC31HJ-101X	-----	C CAPACITOR	(Deletion)	1	01,02,03
01	C2509		-----	NDC31HJ-101X	C CAPACITOR	(Addition)	1	01
01	C2510		NCB31CK-105X	-----	C CAPACITOR	(Deletion)	1	01,02,03
01	C2510		-----	NCB31CK-105X	C CAPACITOR	(Addition)	1	01
01	C2511		NCB31CK-105X	-----	C CAPACITOR	(Deletion)	1	01,02,03
01	C2511		-----	NCB31CK-105X	C CAPACITOR	(Addition)	1	01
01	C2512		NCB31CK-105X	-----	C CAPACITOR	(Deletion)	1	01,02,03
01	C2512		-----	NCB31CK-105X	C CAPACITOR	(Addition)	1	01
01	C2601		QETN1HM-106Z	-----	E CAPACITOR	(Deletion)	1	02
01	C2602		QETN1CM-107Z	-----	E CAPACITOR	(Deletion)	1	02
01	C2603		NCB31CK-105X	-----	C CAPACITOR	(Deletion)	1	02
01	C2604		NCB31HK-103X	-----	C CAPACITOR	(Deletion)	1	02
01	C2801		NCB31EK-473X	-----	C CAPACITOR	(Deletion)	1	01,02,03
01	C2801		-----	NCB31EK-473X	C CAPACITOR	(Addition)	1	01
01	C2802		QETN1EM-476Z	-----	E CAPACITOR	(Deletion)	1	01,02,03
01	C2802		-----	QETN1EM-476Z	E CAPACITOR	(Addition)	1	01
01	C2803		NDC31HJ-220X	-----	C CAPACITOR	(Deletion)	1	01,02,03
01	C2803		-----	NDC31HJ-220X	C CAPACITOR	(Addition)	1	01
01	C2804		NDC31HJ-220X	-----	C CAPACITOR	(Deletion)	1	01,02,03
01	C2804		-----	NDC31HJ-220X	C CAPACITOR	(Addition)	1	01
01	C2805		NDC31HJ-120X	-----	C CAPACITOR	(Deletion)	1	01,02,03
01	C2805		-----	NDC31HJ-120X	C CAPACITOR	(Addition)	1	01
01	C2806		NDC31HJ-100X	-----	C CAPACITOR	(Deletion)	1	01,02,03
01	C2806		-----	NDC31HJ-100X	C CAPACITOR	(Addition)	1	01
01	C2807		NCB31CK-104X	-----	C CAPACITOR	(Deletion)	1	01,02,03
01	C2807		-----	NCB31CK-104X	C CAPACITOR	(Addition)	1	01
01	C2808		QETN1AM-227Z	-----	E CAPACITOR	(Deletion)	1	01,02,03
01	C2808		-----	QETN1AM-227Z	E CAPACITOR	(Addition)	1	01

△	Symbol	or	Part No.		Part Name	Description	Qty	Models
			<Rev.001>	<Rev.002>				
	01	C2809	QETN1CM-107Z	-----	E CAPACITOR	(Deletion)	1	01,02,03
	01	C2809	-----	QETN1CM-107Z	E CAPACITOR	(Addition)	1	01
	01	C2810	QETN0JM-108Z	-----	E CAPACITOR	(Deletion)	1	01,02,03
	01	C2810	-----	QETN0JM-108Z	E CAPACITOR	(Addition)	1	01
	01	C2811	QETN1AM-227Z	-----	E CAPACITOR	(Deletion)	1	01,02,03
	01	C2811	-----	QETN1AM-227Z	E CAPACITOR	(Addition)	1	01
	01	C2812	NCB31CK-104X	-----	C CAPACITOR	(Deletion)	1	01,02,03
	01	C2812	-----	NCB31CK-104X	C CAPACITOR	(Addition)	1	01
	01	C2813	NCB31HK-103X	-----	C CAPACITOR	(Deletion)	1	01,02,03
	01	C2813	-----	NCB31HK-103X	C CAPACITOR	(Addition)	1	01
	01	C2814	NCB31CK-104X	-----	C CAPACITOR	(Deletion)	1	02
	01	C2815	NCB31EK-473X	-----	C CAPACITOR	(Deletion)	1	01,02,03
	01	C2815	-----	NCB31EK-473X	C CAPACITOR	(Addition)	1	01
	01	C2816	NCB31CK-104X	-----	C CAPACITOR	(Deletion)	1	01,02,03
	01	C2816	-----	NCB31CK-104X	C CAPACITOR	(Addition)	1	01
	01	C2817	NDC31HJ-222X	-----	C CAPACITOR	(Deletion)	1	02
	01	C2818	NCB31CK-104X	-----	C CAPACITOR	(Deletion)	1	01,02,03
	01	C2818	-----	NCB31CK-104X	C CAPACITOR	(Addition)	1	01
	01	C2819	NCB31CK-104X	-----	C CAPACITOR	(Deletion)	1	01,02,03
	01	C2819	-----	NCB31CK-104X	C CAPACITOR	(Addition)	1	01
	01	C2901	QEZ0870-278	-----	E CAPACITOR	(Deletion)	1	01,02,03
	01	C2901	-----	QEZ0870-278	E CAPACITOR	(Addition)	1	01
	01	C2902	QEKJ1HM-225Z	-----	E CAPACITOR	(Deletion)	1	01,02,03
	01	C2902	-----	QEKJ1HM-225Z	E CAPACITOR	(Addition)	1	01
	01	C2903	QETN1EM-476Z	-----	E CAPACITOR	(Deletion)	1	01,02,03
	01	C2903	-----	QETN1EM-476Z	E CAPACITOR	(Addition)	1	01
	01	C2904	QETN1HM-106Z	-----	E CAPACITOR	(Deletion)	1	01,02,03
	01	C2904	-----	QETN1HM-106Z	E CAPACITOR	(Addition)	1	01
	01	C2905	QETN1EM-476Z	-----	E CAPACITOR	(Deletion)	1	01,02,03
	01	C2905	-----	QETN1EM-476Z	E CAPACITOR	(Addition)	1	01
	01	C2906	QETN1CM-107Z	-----	E CAPACITOR	(Deletion)	1	01,02,03
	01	C2906	-----	QETN1CM-107Z	E CAPACITOR	(Addition)	1	01
	01	C2907	NCB31CK-104X	-----	C CAPACITOR	(Deletion)	1	01,02,03
	01	C2907	-----	NCB31CK-104X	C CAPACITOR	(Addition)	1	01
	01	C2908	NCB31CK-104X	-----	C CAPACITOR	(Deletion)	1	01,02,03
	01	C2908	-----	NCB31CK-104X	C CAPACITOR	(Addition)	1	01
	01	C2909	QETN1HM-106Z	-----	E CAPACITOR	(Deletion)	1	01,02,03
	01	C2909	-----	QETN1HM-106Z	E CAPACITOR	(Addition)	1	01
	01	C2911	QETN1HM-106Z	-----	E CAPACITOR	(Deletion)	1	01,02,03
	01	C2911	-----	QETN1HM-106Z	E CAPACITOR	(Addition)	1	01
	01	C2913	NCB31EK-104X	-----	C CAPACITOR	(Deletion)	1	01,02,03
	01	C2913	-----	NCB31EK-104X	C CAPACITOR	(Addition)	1	01
	01	C2914	QETN1CM-108Z	-----	E CAPACITOR	(Deletion)	1	01,02,03
	01	C2914	-----	QETN1CM-108Z	E CAPACITOR	(Addition)	1	01
	01	C2921	NDC31HJ-470X	-----	C CAPACITOR	(Deletion)	1	01,02,03
	01	C2921	-----	NDC31HJ-470X	C CAPACITOR	(Addition)	1	01
	01	C2923	NDC31HJ-470X	-----	C CAPACITOR	(Deletion)	1	01,02,03
	01	C2923	-----	NDC31HJ-470X	C CAPACITOR	(Addition)	1	01
	01	C2925	NDC31HJ-470X	-----	C CAPACITOR	(Deletion)	1	01,02,03
	01	C2925	-----	NDC31HJ-470X	C CAPACITOR	(Addition)	1	01
	01	C2928	QEKJ1HM-225Z	-----	E CAPACITOR	(Deletion)	1	01,02,03
	01	C2928	-----	QEKJ1HM-225Z	E CAPACITOR	(Addition)	1	01
	01	C2931	NDC31HJ-470X	-----	C CAPACITOR	(Deletion)	1	01,02,03
	01	C2931	-----	NDC31HJ-470X	C CAPACITOR	(Addition)	1	01
	01	C2933	NDC31HJ-470X	-----	C CAPACITOR	(Deletion)	1	01,02,03
	01	C2933	-----	NDC31HJ-470X	C CAPACITOR	(Addition)	1	01
	01	C2934	NDC31HJ-470X	-----	C CAPACITOR	(Deletion)	1	01,02,03
	01	C2934	-----	NDC31HJ-470X	C CAPACITOR	(Addition)	1	01
	01	C2937	NDC31HJ-470X	-----	C CAPACITOR	(Deletion)	1	01,02,03
	01	C2937	-----	NDC31HJ-470X	C CAPACITOR	(Addition)	1	01
	01	C2938	NDC31HJ-470X	-----	C CAPACITOR	(Deletion)	1	01,02,03
	01	C2938	-----	NDC31HJ-470X	C CAPACITOR	(Addition)	1	01
	01	C2941	NDC31HJ-470X	-----	C CAPACITOR	(Deletion)	1	01,02,03
	01	C2941	-----	NDC31HJ-470X	C CAPACITOR	(Addition)	1	01
	01	C2943	NDC31HJ-470X	-----	C CAPACITOR	(Deletion)	1	01,02,03
	01	C2943	-----	NDC31HJ-470X	C CAPACITOR	(Addition)	1	01
	01	C2945	NDC31HJ-470X	-----	C CAPACITOR	(Deletion)	1	01,02,03
	01	C2945	-----	NDC31HJ-470X	C CAPACITOR	(Addition)	1	01

△	Symbol	or	Part No.		Part Name	Description	Qty	Models
			<Rev.001>	<Rev.002>				
	01	C2947	NDC31HJ-470X	-----	C CAPACITOR	(Deletion)	1	01,02,03
	01	C2947	-----	NDC31HJ-470X	C CAPACITOR	(Addition)	1	01
	01	C2949	NDC31HJ-470X	-----	C CAPACITOR	(Deletion)	1	01,02,03
	01	C2949	-----	NDC31HJ-470X	C CAPACITOR	(Addition)	1	01
	01	C4841	NCB31CK-104X	-----	C CAPACITOR	(Deletion)	1	02
	01	C4842	NDC31HJ-101X	-----	C CAPACITOR	(Deletion)	1	02
	01	R2001	NRSA63J-101X	-----	MG RESISTOR	(Deletion)	1	01,02,03
	01	R2001	-----	NRSA63J-101X	MG RESISTOR	(Addition)	1	01
	01	R2002	NRSA63J-102X	-----	MG RESISTOR	(Deletion)	1	01,02,03
	01	R2002	-----	NRSA63J-102X	MG RESISTOR	(Addition)	1	01
	01	R2003	NRSA63J-102X	-----	MG RESISTOR	(Deletion)	1	01,02,03
	01	R2003	-----	NRSA63J-102X	MG RESISTOR	(Addition)	1	01
	01	R2004	NRSA63J-101X	-----	MG RESISTOR	(Deletion)	1	01,02,03
	01	R2004	-----	NRSA63J-101X	MG RESISTOR	(Addition)	1	01
	01	R2005	NRSA63J-102X	-----	MG RESISTOR	(Deletion)	1	01,02,03
	01	R2005	-----	NRSA63J-102X	MG RESISTOR	(Addition)	1	01
	01	R2006	NRSA63J-101X	-----	MG RESISTOR	(Deletion)	1	01,02,03
	01	R2006	-----	NRSA63J-101X	MG RESISTOR	(Addition)	1	01
	01	R2007	NRSA63J-472X	-----	MG RESISTOR	(Deletion)	1	01,02,03
	01	R2007	-----	NRSA63J-472X	MG RESISTOR	(Addition)	1	01
	01	R2008	NRSA63J-101X	-----	MG RESISTOR	(Deletion)	1	01,02,03
	01	R2008	-----	NRSA63J-101X	MG RESISTOR	(Addition)	1	01
	01	R2009	NRSA63J-101X	-----	MG RESISTOR	(Deletion)	1	01,02,03
	01	R2009	-----	NRSA63J-101X	MG RESISTOR	(Addition)	1	01
	01	R2010	NRSA63J-472X	-----	MG RESISTOR	(Deletion)	1	01,02,03
	01	R2010	-----	NRSA63J-472X	MG RESISTOR	(Addition)	1	01
	01	R2011	NRSA63J-472X	-----	MG RESISTOR	(Deletion)	1	01,02,03
	01	R2011	-----	NRSA63J-472X	MG RESISTOR	(Addition)	1	01
	01	R2012	NRSA63J-102X	-----	MG RESISTOR	(Deletion)	1	01,02,03
	01	R2012	-----	NRSA63J-102X	MG RESISTOR	(Addition)	1	01
	01	R2013	NRSA63J-102X	-----	MG RESISTOR	(Deletion)	1	01,02,03
	01	R2013	-----	NRSA63J-102X	MG RESISTOR	(Addition)	1	01
	01	R2014	NRSA63J-102X	-----	MG RESISTOR	(Deletion)	1	01,02,03
	01	R2014	-----	NRSA63J-102X	MG RESISTOR	(Addition)	1	01
	01	R2015	NRSA63J-102X	-----	MG RESISTOR	(Deletion)	1	01,02,03
	01	R2015	-----	NRSA63J-102X	MG RESISTOR	(Addition)	1	01
	01	R2016	NRSA63J-101X	-----	MG RESISTOR	(Deletion)	1	01,02,03
	01	R2016	-----	NRSA63J-101X	MG RESISTOR	(Addition)	1	01
	01	R2017	NRSA63J-101X	-----	MG RESISTOR	(Deletion)	1	01,02,03
	01	R2017	-----	NRSA63J-101X	MG RESISTOR	(Addition)	1	01
	01	R2018	NRSA63J-102X	-----	MG RESISTOR	(Deletion)	1	01,02,03
	01	R2018	-----	NRSA63J-102X	MG RESISTOR	(Addition)	1	01
	01	R2019	NRSA63J-102X	-----	MG RESISTOR	(Deletion)	1	01,02,03
	01	R2019	-----	NRSA63J-102X	MG RESISTOR	(Addition)	1	01
	01	R2020	NRSA63J-102X	-----	MG RESISTOR	(Deletion)	1	01,02,03
	01	R2020	-----	NRSA63J-102X	MG RESISTOR	(Addition)	1	01
	01	R2021	NRSA63J-102X	-----	MG RESISTOR	(Deletion)	1	01,02,03
	01	R2021	-----	NRSA63J-102X	MG RESISTOR	(Addition)	1	01
	01	R2022	NRSA63J-101X	-----	MG RESISTOR	(Deletion)	1	01,02,03
	01	R2022	-----	NRSA63J-101X	MG RESISTOR	(Addition)	1	01
	01	R2023	NRSA63J-101X	-----	MG RESISTOR	(Deletion)	1	01,02,03
	01	R2023	-----	NRSA63J-101X	MG RESISTOR	(Addition)	1	01
	01	R2024	NRSA63J-101X	-----	MG RESISTOR	(Deletion)	1	01,02,03
	01	R2024	-----	NRSA63J-101X	MG RESISTOR	(Addition)	1	01
	01	R2025	NRSA63J-101X	-----	MG RESISTOR	(Deletion)	1	01,02,03
	01	R2025	-----	NRSA63J-101X	MG RESISTOR	(Addition)	1	01
	01	R2026	NRSA63J-101X	-----	MG RESISTOR	(Deletion)	1	01,02,03
	01	R2026	-----	NRSA63J-101X	MG RESISTOR	(Addition)	1	01
	01	R2027	NRSA63J-101X	-----	MG RESISTOR	(Deletion)	1	01,02,03
	01	R2027	-----	NRSA63J-101X	MG RESISTOR	(Addition)	1	01
	01	R2028	NRSA63J-101X	-----	MG RESISTOR	(Deletion)	1	01,02,03
	01	R2028	-----	NRSA63J-101X	MG RESISTOR	(Addition)	1	01
	01	R2029	NRSA63J-102X	-----	MG RESISTOR	(Deletion)	1	01,02,03
	01	R2029	-----	NRSA63J-102X	MG RESISTOR	(Addition)	1	01
	01	R2030	NRSA63J-102X	-----	MG RESISTOR	(Deletion)	1	01,02,03
	01	R2030	-----	NRSA63J-102X	MG RESISTOR	(Addition)	1	01
	01	R2031	NRSA63J-272X	-----	MG RESISTOR	(Deletion)	1	01,02,03
	01	R2031	-----	NRSA63J-272X	MG RESISTOR	(Addition)	1	01



△	Symbol	or	Part No.		Part Name	Description	Qty	Models
			<Rev.001>	<Rev.002>				
	01	R2068	-----	NRSA63J-101X	MG RESISTOR	(Addition)	1	01
	01	R2069	NRSA63J-102X	-----	MG RESISTOR	(Deletion)	1	01,02,03
	01	R2069	-----	NRSA63J-102X	MG RESISTOR	(Addition)	1	01
	01	R2070	NRSA63J-102X	-----	MG RESISTOR	(Deletion)	1	01,02,03
	01	R2070	-----	NRSA63J-102X	MG RESISTOR	(Addition)	1	01
	01	R2071	NRSA63J-101X	-----	MG RESISTOR	(Deletion)	1	01,02,03
	01	R2071	-----	NRSA63J-101X	MG RESISTOR	(Addition)	1	01
	01	R2072	NRSA63J-101X	-----	MG RESISTOR	(Deletion)	1	01,02,03
	01	R2072	-----	NRSA63J-101X	MG RESISTOR	(Addition)	1	01
	01	R2073	NRSA63J-473X	-----	MG RESISTOR	(Deletion)	1	01,02,03
	01	R2073	-----	NRSA63J-473X	MG RESISTOR	(Addition)	1	01
	01	R2074	NRSA63J-102X	-----	MG RESISTOR	(Deletion)	1	01,02,03
	01	R2074	-----	NRSA63J-102X	MG RESISTOR	(Addition)	1	01
	01	R2075	NRSA63J-102X	-----	MG RESISTOR	(Deletion)	1	01,02,03
	01	R2075	-----	NRSA63J-102X	MG RESISTOR	(Addition)	1	01
	01	R2076	NRSA63J-102X	-----	MG RESISTOR	(Deletion)	1	01,02,03
	01	R2076	-----	NRSA63J-102X	MG RESISTOR	(Addition)	1	01
	01	R2077	NRSA63J-472X	-----	MG RESISTOR	(Deletion)	1	01,02,03
	01	R2077	-----	NRSA63J-472X	MG RESISTOR	(Addition)	1	01
	01	R2078	NRSA63J-472X	-----	MG RESISTOR	(Deletion)	1	01,02,03
	01	R2078	-----	NRSA63J-472X	MG RESISTOR	(Addition)	1	01
	01	R2079	NRSA63J-101X	-----	MG RESISTOR	(Deletion)	1	01,02,03
	01	R2079	-----	NRSA63J-101X	MG RESISTOR	(Addition)	1	01
	01	R2080	NRSA63J-101X	-----	MG RESISTOR	(Deletion)	1	01,02,03
	01	R2080	-----	NRSA63J-101X	MG RESISTOR	(Addition)	1	01
	01	R2081	NRSA63J-102X	-----	MG RESISTOR	(Deletion)	1	01,02,03
	01	R2081	-----	NRSA63J-102X	MG RESISTOR	(Addition)	1	01
	01	R2082	NRSA63J-102X	-----	MG RESISTOR	(Deletion)	1	01,02,03
	01	R2082	-----	NRSA63J-102X	MG RESISTOR	(Addition)	1	01
	01	R2083	NRSA63J-102X	-----	MG RESISTOR	(Deletion)	1	01,02,03
	01	R2083	-----	NRSA63J-102X	MG RESISTOR	(Addition)	1	01
	01	R2084	NRSA63J-101X	-----	MG RESISTOR	(Deletion)	1	01,02,03
	01	R2084	-----	NRSA63J-101X	MG RESISTOR	(Addition)	1	01
	01	R2085	NRSA63J-102X	-----	MG RESISTOR	(Deletion)	1	01,02,03
	01	R2085	-----	NRSA63J-102X	MG RESISTOR	(Addition)	1	01
	01	R2086	NRSA63J-0R0X	-----	MG RESISTOR	(Deletion)	1	01,02,03
	01	R2086	-----	NRSA63J-0R0X	MG RESISTOR	(Addition)	1	01
	01	R2087	NRSA63J-101X	-----	MG RESISTOR	(Deletion)	1	01,02,03
	01	R2087	-----	NRSA63J-101X	MG RESISTOR	(Addition)	1	01
	01	R2088	NRSA63J-102X	-----	MG RESISTOR	(Deletion)	1	01,02,03
	01	R2088	-----	NRSA63J-102X	MG RESISTOR	(Addition)	1	01
	01	R2089	NRSA63J-102X	-----	MG RESISTOR	(Deletion)	1	01,02,03
	01	R2089	-----	NRSA63J-102X	MG RESISTOR	(Addition)	1	01
	01	R2101	NRSA63J-684X	-----	MG RESISTOR	(Deletion)	1	02,03
	01	R2102	NRSA63J-684X	-----	MG RESISTOR	(Deletion)	1	02,03
	01	R2103	NRSA63J-472X	-----	MG RESISTOR	(Deletion)	1	01,02,03
	01	R2103	-----	NRSA63J-472X	MG RESISTOR	(Addition)	1	01
	01	R2104	NRS181J-220X	-----	MG RESISTOR	(Deletion)	1	01,02,03
	01	R2104	-----	NRS181J-220X	MG RESISTOR	(Addition)	1	01
	01	R2105	NRSA63J-101X	-----	MG RESISTOR	(Deletion)	1	01,02,03
	01	R2105	-----	NRSA63J-101X	MG RESISTOR	(Addition)	1	01
	01	R2106	NRSA63J-101X	-----	MG RESISTOR	(Deletion)	1	01,02,03
	01	R2106	-----	NRSA63J-101X	MG RESISTOR	(Addition)	1	01
	01	R2107	NRSA63J-103X	-----	MG RESISTOR	(Deletion)	1	01,02,03
	01	R2107	-----	NRSA63J-103X	MG RESISTOR	(Addition)	1	01
	01	R2108	NRSA63J-103X	-----	MG RESISTOR	(Deletion)	1	01,02,03
	01	R2108	-----	NRSA63J-103X	MG RESISTOR	(Addition)	1	01
	01	R2109	NRSA63J-102X	-----	MG RESISTOR	(Deletion)	1	02,03
	01	R2110	NRSA63J-102X	-----	MG RESISTOR	(Deletion)	1	02,03
	01	R2112	NRSA63J-102X	-----	MG RESISTOR	(Deletion)	1	02,03
	01	R2113	NRSA63J-0R0X	-----	MG RESISTOR	(Deletion)	1	01,02,03
	01	R2113	-----	NRSA63J-0R0X	MG RESISTOR	(Addition)	1	01
	01	R2114	NRSA63J-0R0X	-----	MG RESISTOR	(Deletion)	1	01,02,03
	01	R2114	-----	NRSA63J-0R0X	MG RESISTOR	(Addition)	1	01
	01	R2201	NRSA63J-104X	-----	MG RESISTOR	(Deletion)	1	01,02,03
	01	R2201	-----	NRSA63J-104X	MG RESISTOR	(Addition)	1	01
	01	R2202	NRSA63J-394X	-----	MG RESISTOR	(Deletion)	1	01,02,03
	01	R2202	-----	NRSA63J-394X	MG RESISTOR	(Addition)	1	01

△	Symbol	or	Part No.		Part Name	Description	Qty	Models
			<Rev.001>	<Rev.002>				
01	R2203		NRSA63J-104X	-----	MG RESISTOR	(Deletion)	1	02
01	R2204		NRSA63J-823X	-----	MG RESISTOR	(Deletion)	1	02
01	R2205		NRSA63J-0R0X	-----	MG RESISTOR	(Deletion)	1	02
01	R2206		NRSA63J-0R0X	-----	MG RESISTOR	(Deletion)	1	02
01	R2207		NRSA63J-472X	-----	MG RESISTOR	(Deletion)	1	02
01	R2208		NRSA63J-101X	-----	MG RESISTOR	(Deletion)	1	02
01	R2209		NRS181J-220X	-----	MG RESISTOR	(Deletion)	1	02
01	R2210		NRSA63J-101X	-----	MG RESISTOR	(Deletion)	1	02
01	R2211		NRSA63J-103X	-----	MG RESISTOR	(Deletion)	1	02
01	R2212		NRSA63J-103X	-----	MG RESISTOR	(Deletion)	1	02
01	R2213		NRSA63J-102X	-----	MG RESISTOR	(Deletion)	1	02
01	R2214		NRSA63J-102X	-----	MG RESISTOR	(Deletion)	1	02
01	R2215		NRSA63J-102X	-----	MG RESISTOR	(Deletion)	1	02
01	R2301		NRSA63J-0R0X	-----	MG RESISTOR	(Deletion)	1	02,03
01	R2302		NRSA63J-0R0X	-----	MG RESISTOR	(Deletion)	1	02,03
01	R2305		NRSA63J-473X	-----	MG RESISTOR	(Deletion)	1	01,02,03
01	R2305		-----	NRSA63J-473X	MG RESISTOR	(Addition)	1	01
01	R2306		NRSA63J-473X	-----	MG RESISTOR	(Deletion)	1	01,02,03
01	R2306		-----	NRSA63J-473X	MG RESISTOR	(Addition)	1	01
01	R2309		NRSA63J-471X	-----	MG RESISTOR	(Deletion)	1	01,02,03
01	R2309		-----	NRSA63J-471X	MG RESISTOR	(Addition)	1	01
01	R2310		NRSA63J-473X	-----	MG RESISTOR	(Deletion)	1	01,02,03
01	R2310		-----	NRSA63J-473X	MG RESISTOR	(Addition)	1	01
01	R2311		NRSA63J-473X	-----	MG RESISTOR	(Deletion)	1	01,02,03
01	R2311		-----	NRSA63J-473X	MG RESISTOR	(Addition)	1	01
01	R2312		NRSA63J-222X	-----	MG RESISTOR	(Deletion)	1	01,02,03
01	R2312		-----	NRSA63J-222X	MG RESISTOR	(Addition)	1	01
01	R2313		NRSA63J-101X	-----	MG RESISTOR	(Deletion)	1	01,02,03
01	R2313		-----	NRSA63J-101X	MG RESISTOR	(Addition)	1	01
01	R2314		NRSA63J-101X	-----	MG RESISTOR	(Deletion)	1	01,02,03
01	R2314		-----	NRSA63J-101X	MG RESISTOR	(Addition)	1	01
01	R2316		NRSA63J-222X	-----	MG RESISTOR	(Deletion)	1	01,02,03
01	R2316		-----	NRSA63J-222X	MG RESISTOR	(Addition)	1	01
01	R2317		NRSA63J-473X	-----	MG RESISTOR	(Deletion)	1	01,02,03
01	R2317		-----	NRSA63J-473X	MG RESISTOR	(Addition)	1	01
01	R2318		NRSA63J-473X	-----	MG RESISTOR	(Deletion)	1	01,02,03
01	R2318		-----	NRSA63J-473X	MG RESISTOR	(Addition)	1	01
01	R2319		NRSA63J-102X	-----	MG RESISTOR	(Deletion)	1	01,02,03
01	R2319		-----	NRSA63J-102X	MG RESISTOR	(Addition)	1	01
01	R2320		NRSA63J-154X	-----	MG RESISTOR	(Deletion)	1	01,02,03
01	R2320		-----	NRSA63J-154X	MG RESISTOR	(Addition)	1	01
01	R2321		NRSA63J-822X	-----	MG RESISTOR	(Deletion)	1	01,02,03
01	R2321		-----	NRSA63J-822X	MG RESISTOR	(Addition)	1	01
01	R2323		NRSA63J-102X	-----	MG RESISTOR	(Deletion)	1	01,02,03
01	R2323		-----	NRSA63J-102X	MG RESISTOR	(Addition)	1	01
01	R2324		NRSA63J-473X	-----	MG RESISTOR	(Deletion)	1	01,02,03
01	R2324		-----	NRSA63J-473X	MG RESISTOR	(Addition)	1	01
01	R2325		NRSA63J-102X	-----	MG RESISTOR	(Deletion)	1	01,02,03
01	R2325		-----	NRSA63J-102X	MG RESISTOR	(Addition)	1	01
01	R2326		NRSA63J-221X	-----	MG RESISTOR	(Deletion)	1	01,02,03
01	R2326		-----	NRSA63J-221X	MG RESISTOR	(Addition)	1	01
01	R2327		NRSA63J-221X	-----	MG RESISTOR	(Deletion)	1	01,02,03
01	R2327		-----	NRSA63J-221X	MG RESISTOR	(Addition)	1	01
01	R2328		NRSA63J-473X	-----	MG RESISTOR	(Deletion)	1	01,02,03
01	R2328		-----	NRSA63J-473X	MG RESISTOR	(Addition)	1	01
01	R2329		NRSA63J-473X	-----	MG RESISTOR	(Deletion)	1	01,02,03
01	R2329		-----	NRSA63J-473X	MG RESISTOR	(Addition)	1	01
01	R2330		NRSA63J-473X	-----	MG RESISTOR	(Deletion)	1	01,02,03
01	R2330		-----	NRSA63J-473X	MG RESISTOR	(Addition)	1	01
01	R2331		NRSA63J-473X	-----	MG RESISTOR	(Deletion)	1	01,02,03
01	R2331		-----	NRSA63J-473X	MG RESISTOR	(Addition)	1	01
01	R2332		NRSA63J-102X	-----	MG RESISTOR	(Deletion)	1	01,02,03
01	R2332		-----	NRSA63J-102X	MG RESISTOR	(Addition)	1	01
01	R2333		NRSA63J-102X	-----	MG RESISTOR	(Deletion)	1	01,02,03
01	R2333		-----	NRSA63J-102X	MG RESISTOR	(Addition)	1	01
01	R2334		NRSA63J-102X	-----	MG RESISTOR	(Deletion)	1	01,02,03
01	R2334		-----	NRSA63J-102X	MG RESISTOR	(Addition)	1	01
01	R2335		NRSA63J-102X	-----	MG RESISTOR	(Deletion)	1	01,02,03



△	Symbol	or	Part No.		Part Name	Description	Qty	Models
			<Rev.001>	<Rev.002>				
01	R2335		-----	NRSA63J-102X	MG RESISTOR	(Addition)	1	01
01	R2336		NRSA63J-102X	-----	MG RESISTOR	(Deletion)	1	01,02,03
01	R2336		-----	NRSA63J-102X	MG RESISTOR	(Addition)	1	01
01	R2337		NRSA63J-102X	-----	MG RESISTOR	(Deletion)	1	01,02,03
01	R2337		-----	NRSA63J-102X	MG RESISTOR	(Addition)	1	01
01	R2338		NRSA63J-102X	-----	MG RESISTOR	(Deletion)	1	01,02,03
01	R2338		-----	NRSA63J-102X	MG RESISTOR	(Addition)	1	01
01	R2339		NRSA63J-221X	-----	MG RESISTOR	(Deletion)	1	01,02,03
01	R2339		-----	NRSA63J-221X	MG RESISTOR	(Addition)	1	01
01	R2340		NRSA63J-102X	-----	MG RESISTOR	(Deletion)	1	01,02,03
01	R2340		-----	NRSA63J-102X	MG RESISTOR	(Addition)	1	01
01	R2341		NRSA63J-221X	-----	MG RESISTOR	(Deletion)	1	01,02,03
01	R2341		-----	NRSA63J-221X	MG RESISTOR	(Addition)	1	01
01	R2342		NRSA63J-221X	-----	MG RESISTOR	(Deletion)	1	01,02,03
01	R2342		-----	NRSA63J-221X	MG RESISTOR	(Addition)	1	01
01	R2343		NRSA63J-221X	-----	MG RESISTOR	(Deletion)	1	01,02,03
01	R2343		-----	NRSA63J-221X	MG RESISTOR	(Addition)	1	01
01	R2344		NRSA63J-221X	-----	MG RESISTOR	(Deletion)	1	01,02,03
01	R2344		-----	NRSA63J-221X	MG RESISTOR	(Addition)	1	01
01	R2345		NRSA63J-221X	-----	MG RESISTOR	(Deletion)	1	01,02,03
01	R2345		-----	NRSA63J-221X	MG RESISTOR	(Addition)	1	01
01	R2346		NRSA63J-221X	-----	MG RESISTOR	(Deletion)	1	01,02,03
01	R2346		-----	NRSA63J-221X	MG RESISTOR	(Addition)	1	01
01	R2347		NRSA63J-221X	-----	MG RESISTOR	(Deletion)	1	01,02,03
01	R2347		-----	NRSA63J-221X	MG RESISTOR	(Addition)	1	01
01	R2348		NRSA63J-273X	-----	MG RESISTOR	(Deletion)	1	01,02,03
01	R2348		-----	NRSA63J-273X	MG RESISTOR	(Addition)	1	01
01	R2349		NRSA63J-100X	-----	MG RESISTOR	(Deletion)	1	01,02,03
01	R2349		-----	NRSA63J-100X	MG RESISTOR	(Addition)	1	01
01	R2401		NRSA63J-104X	-----	MG RESISTOR	(Deletion)	1	01,02,03
01	R2401		-----	NRSA63J-104X	MG RESISTOR	(Addition)	1	01
01	R2402		NRSA63J-222X	-----	MG RESISTOR	(Deletion)	1	01,02,03
01	R2402		-----	NRSA63J-222X	MG RESISTOR	(Addition)	1	01
01	R2403		NRSA63D-682X	-----	MG RESISTOR	(Deletion)	1	01,02,03
01	R2403		-----	NRSA63D-682X	MG RESISTOR	(Addition)	1	01
01	R2404		NRSA63D-222X	-----	MG RESISTOR	(Deletion)	1	01,02,03
01	R2404		-----	NRSA63D-222X	MG RESISTOR	(Addition)	1	01
01	R2501		NRSA63J-103X	-----	MG RESISTOR	(Deletion)	1	01,02,03
01	R2501		-----	NRSA63J-103X	MG RESISTOR	(Addition)	1	01
01	R2502		NRSA63J-101X	-----	MG RESISTOR	(Deletion)	1	01,02,03
01	R2502		-----	NRSA63J-101X	MG RESISTOR	(Addition)	1	01
01	R2503		NRSA63J-104X	-----	MG RESISTOR	(Deletion)	1	01,02,03
01	R2503		-----	NRSA63J-104X	MG RESISTOR	(Addition)	1	01
01	R2504		NRSA63J-0R0X	-----	MG RESISTOR	(Deletion)	1	01,02,03
01	R2504		-----	NRSA63J-0R0X	MG RESISTOR	(Addition)	1	01
01	R2505		NRSA63J-332X	-----	MG RESISTOR	(Deletion)	1	01,02,03
01	R2505		-----	NRSA63J-332X	MG RESISTOR	(Addition)	1	01
01	R2506		NRSA63J-332X	-----	MG RESISTOR	(Deletion)	1	01,02,03
01	R2506		-----	NRSA63J-332X	MG RESISTOR	(Addition)	1	01
01	R2507		NRSA63J-473X	-----	MG RESISTOR	(Deletion)	1	01,02,03
01	R2507		-----	NRSA63J-473X	MG RESISTOR	(Addition)	1	01
01	R2508		NRSA63J-273X	-----	MG RESISTOR	(Deletion)	1	01,02,03
01	R2508		-----	NRSA63J-273X	MG RESISTOR	(Addition)	1	01
01	R2509		NRSA63J-103X	-----	MG RESISTOR	(Deletion)	1	01,02,03
01	R2509		-----	NRSA63J-103X	MG RESISTOR	(Addition)	1	01
01	R2510		NRSA63J-224X	-----	MG RESISTOR	(Deletion)	1	01,02,03
01	R2510		-----	NRSA63J-224X	MG RESISTOR	(Addition)	1	01
01	R2511		NRSA63J-224X	-----	MG RESISTOR	(Deletion)	1	01,02,03
01	R2511		-----	NRSA63J-224X	MG RESISTOR	(Addition)	1	01
01	R2512		NRSA63J-101X	-----	MG RESISTOR	(Deletion)	1	01,02,03
01	R2512		-----	NRSA63J-101X	MG RESISTOR	(Addition)	1	01
01	R2513		NRSA63J-101X	-----	MG RESISTOR	(Deletion)	1	01,02,03
01	R2513		-----	NRSA63J-101X	MG RESISTOR	(Addition)	1	01
01	R2514		NRSA63J-101X	-----	MG RESISTOR	(Deletion)	1	01,02,03
01	R2514		-----	NRSA63J-101X	MG RESISTOR	(Addition)	1	01
01	R2515		NRSA63J-101X	-----	MG RESISTOR	(Deletion)	1	01,02,03
01	R2515		-----	NRSA63J-101X	MG RESISTOR	(Addition)	1	01
01	R2516		NRSA63J-101X	-----	MG RESISTOR	(Deletion)	1	01,02,03



△	Symbol	or	Part No.		Part Name	Description	Qty	Models
			<Rev.001>	<Rev.002>				
01	R2551		NRSA63J-104X	-----	MG RESISTOR	(Deletion)	1	01,02,03
01	R2551		-----	NRSA63J-104X	MG RESISTOR	(Addition)	1	01
01	R2552		NRSA63J-473X	-----	MG RESISTOR	(Deletion)	1	01,02,03
01	R2552		-----	NRSA63J-473X	MG RESISTOR	(Addition)	1	01
01	R2553		NRSA63J-103X	-----	MG RESISTOR	(Deletion)	1	01,02,03
01	R2553		-----	NRSA63J-103X	MG RESISTOR	(Addition)	1	01
01	R2554		NRSA63J-472X	-----	MG RESISTOR	(Deletion)	1	01,02,03
01	R2554		-----	NRSA63J-472X	MG RESISTOR	(Addition)	1	01
01	R2555		NRSA63J-473X	-----	MG RESISTOR	(Deletion)	1	01,02,03
01	R2555		-----	NRSA63J-473X	MG RESISTOR	(Addition)	1	01
01	R2556		NRSA63J-273X	-----	MG RESISTOR	(Deletion)	1	01,02,03
01	R2556		-----	NRSA63J-273X	MG RESISTOR	(Addition)	1	01
01	R2557		NRSA63J-103X	-----	MG RESISTOR	(Deletion)	1	01,02,03
01	R2557		-----	NRSA63J-103X	MG RESISTOR	(Addition)	1	01
01	R2558		NRSA63J-472X	-----	MG RESISTOR	(Deletion)	1	01,02,03
01	R2558		-----	NRSA63J-472X	MG RESISTOR	(Addition)	1	01
01	R2559		NRSA63J-821X	-----	MG RESISTOR	(Deletion)	1	01,02,03
01	R2559		-----	NRSA63J-821X	MG RESISTOR	(Addition)	1	01
01	R2560		NRSA63J-182X	-----	MG RESISTOR	(Deletion)	1	01,02,03
01	R2560		-----	NRSA63J-182X	MG RESISTOR	(Addition)	1	01
01	R2561		NRSA63J-101X	-----	MG RESISTOR	(Deletion)	1	01,02,03
01	R2561		-----	NRSA63J-101X	MG RESISTOR	(Addition)	1	01
01	R2562		NRSA63J-101X	-----	MG RESISTOR	(Deletion)	1	01,02,03
01	R2562		-----	NRSA63J-101X	MG RESISTOR	(Addition)	1	01
01	R2563		NRSA63J-682X	-----	MG RESISTOR	(Deletion)	1	01,02,03
01	R2563		-----	NRSA63J-682X	MG RESISTOR	(Addition)	1	01
01	R2564		NRSA63J-682X	-----	MG RESISTOR	(Deletion)	1	01,02,03
01	R2564		-----	NRSA63J-682X	MG RESISTOR	(Addition)	1	01
01	R2801		NRSA63J-473X	-----	MG RESISTOR	(Deletion)	1	01,02,03
01	R2801		-----	NRSA63J-473X	MG RESISTOR	(Addition)	1	01
01	R2802		NRSA63J-222X	-----	MG RESISTOR	(Deletion)	1	01,02,03
01	R2802		-----	NRSA63J-222X	MG RESISTOR	(Addition)	1	01
01	R2803		NRSA63J-473X	-----	MG RESISTOR	(Deletion)	1	01,02,03
01	R2803		-----	NRSA63J-473X	MG RESISTOR	(Addition)	1	01
01	R2804		NRSA63J-473X	-----	MG RESISTOR	(Deletion)	1	01,02,03
01	R2804		-----	NRSA63J-473X	MG RESISTOR	(Addition)	1	01
01	R2805		NRSA63J-106X	-----	MG RESISTOR	(Deletion)	1	01,02,03
01	R2805		-----	NRSA63J-106X	MG RESISTOR	(Addition)	1	01
01	R2806		NRSA63J-0R0X	-----	MG RESISTOR	(Deletion)	1	01,02,03
01	R2806		-----	NRSA63J-0R0X	MG RESISTOR	(Addition)	1	01
01	R2807		NRSA63J-0R0X	-----	MG RESISTOR	(Deletion)	1	01,02,03
01	R2807		-----	NRSA63J-0R0X	MG RESISTOR	(Addition)	1	01
01	R2808		NRSA63J-106X	-----	MG RESISTOR	(Deletion)	1	01,02,03
01	R2808		-----	NRSA63J-106X	MG RESISTOR	(Addition)	1	01
01	R2809		NRSA63J-472X	-----	MG RESISTOR	(Deletion)	1	01,02,03
01	R2809		-----	NRSA63J-472X	MG RESISTOR	(Addition)	1	01
01	R2810		NRSA63J-472X	-----	MG RESISTOR	(Deletion)	1	01,02,03
01	R2810		-----	NRSA63J-472X	MG RESISTOR	(Addition)	1	01
01	R2811		NRSA63J-472X	-----	MG RESISTOR	(Deletion)	1	01,02,03
01	R2811		-----	NRSA63J-472X	MG RESISTOR	(Addition)	1	01
01	R2812		NRSA63J-472X	-----	MG RESISTOR	(Deletion)	1	01,02,03
01	R2812		-----	NRSA63J-472X	MG RESISTOR	(Addition)	1	01
01	R2813		NRSA63J-472X	-----	MG RESISTOR	(Deletion)	1	01,02,03
01	R2813		-----	NRSA63J-472X	MG RESISTOR	(Addition)	1	01
01	R2814		NRSA63J-472X	-----	MG RESISTOR	(Deletion)	1	01,02,03
01	R2814		-----	NRSA63J-472X	MG RESISTOR	(Addition)	1	01
01	R2817		NRSA63J-472X	-----	MG RESISTOR	(Deletion)	1	01,02,03
01	R2817		-----	NRSA63J-472X	MG RESISTOR	(Addition)	1	01
01	R2818		NRSA63J-472X	-----	MG RESISTOR	(Deletion)	1	01,02,03
01	R2818		-----	NRSA63J-472X	MG RESISTOR	(Addition)	1	01
01	R2821		NRSA63J-103X	-----	MG RESISTOR	(Deletion)	1	01,02,03
01	R2821		-----	NRSA63J-103X	MG RESISTOR	(Addition)	1	01
01	R2822		NRSA63J-104X	-----	MG RESISTOR	(Deletion)	1	01,02,03
01	R2822		-----	NRSA63J-104X	MG RESISTOR	(Addition)	1	01
01	R2823		NRSA63J-273X	-----	MG RESISTOR	(Deletion)	1	01,02,03
01	R2823		-----	NRSA63J-273X	MG RESISTOR	(Addition)	1	01
01	R2824		NRSA63J-473X	-----	MG RESISTOR	(Deletion)	1	01,02,03
01	R2824		-----	NRSA63J-473X	MG RESISTOR	(Addition)	1	01

△	Symbol	or	Part No.		Part Name	Description	Qty	Models
			<Rev.001>	<Rev.002>				
	01	R2827	NRSA63J-103X	-----	MG RESISTOR	(Deletion)	1	01,02,03
	01	R2827	-----	NRSA63J-103X	MG RESISTOR	(Addition)	1	01
	01	R2828	NRSA63J-101X	-----	MG RESISTOR	(Deletion)	1	01,02,03
	01	R2828	-----	NRSA63J-101X	MG RESISTOR	(Addition)	1	01
	01	R2829	NRSA63J-101X	-----	MG RESISTOR	(Deletion)	1	01,02,03
	01	R2829	-----	NRSA63J-101X	MG RESISTOR	(Addition)	1	01
	01	R2830	NRSA63J-473X	-----	MG RESISTOR	(Deletion)	1	01,02,03
	01	R2830	-----	NRSA63J-473X	MG RESISTOR	(Addition)	1	01
	01	R2831	NRSA63J-472X	-----	MG RESISTOR	(Deletion)	1	01,02,03
	01	R2831	-----	NRSA63J-472X	MG RESISTOR	(Addition)	1	01
	01	R2832	NRSA63J-472X	-----	MG RESISTOR	(Deletion)	1	01,02,03
	01	R2832	-----	NRSA63J-472X	MG RESISTOR	(Addition)	1	01
	01	R2833	NRSA63J-472X	-----	MG RESISTOR	(Deletion)	1	01,02,03
	01	R2833	-----	NRSA63J-472X	MG RESISTOR	(Addition)	1	01
	01	R2834	NRSA63J-472X	-----	MG RESISTOR	(Deletion)	1	01,02,03
	01	R2834	-----	NRSA63J-472X	MG RESISTOR	(Addition)	1	01
	01	R2835	NRSA63J-822X	-----	MG RESISTOR	(Deletion)	1	01,02,03
	01	R2835	-----	NRSA63J-822X	MG RESISTOR	(Addition)	1	01
	01	R2836	NRSA63D-472X	-----	MG RESISTOR	(Deletion)	1	01,02,03
	01	R2836	-----	NRSA63D-472X	MG RESISTOR	(Addition)	1	01
	01	R2837	NRSA63D-472X	-----	MG RESISTOR	(Deletion)	1	01,02,03
	01	R2837	-----	NRSA63D-472X	MG RESISTOR	(Addition)	1	01
	01	R2838	NRSA63D-472X	-----	MG RESISTOR	(Deletion)	1	02
	01	R2839	NRSA63D-243X	-----	MG RESISTOR	(Deletion)	1	01,02,03
	01	R2839	-----	NRSA63D-243X	MG RESISTOR	(Addition)	1	01
	01	R2840	NRSA63D-104X	-----	MG RESISTOR	(Deletion)	1	01,02,03
	01	R2840	-----	NRSA63D-104X	MG RESISTOR	(Addition)	1	01
	01	R2843	NRSA63J-472X	-----	MG RESISTOR	(Deletion)	1	01,02,03
	01	R2843	-----	NRSA63J-472X	MG RESISTOR	(Addition)	1	01
	01	R2844	NRSA63J-153X	-----	MG RESISTOR	(Deletion)	1	02
	01	R2901	NRSA63J-103X	-----	MG RESISTOR	(Deletion)	1	01,02,03
	01	R2901	-----	NRSA63J-103X	MG RESISTOR	(Addition)	1	01
	01	R2902	NRSA63J-472X	-----	MG RESISTOR	(Deletion)	1	01,02,03
	01	R2902	-----	NRSA63J-472X	MG RESISTOR	(Addition)	1	01
	01	R2903	NRSA63J-203X	-----	MG RESISTOR	(Deletion)	1	01,02,03
	01	R2903	-----	NRSA63J-203X	MG RESISTOR	(Addition)	1	01
	01	R2904	NRSA63J-473X	-----	MG RESISTOR	(Deletion)	1	01,02,03
	01	R2904	-----	NRSA63J-473X	MG RESISTOR	(Addition)	1	01
	01	R2905	NRSA63J-153X	-----	MG RESISTOR	(Deletion)	1	01,02,03
	01	R2905	-----	NRSA63J-153X	MG RESISTOR	(Addition)	1	01
	01	R2906	NRSA63J-473X	-----	MG RESISTOR	(Deletion)	1	01,02,03
	01	R2906	-----	NRSA63J-473X	MG RESISTOR	(Addition)	1	01
	01	R2909	NRS181J-332X	-----	MG RESISTOR	(Deletion)	1	01,02,03
	01	R2909	-----	NRS181J-332X	MG RESISTOR	(Addition)	1	01
	01	L2101	NQL093K-R22X	-----	COIL	(Deletion)	1	01,02,03
	01	L2101	-----	NQL093K-R22X	COIL	(Addition)	1	01
	01	L2102	NQL093K-4R7X	-----	COIL	(Deletion)	1	01,02,03
	01	L2102	-----	NQL093K-4R7X	COIL	(Addition)	1	01
	01	L2103	NQL093K-R47X	-----	COIL	(Deletion)	1	01,02,03
	01	L2103	-----	NQL093K-R47X	COIL	(Addition)	1	01
	01	L2104	NQL093K-1R8X	-----	COIL	(Deletion)	1	01,02,03
	01	L2104	-----	NQL093K-1R8X	COIL	(Addition)	1	01
	01	L2105	NQL093K-R47X	-----	COIL	(Deletion)	1	01,02,03
	01	L2105	-----	NQL093K-R47X	COIL	(Addition)	1	01
	01	L2106	NQL114K-561X	-----	P COIL	(Deletion)	1	01,02,03
	01	L2106	-----	NQL114K-561X	P COIL	(Addition)	1	01
	01	L2107	NQL114K-561X	-----	P COIL	(Deletion)	1	01,02,03
	01	L2107	-----	NQL114K-561X	P COIL	(Addition)	1	01
	01	L2201	NQL093K-2R7X	-----	COIL	(Deletion)	1	02
	01	L2202	NQL093K-R22X	-----	COIL	(Deletion)	1	02
	01	L2501	NQL79GM-4R7X	-----	COIL	(Deletion)	1	01,02,03
	01	L2501	-----	NQL79GM-4R7X	COIL	(Addition)	1	01
	01	L2801	NQL79GK-470X	-----	COIL	(Deletion)	1	01,02,03
	01	L2801	-----	NQL79GK-470X	COIL	(Addition)	1	01
	01	L2901	QQR0703-001	-----	CHOKE COIL	(Deletion)	1	01,02,03
	01	L2901	-----	QQR0703-001	CHOKE COIL	(Addition)	1	01
	01	L2902	NQL79GK-101X	-----	COIL	(Deletion)	1	01,02,03
	01	L2902	-----	NQL79GK-101X	COIL	(Addition)	1	01

△	Symbol	or	Part No.		Part Name	Description	Qty	Models
			<Rev.001>	<Rev.002>				
01	T2101		QQR1813-001	-----	COIL	(Deletion)	1	01,02,03
01	T2101		-----	QQR1813-001	COIL	(Addition)	1	01
01	T2201		QQR1813-001	-----	COIL	(Deletion)	1	02
01	BZ251		QAN0023-001Z	-----	BUZZER	(Deletion)	1	01,02,03
01	BZ251		-----	QAN0023-001Z	BUZZER	(Addition)	1	01
01	CN231		QGA2501C1-02	-----	CONNECTOR	(Deletion)	1	01,02,03
01	CN231		-----	QGA2501C1-02	CONNECTOR	(Addition)	1	01
01	CN241		QNZ0984-002	-----	CAR CONNECTOR	(Deletion)	1	01,02,03
01	CN241		-----	QNZ0984-002	CAR CONNECTOR	(Addition)	1	01
01	CN251		QGB1004K2-30W	-----	CONNECTOR	(Deletion)	1	01,02,03
01	CN251		-----	QGB1004K2-30W	CONNECTOR	(Addition)	1	01
01	CN252		QGB0815K1-60X	-----	CONNECTOR	(Deletion)	1	01,02,03
01	CN252		-----	QGB0815K1-60X	CONNECTOR	(Addition)	1	01
01	CN261		QGA1217C2-03X	-----	CONNECTOR	(Deletion)	1	02
01	CN291		QNZ0090-001	-----	CAR CONNECTOR	(Deletion)	1	01,02,03
01	CN291		-----	QNZ0090-001	CAR CONNECTOR	(Addition)	1	01
01	CN481		QGA1217C2-03X	-----	CONNECTOR	(Deletion)	1	02
01	EP201		NNZ0165-001X	-----	EARTH TERMINAL	(Deletion)	1	01,02,03
01	EP201		-----	NNZ0165-001X	EARTH TERMINAL	(Addition)	1	01
01	EP202		NNZ0165-001X	-----	EARTH TERMINAL	(Deletion)	1	01,02,03
01	EP202		-----	NNZ0165-001X	EARTH TERMINAL	(Addition)	1	01
01	EP203		NNZ0165-001X	-----	EARTH TERMINAL	(Deletion)	1	01,02,03
01	EP203		-----	NNZ0165-001X	EARTH TERMINAL	(Addition)	1	01
01	EP204		NNZ0165-001X	-----	EARTH TERMINAL	(Deletion)	1	01,02,03
01	EP204		-----	NNZ0165-001X	EARTH TERMINAL	(Addition)	1	01
01	EP205		NNZ0165-001X	-----	EARTH TERMINAL	(Deletion)	1	01,02,03
01	EP205		-----	NNZ0165-001X	EARTH TERMINAL	(Addition)	1	01
01	EP481		NNZ0165-001X	-----	EARTH TERMINAL	(Deletion)	1	02
△	01	F2901	NMFZ018-5R0X-E	-----	FUSE	(Deletion)	1	01,02,03
△	01	F2901	-----	NMFZ018-5R0X-E	FUSE	(Addition)	1	01
△	01	F2902	NMFZ018-5R0X-E	-----	FUSE	(Deletion)	1	01,02,03
△	01	F2902	-----	NMFZ018-5R0X-E	FUSE	(Addition)	1	01
01	J2301		QNN0775-001	-----	PIN JACK	(Deletion)	1	01,02,03
01	J2301		-----	QNN0775-001	PIN JACK	(Addition)	1	01
01	K2401		NQR0201-004X	-----	FERRITE BEADS	(Deletion)	1	01,02,03
01	K2401		-----	NQR0201-004X	FERRITE BEADS	(Addition)	1	01
01	K2402		NQR0201-004X	-----	FERRITE BEADS	(Deletion)	1	01,02,03
01	K2402		-----	NQR0201-004X	FERRITE BEADS	(Addition)	1	01
01	K2403		NQR0389-001X	-----	FERRITE BEADS	(Deletion)	1	01,02,03
01	K2403		-----	NQR0389-001X	FERRITE BEADS	(Addition)	1	01
01	K2404		NQR0389-001X	-----	FERRITE BEADS	(Deletion)	1	01,02,03
01	K2404		-----	NQR0389-001X	FERRITE BEADS	(Addition)	1	01
01	PP1		QZW0010-001	-----	STYLE PIN	(Deletion)	1	01,02,03
01	PP1		-----	QZW0010-001	STYLE PIN	(Addition)	1	01
01	PP2		QZW0010-001	-----	STYLE PIN	(Deletion)	1	01,02,03
01	PP2		-----	QZW0010-001	STYLE PIN	(Addition)	1	01
01	TH201		NAD0028-103X	-----	N THERMISTOR	(Deletion)	1	01,02,03
01	TH201		-----	NAD0028-103X	N THERMISTOR	(Addition)	1	01
01	TH231		NAD0028-103X	-----	N THERMISTOR	(Deletion)	1	01,02,03
01	TH231		-----	NAD0028-103X	N THERMISTOR	(Addition)	1	01
01	W2101		QAM1233-001	-----	CAR CABLE	(Deletion)	1	01,02,03
01	W2101		-----	QAM1233-001	CAR CABLE	(Addition)	1	01
01	X2001		QAX0401-001	-----	CRYSTAL	(Deletion)	1	01,02,03
01	X2001		-----	QAX0401-001	CRYSTAL	(Addition)	1	01
01	X2002		NAX0981-001X	-----	CRYSTAL	(Deletion)	1	01,02,03
01	X2002		-----	NAX0981-001X	CRYSTAL	(Addition)	1	01
01	X2101		QAX0928-001Z	-----	CRYSTAL	(Deletion)	1	01,02,03
01	X2101		-----	QAX0928-001Z	CRYSTAL	(Addition)	1	01
01	X2102		QAX0263-001Z	-----	CRYSTAL	(Deletion)	1	02,03
01	X2201		QAX0928-001Z	-----	CRYSTAL	(Deletion)	1	02

Old Sub board Old KW-NT1J [02]

△	Symbol	or	Part No.		Part Name	Description	Qty	Models
			<Rev.001>	<Rev.002>				
02	IC311		JVM4152	-----	IC (PROGRAMED)	(Deletion)	1	01,02,03
02	IC311		-----	JVM4152	IC (PROGRAMED)	(Addition)	1	01
02	IC341		NJM2505AF-X	-----	IC	(Deletion)	1	01,02,03
02	IC341		-----	NJM2505AF-X	IC	(Addition)	1	01

△	Symbol	or	Part No.		Part Name	Description	Qty	Models
			<Rev.001>	<Rev.002>				
	02	IC342	NJM2505AF-X	-----	IC	(Deletion)	1	01,02,03
	02	IC342	-----	NJM2505AF-X	IC	(Addition)	1	01
	02	IC343	NJM2535V-X	-----	IC	(Deletion)	1	01,02,03
	02	IC343	-----	NJM2535V-X	IC	(Addition)	1	01
	02	IC344	NJM2535V-X	-----	IC	(Deletion)	1	01,02,03
	02	IC344	-----	NJM2535V-X	IC	(Addition)	1	01
	02	IC345	NJM2561F1-X	-----	IC	(Deletion)	1	01,02,03
	02	IC345	-----	NJM2561F1-X	IC	(Addition)	1	01
	02	IC351	TOTX177L	-----	OPT TRANSMITTER	(Deletion)	1	01,02,03
	02	IC351	-----	TOTX177L	OPT TRANSMITTER	(Addition)	1	01
	02	IC371	BD9781HFP-W	-----	IC	(Deletion)	1	01,02,03
	02	IC371	-----	BD9781HFP-W	IC	(Addition)	1	01
	02	IC372	BD9781HFP-W	-----	IC	(Deletion)	1	01,02,03
	02	IC372	-----	BD9781HFP-W	IC	(Addition)	1	01
	02	IC374	LT1946AEMS8E-X	-----	IC	(Deletion)	1	01,02,03
	02	IC374	-----	LT1946AEMS8E-X	IC	(Addition)	1	01
	02	IC381	NJM4565E-X	-----	IC	(Deletion)	1	01,02,03
	02	IC381	-----	NJM4565E-X	IC	(Addition)	1	01
	02	IC392	NJM2732RB1-X	-----	IC	(Deletion)	1	02
	02	Q3701	2SA812A/5-6/-X	-----	TRANSISTOR	(Deletion)	1	01,02,03
	02	Q3701	-----	2SA812A/5-6/-X	TRANSISTOR	(Addition)	1	01
	02	Q3702	2SC1623A/5-6/-X	-----	TRANSISTOR	(Deletion)	1	01,02,03
	02	Q3702	-----	2SC1623A/5-6/-X	TRANSISTOR	(Addition)	1	01
	02	Q3703	2SA812A/5-6/-X	-----	TRANSISTOR	(Deletion)	1	01,02,03
	02	Q3703	-----	2SA812A/5-6/-X	TRANSISTOR	(Addition)	1	01
	02	Q3901	RT1N141C-X	-----	DIGI TRANSISTOR	(Deletion)	1	01,02,03
	02	Q3901	-----	RT1N141C-X	DIGI TRANSISTOR	(Addition)	1	01
	02	Q3901	or UN2211-X	-----	TRANSISTOR	(Deletion)	1	01,02,03
	02	Q3901	or -----	UN2211-X	TRANSISTOR	(Addition)	1	01
	02	D3301	MA8062/M/-X	-----	Z DIODE	(Deletion)	1	01,02,03
	02	D3301	-----	MA8062/M/-X	Z DIODE	(Addition)	1	01
	02	D3302	MA8062/M/-X	-----	Z DIODE	(Deletion)	1	01,02,03
	02	D3302	-----	MA8062/M/-X	Z DIODE	(Addition)	1	01
	02	D3303	MA8062/M/-X	-----	Z DIODE	(Deletion)	1	01,02,03
	02	D3303	-----	MA8062/M/-X	Z DIODE	(Addition)	1	01
	02	D3304	MA8062/M/-X	-----	Z DIODE	(Deletion)	1	01,02,03
	02	D3304	-----	MA8062/M/-X	Z DIODE	(Addition)	1	01
	02	D3305	MA8062/M/-X	-----	Z DIODE	(Deletion)	1	01,02,03
	02	D3305	-----	MA8062/M/-X	Z DIODE	(Addition)	1	01
	02	D3306	MA8062/M/-X	-----	Z DIODE	(Deletion)	1	01,02,03
	02	D3306	-----	MA8062/M/-X	Z DIODE	(Addition)	1	01
	02	D3307	MA8062/M/-X	-----	Z DIODE	(Deletion)	1	01,02,03
	02	D3307	-----	MA8062/M/-X	Z DIODE	(Addition)	1	01
	02	D3308	MA8062/M/-X	-----	Z DIODE	(Deletion)	1	01,02,03
	02	D3308	-----	MA8062/M/-X	Z DIODE	(Addition)	1	01
	02	D3411	MA111-X	-----	SI DIODE	(Deletion)	1	01,02,03
	02	D3411	-----	MA111-X	SI DIODE	(Addition)	1	01
	02	D3412	MA111-X	-----	SI DIODE	(Deletion)	1	01,02,03
	02	D3412	-----	MA111-X	SI DIODE	(Addition)	1	01
	02	D3421	MA111-X	-----	SI DIODE	(Deletion)	1	01,02,03
	02	D3421	-----	MA111-X	SI DIODE	(Addition)	1	01
	02	D3422	MA111-X	-----	SI DIODE	(Deletion)	1	01,02,03
	02	D3422	-----	MA111-X	SI DIODE	(Addition)	1	01
	02	D3711	MA24D50-X	-----	DIODE	(Deletion)	1	01,02,03
	02	D3711	-----	MA24D50-X	DIODE	(Addition)	1	01
	02	D3721	MA24D50-X	-----	DIODE	(Deletion)	1	01,02,03
	02	D3721	-----	MA24D50-X	DIODE	(Addition)	1	01
	02	D3741	MA8120/M/-X	-----	Z DIODE	(Deletion)	1	01,02,03
	02	D3741	-----	MA8120/M/-X	Z DIODE	(Addition)	1	01
	02	D3742	MA22D39-X	-----	SB DIODE	(Deletion)	1	01,02,03
	02	D3742	-----	MA22D39-X	SB DIODE	(Addition)	1	01
	02	D3743	MA8024-X	-----	Z DIODE	(Deletion)	1	01,02,03
	02	D3743	-----	MA8024-X	Z DIODE	(Addition)	1	01
	02	D3744	MA2SD31-X	-----	SB DIODE	(Deletion)	1	01,02,03
	02	D3744	-----	MA2SD31-X	SB DIODE	(Addition)	1	01
	02	D3745	MA2SD31-X	-----	SB DIODE	(Deletion)	1	01,02,03
	02	D3745	-----	MA2SD31-X	SB DIODE	(Addition)	1	01
	02	D3746	MA2SD31-X	-----	SB DIODE	(Deletion)	1	01,02,03

△	Symbol	or	Part No.		Part Name	Description	Qty	Models
			<Rev.001>	<Rev.002>				
02	D3746		-----	MA2SD31-X	SB DIODE	(Addition)	1	01
02	D3747		MA2SD31-X	-----	SB DIODE	(Deletion)	1	01,02,03
02	D3747		-----	MA2SD31-X	SB DIODE	(Addition)	1	01
02	D3748		MA8180/H/-X	-----	Z DIODE	(Deletion)	1	01,02,03
02	D3748		-----	MA8180/H/-X	Z DIODE	(Addition)	1	01
02	D3801		MA8110/M/-X	-----	Z DIODE	(Deletion)	1	01,02,03
02	D3801		-----	MA8110/M/-X	Z DIODE	(Addition)	1	01
02	D3802		MA8110/M/-X	-----	Z DIODE	(Deletion)	1	01,02,03
02	D3802		-----	MA8110/M/-X	Z DIODE	(Addition)	1	01
02	D3922		MA111-X	-----	SI DIODE	(Deletion)	1	02
02	C3001		NDC31HJ-102X	-----	C CAPACITOR	(Deletion)	1	01,02,03
02	C3001		-----	NDC31HJ-102X	C CAPACITOR	(Addition)	1	01
02	C3002		NDC31HJ-102X	-----	C CAPACITOR	(Deletion)	1	01,02,03
02	C3002		-----	NDC31HJ-102X	C CAPACITOR	(Addition)	1	01
02	C3003		NDC31HJ-101X	-----	C CAPACITOR	(Deletion)	1	01,02,03
02	C3003		-----	NDC31HJ-101X	C CAPACITOR	(Addition)	1	01
02	C3004		NCB31CK-104X	-----	C CAPACITOR	(Deletion)	1	01,02,03
02	C3004		-----	NCB31CK-104X	C CAPACITOR	(Addition)	1	01
02	C3005		NCB31CK-104X	-----	C CAPACITOR	(Deletion)	1	01,02,03
02	C3005		-----	NCB31CK-104X	C CAPACITOR	(Addition)	1	01
02	C3006		NCB31CK-104X	-----	C CAPACITOR	(Deletion)	1	01,02,03
02	C3006		-----	NCB31CK-104X	C CAPACITOR	(Addition)	1	01
02	C3031		NCJ11EK-106X-R	-----	C CAPACITOR	(Deletion)	1	01,02,03
02	C3031		-----	NCJ11EK-106X-R	C CAPACITOR	(Addition)	1	01
02	C3032		NCJ11EK-106X-R	-----	C CAPACITOR	(Deletion)	1	01,02,03
02	C3032		-----	NCJ11EK-106X-R	C CAPACITOR	(Addition)	1	01
02	C3033		QEKJ1CM-107Z	-----	E CAPACITOR	(Deletion)	1	01,02,03
02	C3033		-----	QEKJ1CM-107Z	E CAPACITOR	(Addition)	1	01
02	C3034		NCJ11EK-106X-R	-----	C CAPACITOR	(Deletion)	1	01,02,03
02	C3034		-----	NCJ11EK-106X-R	C CAPACITOR	(Addition)	1	01
02	C3035		QEKJ1CM-107Z	-----	E CAPACITOR	(Deletion)	1	01,02,03
02	C3035		-----	QEKJ1CM-107Z	E CAPACITOR	(Addition)	1	01
02	C3036		NCJ11EK-106X-R	-----	C CAPACITOR	(Deletion)	1	01,02,03
02	C3036		-----	NCJ11EK-106X-R	C CAPACITOR	(Addition)	1	01
02	C3037		QEKJ1CM-107Z	-----	E CAPACITOR	(Deletion)	1	01,02,03
02	C3037		-----	QEKJ1CM-107Z	E CAPACITOR	(Addition)	1	01
02	C3038		NCJ11EK-106X-R	-----	C CAPACITOR	(Deletion)	1	01,02,03
02	C3038		-----	NCJ11EK-106X-R	C CAPACITOR	(Addition)	1	01
02	C3039		NCJ11EK-106X-R	-----	C CAPACITOR	(Deletion)	1	01,02,03
02	C3039		-----	NCJ11EK-106X-R	C CAPACITOR	(Addition)	1	01
02	C3040		NCJ11EK-106X-R	-----	C CAPACITOR	(Deletion)	1	01,02,03
02	C3040		-----	NCJ11EK-106X-R	C CAPACITOR	(Addition)	1	01
02	C3041		QEKJ1CM-107Z	-----	E CAPACITOR	(Deletion)	1	01,02,03
02	C3041		-----	QEKJ1CM-107Z	E CAPACITOR	(Addition)	1	01
02	C3042		NDC31HJ-471X	-----	C CAPACITOR	(Deletion)	1	01,02,03
02	C3042		-----	NDC31HJ-471X	C CAPACITOR	(Addition)	1	01
02	C3043		NCJ11EK-106X-R	-----	C CAPACITOR	(Deletion)	1	01,02,03
02	C3043		-----	NCJ11EK-106X-R	C CAPACITOR	(Addition)	1	01
02	C3045		QERF1EM-107Z	-----	E CAPACITOR	(Deletion)	1	01,02,03
02	C3045		-----	QERF1EM-107Z	E CAPACITOR	(Addition)	1	01
02	C3046		NCJ11EK-106X-R	-----	C CAPACITOR	(Deletion)	1	01,02,03
02	C3046		-----	NCJ11EK-106X-R	C CAPACITOR	(Addition)	1	01
02	C3101		QEKJ1CM-476Z	-----	E CAPACITOR	(Deletion)	1	01,02,03
02	C3101		-----	QEKJ1CM-476Z	E CAPACITOR	(Addition)	1	01
02	C3102		NCB31CK-104X	-----	C CAPACITOR	(Deletion)	1	01,02,03
02	C3102		-----	NCB31CK-104X	C CAPACITOR	(Addition)	1	01
02	C3105		NCB31CK-104X	-----	C CAPACITOR	(Deletion)	1	01,02,03
02	C3105		-----	NCB31CK-104X	C CAPACITOR	(Addition)	1	01
02	C3106		NCB31CK-104X	-----	C CAPACITOR	(Deletion)	1	01,02,03
02	C3106		-----	NCB31CK-104X	C CAPACITOR	(Addition)	1	01
02	C3213		QEKJ1CM-476Z	-----	E CAPACITOR	(Deletion)	1	01,02,03
02	C3213		-----	QEKJ1CM-476Z	E CAPACITOR	(Addition)	1	01
02	C3251		NCB31CK-104X	-----	C CAPACITOR	(Deletion)	1	01,02,03
02	C3251		-----	NCB31CK-104X	C CAPACITOR	(Addition)	1	01
02	C3301		NDC31HJ-470X	-----	C CAPACITOR	(Deletion)	1	01,02,03
02	C3301		-----	NDC31HJ-470X	C CAPACITOR	(Addition)	1	01
02	C3303		NDC31HJ-101X	-----	C CAPACITOR	(Deletion)	1	01,02,03
02	C3303		-----	NDC31HJ-101X	C CAPACITOR	(Addition)	1	01

△	Symbol	or	Part No.		Part Name	Description	Qty	Models
			<Rev.001>	<Rev.002>				
	02	C3304	NDC31HJ-101X	-----	C CAPACITOR	(Deletion)	1	01,02,03
	02	C3304	-----	NDC31HJ-101X	C CAPACITOR	(Addition)	1	01
	02	C3305	NCB31HK-473X	-----	C CAPACITOR	(Deletion)	1	01,02,03
	02	C3305	-----	NCB31HK-473X	C CAPACITOR	(Addition)	1	01
	02	C3307	NDC31HJ-470X	-----	C CAPACITOR	(Deletion)	1	01,02,03
	02	C3307	-----	NDC31HJ-470X	C CAPACITOR	(Addition)	1	01
	02	C3308	NDC31HJ-101X	-----	C CAPACITOR	(Deletion)	1	01,02,03
	02	C3308	-----	NDC31HJ-101X	C CAPACITOR	(Addition)	1	01
	02	C3309	NDC31HJ-101X	-----	C CAPACITOR	(Deletion)	1	02
	02	C3310	NDC31HJ-101X	-----	C CAPACITOR	(Deletion)	1	01,02,03
	02	C3310	-----	NDC31HJ-101X	C CAPACITOR	(Addition)	1	01
	02	C3311	NDC31HJ-471X	-----	C CAPACITOR	(Deletion)	1	01,02,03
	02	C3311	-----	NDC31HJ-471X	C CAPACITOR	(Addition)	1	01
	02	C3411	QEKJ1EM-106Z	-----	E CAPACITOR	(Deletion)	1	01,02,03
	02	C3411	-----	QEKJ1EM-106Z	E CAPACITOR	(Addition)	1	01
	02	C3412	QEKJ1EM-106Z	-----	E CAPACITOR	(Deletion)	1	01,02,03
	02	C3412	-----	QEKJ1EM-106Z	E CAPACITOR	(Addition)	1	01
	02	C3413	NCB31HK-102X	-----	C CAPACITOR	(Deletion)	1	01,02,03
	02	C3413	-----	NCB31HK-102X	C CAPACITOR	(Addition)	1	01
	02	C3414	QEKJ1CM-476Z	-----	E CAPACITOR	(Deletion)	1	01,02,03
	02	C3414	-----	QEKJ1CM-476Z	E CAPACITOR	(Addition)	1	01
	02	C3415	NCB31CK-104X	-----	C CAPACITOR	(Deletion)	1	01,02,03
	02	C3415	-----	NCB31CK-104X	C CAPACITOR	(Addition)	1	01
	02	C3421	QEKJ1EM-106Z	-----	E CAPACITOR	(Deletion)	1	01,02,03
	02	C3421	-----	QEKJ1EM-106Z	E CAPACITOR	(Addition)	1	01
	02	C3422	QEKJ1EM-106Z	-----	E CAPACITOR	(Deletion)	1	01,02,03
	02	C3422	-----	QEKJ1EM-106Z	E CAPACITOR	(Addition)	1	01
	02	C3423	NCB31HK-102X	-----	C CAPACITOR	(Deletion)	1	01,02,03
	02	C3423	-----	NCB31HK-102X	C CAPACITOR	(Addition)	1	01
	02	C3425	NCB31CK-104X	-----	C CAPACITOR	(Deletion)	1	01,02,03
	02	C3425	-----	NCB31CK-104X	C CAPACITOR	(Addition)	1	01
	02	C3431	NCB31CK-105X	-----	C CAPACITOR	(Deletion)	1	01,02,03
	02	C3431	-----	NCB31CK-105X	C CAPACITOR	(Addition)	1	01
	02	C3432	NCB31CK-105X	-----	C CAPACITOR	(Deletion)	1	01,02,03
	02	C3432	-----	NCB31CK-105X	C CAPACITOR	(Addition)	1	01
	02	C3433	NCB31CK-105X	-----	C CAPACITOR	(Deletion)	1	01,02,03
	02	C3433	-----	NCB31CK-105X	C CAPACITOR	(Addition)	1	01
	02	C3435	NCB31HK-104X	-----	C CAPACITOR	(Deletion)	1	01,02,03
	02	C3435	-----	NCB31HK-104X	C CAPACITOR	(Addition)	1	01
	02	C3441	NCB31CK-105X	-----	C CAPACITOR	(Deletion)	1	01,02,03
	02	C3441	-----	NCB31CK-105X	C CAPACITOR	(Addition)	1	01
	02	C3442	NCB31CK-105X	-----	C CAPACITOR	(Deletion)	1	01,02,03
	02	C3442	-----	NCB31CK-105X	C CAPACITOR	(Addition)	1	01
	02	C3443	NCB31CK-105X	-----	C CAPACITOR	(Deletion)	1	01,02,03
	02	C3443	-----	NCB31CK-105X	C CAPACITOR	(Addition)	1	01
	02	C3444	QEKJ1CM-476Z	-----	E CAPACITOR	(Deletion)	1	01,02,03
	02	C3444	-----	QEKJ1CM-476Z	E CAPACITOR	(Addition)	1	01
	02	C3445	NCB31HK-104X	-----	C CAPACITOR	(Deletion)	1	01,02,03
	02	C3445	-----	NCB31HK-104X	C CAPACITOR	(Addition)	1	01
	02	C3451	QEKJ0JM-337Z	-----	E CAPACITOR	(Deletion)	1	01,02,03
	02	C3451	-----	QEKJ0JM-337Z	E CAPACITOR	(Addition)	1	01
	02	C3453	NCB31CK-105X	-----	C CAPACITOR	(Deletion)	1	01,02,03
	02	C3453	-----	NCB31CK-105X	C CAPACITOR	(Addition)	1	01
	02	C3454	NCB31HK-104X	-----	C CAPACITOR	(Deletion)	1	01,02,03
	02	C3454	-----	NCB31HK-104X	C CAPACITOR	(Addition)	1	01
	02	C3501	QEKJ1CM-476Z	-----	E CAPACITOR	(Deletion)	1	01,02,03
	02	C3501	-----	QEKJ1CM-476Z	E CAPACITOR	(Addition)	1	01
	02	C3504	NCB31CK-104X	-----	C CAPACITOR	(Deletion)	1	01,02,03
	02	C3504	-----	NCB31CK-104X	C CAPACITOR	(Addition)	1	01
	02	C3505	QEKJ1CM-107Z	-----	E CAPACITOR	(Deletion)	1	01,02,03
	02	C3505	-----	QEKJ1CM-107Z	E CAPACITOR	(Addition)	1	01
	02	C3507	NCB31CK-104X	-----	C CAPACITOR	(Deletion)	1	01,02,03
	02	C3507	-----	NCB31CK-104X	C CAPACITOR	(Addition)	1	01
	02	C3551	QEKJ1EM-106Z	-----	E CAPACITOR	(Deletion)	1	01,02,03
	02	C3551	-----	QEKJ1EM-106Z	E CAPACITOR	(Addition)	1	01
	02	C3552	NCB31HK-103X	-----	C CAPACITOR	(Deletion)	1	01,02,03
	02	C3552	-----	NCB31HK-103X	C CAPACITOR	(Addition)	1	01
	02	C3553	NDC31HJ-101X	-----	C CAPACITOR	(Deletion)	1	01,02,03



△	Symbol	or	Part No.		Part Name	Description	Qty	Models
			<Rev.001>	<Rev.002>				
02	C3553		-----	NDC31HJ-101X	C CAPACITOR	(Addition)	1	01
02	C3701		QETN1EM-477Z	-----	E CAPACITOR	(Deletion)	1	01,02,03
02	C3701		-----	QETN1EM-477Z	E CAPACITOR	(Addition)	1	01
02	C3702		QERF1EM-107Z	-----	E CAPACITOR	(Deletion)	1	01,02,03
02	C3702		-----	QERF1EM-107Z	E CAPACITOR	(Addition)	1	01
02	C3703		NCJ11EK-106X-R	-----	C CAPACITOR	(Deletion)	1	01,02,03
02	C3703		-----	NCJ11EK-106X-R	C CAPACITOR	(Addition)	1	01
02	C3711		NCJ11EK-106X-R	-----	C CAPACITOR	(Deletion)	1	01,02,03
02	C3711		-----	NCJ11EK-106X-R	C CAPACITOR	(Addition)	1	01
02	C3712		QEKJ1CM-107Z	-----	E CAPACITOR	(Deletion)	1	01,02,03
02	C3712		-----	QEKJ1CM-107Z	E CAPACITOR	(Addition)	1	01
02	C3713		NCJ11EK-106X-R	-----	C CAPACITOR	(Deletion)	1	01,02,03
02	C3713		-----	NCJ11EK-106X-R	C CAPACITOR	(Addition)	1	01
02	C3714		NCB31CK-104X	-----	C CAPACITOR	(Deletion)	1	01,02,03
02	C3714		-----	NCB31CK-104X	C CAPACITOR	(Addition)	1	01
02	C3715		NCB31HK-472X	-----	C CAPACITOR	(Deletion)	1	01,02,03
02	C3715		-----	NCB31HK-472X	C CAPACITOR	(Addition)	1	01
02	C3721		NCJ11EK-106X-R	-----	C CAPACITOR	(Deletion)	1	01,02,03
02	C3721		-----	NCJ11EK-106X-R	C CAPACITOR	(Addition)	1	01
02	C3722		QEKJ1CM-107Z	-----	E CAPACITOR	(Deletion)	1	01,02,03
02	C3722		-----	QEKJ1CM-107Z	E CAPACITOR	(Addition)	1	01
02	C3723		NCJ11EK-106X-R	-----	C CAPACITOR	(Deletion)	1	01,02,03
02	C3723		-----	NCJ11EK-106X-R	C CAPACITOR	(Addition)	1	01
02	C3724		NCB31CK-104X	-----	C CAPACITOR	(Deletion)	1	01,02,03
02	C3724		-----	NCB31CK-104X	C CAPACITOR	(Addition)	1	01
02	C3725		NCB31HK-472X	-----	C CAPACITOR	(Deletion)	1	01,02,03
02	C3725		-----	NCB31HK-472X	C CAPACITOR	(Addition)	1	01
02	C3732		QEKJ1EM-106Z	-----	E CAPACITOR	(Deletion)	1	01,02,03
02	C3732		-----	QEKJ1EM-106Z	E CAPACITOR	(Addition)	1	01
02	C3741		NCB11EK-105X	-----	C CAPACITOR	(Deletion)	1	01,02,03
02	C3741		-----	NCB11EK-105X	C CAPACITOR	(Addition)	1	01
02	C3742		NCJ11EK-106X-R	-----	C CAPACITOR	(Deletion)	1	01,02,03
02	C3742		-----	NCJ11EK-106X-R	C CAPACITOR	(Addition)	1	01
02	C3743		NCB11EK-105X	-----	C CAPACITOR	(Deletion)	1	01,02,03
02	C3743		-----	NCB11EK-105X	C CAPACITOR	(Addition)	1	01
02	C3744		NDC31HJ-220X	-----	C CAPACITOR	(Deletion)	1	01,02,03
02	C3744		-----	NDC31HJ-220X	C CAPACITOR	(Addition)	1	01
02	C3745		NCB11EK-105X	-----	C CAPACITOR	(Deletion)	1	01,02,03
02	C3745		-----	NCB11EK-105X	C CAPACITOR	(Addition)	1	01
02	C3746		NCB11EK-105X	-----	C CAPACITOR	(Deletion)	1	01,02,03
02	C3746		-----	NCB11EK-105X	C CAPACITOR	(Addition)	1	01
02	C3747		NCB31HK-103X	-----	C CAPACITOR	(Deletion)	1	01,02,03
02	C3747		-----	NCB31HK-103X	C CAPACITOR	(Addition)	1	01
02	C3748		NCB11EK-105X	-----	C CAPACITOR	(Deletion)	1	01,02,03
02	C3748		-----	NCB11EK-105X	C CAPACITOR	(Addition)	1	01
02	C3749		NCJ11EK-106X-R	-----	C CAPACITOR	(Deletion)	1	01,02,03
02	C3749		-----	NCJ11EK-106X-R	C CAPACITOR	(Addition)	1	01
02	C3750		NCJ11EK-106X-R	-----	C CAPACITOR	(Deletion)	1	01,02,03
02	C3750		-----	NCJ11EK-106X-R	C CAPACITOR	(Addition)	1	01
02	C3751		NCB31HK-103X	-----	C CAPACITOR	(Deletion)	1	01,02,03
02	C3751		-----	NCB31HK-103X	C CAPACITOR	(Addition)	1	01
02	C3752		NCB31CK-105X	-----	C CAPACITOR	(Deletion)	1	01,02,03
02	C3752		-----	NCB31CK-105X	C CAPACITOR	(Addition)	1	01
02	C3753		NCJ11EK-106X-R	-----	C CAPACITOR	(Deletion)	1	01,02,03
02	C3753		-----	NCJ11EK-106X-R	C CAPACITOR	(Addition)	1	01
02	C3754		NCB11EK-105X	-----	C CAPACITOR	(Deletion)	1	01,02,03
02	C3754		-----	NCB11EK-105X	C CAPACITOR	(Addition)	1	01
02	C3755		NDC31HJ-471X	-----	C CAPACITOR	(Deletion)	1	01,02,03
02	C3755		-----	NDC31HJ-471X	C CAPACITOR	(Addition)	1	01
02	C3756		NCB31CK-105X	-----	C CAPACITOR	(Deletion)	1	01,02,03
02	C3756		-----	NCB31CK-105X	C CAPACITOR	(Addition)	1	01
02	C3802		NDC31HJ-101X	-----	C CAPACITOR	(Deletion)	1	01,02,03
02	C3802		-----	NDC31HJ-101X	C CAPACITOR	(Addition)	1	01
02	C3803		NCB31CK-105X	-----	C CAPACITOR	(Deletion)	1	01,02,03
02	C3803		-----	NCB31CK-105X	C CAPACITOR	(Addition)	1	01
02	C3804		NCB31CK-105X	-----	C CAPACITOR	(Deletion)	1	01,02,03
02	C3804		-----	NCB31CK-105X	C CAPACITOR	(Addition)	1	01
02	C3805		NDC31HJ-561X	-----	C CAPACITOR	(Deletion)	1	01,02,03

△	Symbol	or	Part No.		Part Name	Description	Qty	Models
			<Rev.001>	<Rev.002>				
	02	C3805	-----	NDC31HJ-561X	C CAPACITOR	(Addition)	1	01
	02	C3806	QEKJ1CM-476Z	-----	E CAPACITOR	(Deletion)	1	01,02,03
	02	C3806	-----	QEKJ1CM-476Z	E CAPACITOR	(Addition)	1	01
	02	C3807	NCB31EK-333X	-----	C CAPACITOR	(Deletion)	1	01,02,03
	02	C3807	-----	NCB31EK-333X	C CAPACITOR	(Addition)	1	01
	02	C3808	NCB31EK-333X	-----	C CAPACITOR	(Deletion)	1	01,02,03
	02	C3808	-----	NCB31EK-333X	C CAPACITOR	(Addition)	1	01
	02	C3809	NCB31HK-104X	-----	C CAPACITOR	(Deletion)	1	01,02,03
	02	C3809	-----	NCB31HK-104X	C CAPACITOR	(Addition)	1	01
	02	C3810	NDC31HJ-561X	-----	C CAPACITOR	(Deletion)	1	01,02,03
	02	C3810	-----	NDC31HJ-561X	C CAPACITOR	(Addition)	1	01
	02	C3811	NCJ11EK-106X-R	-----	C CAPACITOR	(Deletion)	1	01,02,03
	02	C3811	-----	NCJ11EK-106X-R	C CAPACITOR	(Addition)	1	01
	02	C3812	NCB31CK-105X	-----	C CAPACITOR	(Deletion)	1	01,02,03
	02	C3812	-----	NCB31CK-105X	C CAPACITOR	(Addition)	1	01
	02	C3813	NCJ11EK-106X-R	-----	C CAPACITOR	(Deletion)	1	01,02,03
	02	C3813	-----	NCJ11EK-106X-R	C CAPACITOR	(Addition)	1	01
	02	C3814	NCB31HK-104X	-----	C CAPACITOR	(Deletion)	1	01,02,03
	02	C3814	-----	NCB31HK-104X	C CAPACITOR	(Addition)	1	01
	02	C3911	NCB31CK-104X	-----	C CAPACITOR	(Deletion)	1	01,02,03
	02	C3911	-----	NCB31CK-104X	C CAPACITOR	(Addition)	1	01
	02	C3912	NDC31HJ-101X	-----	C CAPACITOR	(Deletion)	1	01,02,03
	02	C3912	-----	NDC31HJ-101X	C CAPACITOR	(Addition)	1	01
	02	C3921	NDC31HJ-101X	-----	C CAPACITOR	(Deletion)	1	02
	02	C3922	NCB31HK-472X	-----	C CAPACITOR	(Deletion)	1	02
	02	C3923	NCB31HK-102X	-----	C CAPACITOR	(Deletion)	1	02
	02	C3924	NCB31HK-104X	-----	C CAPACITOR	(Deletion)	1	02
	02	R3002	NRSA63J-101X	-----	MG RESISTOR	(Deletion)	1	01,02,03
	02	R3002	-----	NRSA63J-101X	MG RESISTOR	(Addition)	1	01
	02	R3003	NRSA63J-101X	-----	MG RESISTOR	(Deletion)	1	01,02,03
	02	R3003	-----	NRSA63J-101X	MG RESISTOR	(Addition)	1	01
	02	R3004	NRSA63J-101X	-----	MG RESISTOR	(Deletion)	1	01,02,03
	02	R3004	-----	NRSA63J-101X	MG RESISTOR	(Addition)	1	01
	02	R3005	NRSA63J-101X	-----	MG RESISTOR	(Deletion)	1	01,02,03
	02	R3005	-----	NRSA63J-101X	MG RESISTOR	(Addition)	1	01
	02	R3006	NRSA63J-101X	-----	MG RESISTOR	(Deletion)	1	01,02,03
	02	R3006	-----	NRSA63J-101X	MG RESISTOR	(Addition)	1	01
	02	R3007	NRSA63J-101X	-----	MG RESISTOR	(Deletion)	1	01,02,03
	02	R3007	-----	NRSA63J-101X	MG RESISTOR	(Addition)	1	01
	02	R3008	NRSA63J-101X	-----	MG RESISTOR	(Deletion)	1	01,02,03
	02	R3008	-----	NRSA63J-101X	MG RESISTOR	(Addition)	1	01
	02	R3009	NRSA63J-101X	-----	MG RESISTOR	(Deletion)	1	01,02,03
	02	R3009	-----	NRSA63J-101X	MG RESISTOR	(Addition)	1	01
	02	R3010	NRSA63J-101X	-----	MG RESISTOR	(Deletion)	1	01,02,03
	02	R3010	-----	NRSA63J-101X	MG RESISTOR	(Addition)	1	01
	02	R3011	NRSA63J-101X	-----	MG RESISTOR	(Deletion)	1	01,02,03
	02	R3011	-----	NRSA63J-101X	MG RESISTOR	(Addition)	1	01
	02	R3012	NRSA63J-101X	-----	MG RESISTOR	(Deletion)	1	01,02,03
	02	R3012	-----	NRSA63J-101X	MG RESISTOR	(Addition)	1	01
	02	R3013	NRSA63J-101X	-----	MG RESISTOR	(Deletion)	1	01,02,03
	02	R3013	-----	NRSA63J-101X	MG RESISTOR	(Addition)	1	01
	02	R3014	NRSA63J-101X	-----	MG RESISTOR	(Deletion)	1	01,02,03
	02	R3014	-----	NRSA63J-101X	MG RESISTOR	(Addition)	1	01
	02	R3015	NRSA63J-101X	-----	MG RESISTOR	(Deletion)	1	01,02,03
	02	R3015	-----	NRSA63J-101X	MG RESISTOR	(Addition)	1	01
	02	R3016	NRSA63J-101X	-----	MG RESISTOR	(Deletion)	1	01,02,03
	02	R3016	-----	NRSA63J-101X	MG RESISTOR	(Addition)	1	01
	02	R3017	NRSA63J-101X	-----	MG RESISTOR	(Deletion)	1	01,02,03
	02	R3017	-----	NRSA63J-101X	MG RESISTOR	(Addition)	1	01
	02	R3018	NRSA63J-101X	-----	MG RESISTOR	(Deletion)	1	01,02,03
	02	R3018	-----	NRSA63J-101X	MG RESISTOR	(Addition)	1	01
	02	R3019	NRSA63J-101X	-----	MG RESISTOR	(Deletion)	1	01,02,03
	02	R3019	-----	NRSA63J-101X	MG RESISTOR	(Addition)	1	01
	02	R3020	NRSA63J-101X	-----	MG RESISTOR	(Deletion)	1	01,02,03
	02	R3020	-----	NRSA63J-101X	MG RESISTOR	(Addition)	1	01
	02	R3021	NRSA63J-101X	-----	MG RESISTOR	(Deletion)	1	01,02,03
	02	R3021	-----	NRSA63J-101X	MG RESISTOR	(Addition)	1	01
	02	R3022	NRSA63J-101X	-----	MG RESISTOR	(Deletion)	1	01,02,03

△	Symbol	or	Part No.		Part Name	Description	Qty	Models
			<Rev.001>	<Rev.002>				
02	R3022		-----	NRSA63J-101X	MG RESISTOR	(Addition)	1	01
02	R3023		NRSA63J-101X	-----	MG RESISTOR	(Deletion)	1	01,02,03
02	R3023		-----	NRSA63J-101X	MG RESISTOR	(Addition)	1	01
02	R3031		NRSA63J-101X	-----	MG RESISTOR	(Deletion)	1	01,02,03
02	R3031		-----	NRSA63J-101X	MG RESISTOR	(Addition)	1	01
02	R3032		NRSA63J-101X	-----	MG RESISTOR	(Deletion)	1	01,02,03
02	R3032		-----	NRSA63J-101X	MG RESISTOR	(Addition)	1	01
02	R3033		NRS125J-R22X	-----	MG RESISTOR	(Deletion)	1	01,02,03
02	R3033		-----	NRS125J-R22X	MG RESISTOR	(Addition)	1	01
02	R3034		NRS125J-R22X	-----	MG RESISTOR	(Deletion)	1	01,02,03
02	R3034		-----	NRS125J-R22X	MG RESISTOR	(Addition)	1	01
02	R3035		NRSA63J-104X	-----	MG RESISTOR	(Deletion)	1	01,02,03
02	R3035		-----	NRSA63J-104X	MG RESISTOR	(Addition)	1	01
02	R3036		NRSA63J-104X	-----	MG RESISTOR	(Deletion)	1	01,02,03
02	R3036		-----	NRSA63J-104X	MG RESISTOR	(Addition)	1	01
02	R3037		NRS125J-R22X	-----	MG RESISTOR	(Deletion)	1	01,02,03
02	R3037		-----	NRS125J-R22X	MG RESISTOR	(Addition)	1	01
02	R3038		NRS125J-R22X	-----	MG RESISTOR	(Deletion)	1	01,02,03
02	R3038		-----	NRS125J-R22X	MG RESISTOR	(Addition)	1	01
02	R3101		NRSA63J-0R0X	-----	MG RESISTOR	(Deletion)	1	01,02,03
02	R3101		-----	NRSA63J-0R0X	MG RESISTOR	(Addition)	1	01
02	R3102		NRSA63J-103X	-----	MG RESISTOR	(Deletion)	1	01,02,03
02	R3102		-----	NRSA63J-103X	MG RESISTOR	(Addition)	1	01
02	R3103		NRSA63J-0R0X	-----	MG RESISTOR	(Deletion)	1	01,02,03
02	R3103		-----	NRSA63J-0R0X	MG RESISTOR	(Addition)	1	01
02	R3104		NRSA63J-103X	-----	MG RESISTOR	(Deletion)	1	01,02,03
02	R3104		-----	NRSA63J-103X	MG RESISTOR	(Addition)	1	01
02	R3105		NRSA63J-102X	-----	MG RESISTOR	(Deletion)	1	01,02,03
02	R3105		-----	NRSA63J-102X	MG RESISTOR	(Addition)	1	01
02	R3109		NRSA63J-102X	-----	MG RESISTOR	(Deletion)	1	01,02,03
02	R3109		-----	NRSA63J-102X	MG RESISTOR	(Addition)	1	01
02	R3110		NRSA63J-103X	-----	MG RESISTOR	(Deletion)	1	01,02,03
02	R3110		-----	NRSA63J-103X	MG RESISTOR	(Addition)	1	01
02	R3111		NRSA63J-102X	-----	MG RESISTOR	(Deletion)	1	01,02,03
02	R3111		-----	NRSA63J-102X	MG RESISTOR	(Addition)	1	01
02	R3116		NRSA63J-103X	-----	MG RESISTOR	(Deletion)	1	01,02,03
02	R3116		-----	NRSA63J-103X	MG RESISTOR	(Addition)	1	01
02	R3117		NRSA63J-103X	-----	MG RESISTOR	(Deletion)	1	01,02,03
02	R3117		-----	NRSA63J-103X	MG RESISTOR	(Addition)	1	01
02	R3118		NRSA63J-102X	-----	MG RESISTOR	(Deletion)	1	01,02,03
02	R3118		-----	NRSA63J-102X	MG RESISTOR	(Addition)	1	01
02	R3124		NRSA63J-103X	-----	MG RESISTOR	(Deletion)	1	01,02,03
02	R3124		-----	NRSA63J-103X	MG RESISTOR	(Addition)	1	01
02	R3125		NRSA63J-101X	-----	MG RESISTOR	(Deletion)	1	01,02,03
02	R3125		-----	NRSA63J-101X	MG RESISTOR	(Addition)	1	01
02	R3126		NRSA63J-472X	-----	MG RESISTOR	(Deletion)	1	01,02,03
02	R3126		-----	NRSA63J-472X	MG RESISTOR	(Addition)	1	01
02	R3127		NRSA63J-102X	-----	MG RESISTOR	(Deletion)	1	01,02,03
02	R3127		-----	NRSA63J-102X	MG RESISTOR	(Addition)	1	01
02	R3128		NRSA63J-0R0X	-----	MG RESISTOR	(Deletion)	1	01,02,03
02	R3128		-----	NRSA63J-0R0X	MG RESISTOR	(Addition)	1	01
02	R3129		NRSA63J-103X	-----	MG RESISTOR	(Deletion)	1	01,02,03
02	R3129		-----	NRSA63J-103X	MG RESISTOR	(Addition)	1	01
02	R3130		NRSA63J-103X	-----	MG RESISTOR	(Deletion)	1	02,03
02	R3131		NRSA63J-103X	-----	MG RESISTOR	(Deletion)	1	02,03
02	R3132		NRSA63J-103X	-----	MG RESISTOR	(Deletion)	1	02,03
02	R3134		NRSA63J-223X	-----	MG RESISTOR	(Deletion)	1	01,02,03
02	R3134		-----	NRSA63J-223X	MG RESISTOR	(Addition)	1	01
02	R3135		NRSA63J-101X	-----	MG RESISTOR	(Deletion)	1	01,02,03
02	R3135		-----	NRSA63J-101X	MG RESISTOR	(Addition)	1	01
02	R3136		NRSA63J-103X	-----	MG RESISTOR	(Deletion)	1	01,02,03
02	R3136		-----	NRSA63J-103X	MG RESISTOR	(Addition)	1	01
02	R3137		NRSA63J-103X	-----	MG RESISTOR	(Deletion)	1	01,02,03
02	R3137		-----	NRSA63J-103X	MG RESISTOR	(Addition)	1	01
02	R3251		NRS181J-0R0X	-----	MG RESISTOR	(Deletion)	1	01,02,03
02	R3251		-----	NRS181J-0R0X	MG RESISTOR	(Addition)	1	01
02	R3301		NRSA63J-750X	-----	MG RESISTOR	(Deletion)	1	01,02,03
02	R3301		-----	NRSA63J-750X	MG RESISTOR	(Addition)	1	01

△	Symbol	or	Part No.		Part Name	Description	Qty	Models
			<Rev.001>	<Rev.002>				
	02	R3303	NRSA63J-222X	-----	MG RESISTOR	(Deletion)	1	01,02,03
	02	R3303	-----	NRSA63J-222X	MG RESISTOR	(Addition)	1	01
	02	R3304	NRSA63J-222X	-----	MG RESISTOR	(Deletion)	1	01,02,03
	02	R3304	-----	NRSA63J-222X	MG RESISTOR	(Addition)	1	01
	02	R3305	NRSA63J-223X	-----	MG RESISTOR	(Deletion)	1	01,02,03
	02	R3305	-----	NRSA63J-223X	MG RESISTOR	(Addition)	1	01
	02	R3306	NRSA63J-223X	-----	MG RESISTOR	(Deletion)	1	01,02,03
	02	R3306	-----	NRSA63J-223X	MG RESISTOR	(Addition)	1	01
	02	R3307	NRSA63J-471X	-----	MG RESISTOR	(Deletion)	1	01,02,03
	02	R3307	-----	NRSA63J-471X	MG RESISTOR	(Addition)	1	01
	02	R3308	NRSA63J-0R0X	-----	MG RESISTOR	(Deletion)	1	01,02,03
	02	R3308	-----	NRSA63J-0R0X	MG RESISTOR	(Addition)	1	01
	02	R3309	NRSA63J-0R0X	-----	MG RESISTOR	(Deletion)	1	01,02,03
	02	R3309	-----	NRSA63J-0R0X	MG RESISTOR	(Addition)	1	01
	02	R3310	NRSA63J-0R0X	-----	MG RESISTOR	(Deletion)	1	01,02,03
	02	R3310	-----	NRSA63J-0R0X	MG RESISTOR	(Addition)	1	01
	02	R3311	NRSA63J-0R0X	-----	MG RESISTOR	(Deletion)	1	01,02,03
	02	R3311	-----	NRSA63J-0R0X	MG RESISTOR	(Addition)	1	01
	02	R3312	NRSA63J-0R0X	-----	MG RESISTOR	(Deletion)	1	01,02,03
	02	R3312	-----	NRSA63J-0R0X	MG RESISTOR	(Addition)	1	01
	02	R3313	NRSA63J-271X	-----	MG RESISTOR	(Deletion)	1	01,02,03
	02	R3313	-----	NRSA63J-271X	MG RESISTOR	(Addition)	1	01
	02	R3314	NRSA63J-101X	-----	MG RESISTOR	(Deletion)	1	02
	02	R3315	NRSA63J-101X	-----	MG RESISTOR	(Deletion)	1	01,02,03
	02	R3315	-----	NRSA63J-101X	MG RESISTOR	(Addition)	1	01
	02	R3411	NRSA63J-471X	-----	MG RESISTOR	(Deletion)	1	01,02,03
	02	R3411	-----	NRSA63J-471X	MG RESISTOR	(Addition)	1	01
	02	R3412	NRSA63J-471X	-----	MG RESISTOR	(Deletion)	1	01,02,03
	02	R3412	-----	NRSA63J-471X	MG RESISTOR	(Addition)	1	01
	02	R3414	NRSA63J-390X	-----	MG RESISTOR	(Deletion)	1	01,02,03
	02	R3414	-----	NRSA63J-390X	MG RESISTOR	(Addition)	1	01
	02	R3421	NRSA63J-471X	-----	MG RESISTOR	(Deletion)	1	01,02,03
	02	R3421	-----	NRSA63J-471X	MG RESISTOR	(Addition)	1	01
	02	R3422	NRSA63J-471X	-----	MG RESISTOR	(Deletion)	1	01,02,03
	02	R3422	-----	NRSA63J-471X	MG RESISTOR	(Addition)	1	01
	02	R3424	NRSA63J-390X	-----	MG RESISTOR	(Deletion)	1	01,02,03
	02	R3424	-----	NRSA63J-390X	MG RESISTOR	(Addition)	1	01
	02	R3431	NRSA63J-332X	-----	MG RESISTOR	(Deletion)	1	01,02,03
	02	R3431	-----	NRSA63J-332X	MG RESISTOR	(Addition)	1	01
	02	R3432	NRSA63J-181X	-----	MG RESISTOR	(Deletion)	1	01,02,03
	02	R3432	-----	NRSA63J-181X	MG RESISTOR	(Addition)	1	01
	02	R3434	NRSA63J-0R0X	-----	MG RESISTOR	(Deletion)	1	01,02,03
	02	R3434	-----	NRSA63J-0R0X	MG RESISTOR	(Addition)	1	01
	02	R3451	NRSA63J-0R0X	-----	MG RESISTOR	(Deletion)	1	01,02,03
	02	R3451	-----	NRSA63J-0R0X	MG RESISTOR	(Addition)	1	01
	02	R3452	NRSA63J-0R0X	-----	MG RESISTOR	(Deletion)	1	01,02,03
	02	R3452	-----	NRSA63J-0R0X	MG RESISTOR	(Addition)	1	01
	02	R3504	NRSA63J-473X	-----	MG RESISTOR	(Deletion)	1	01,02,03
	02	R3504	-----	NRSA63J-473X	MG RESISTOR	(Addition)	1	01
	02	R3508	NRSA63J-473X	-----	MG RESISTOR	(Deletion)	1	01,02,03
	02	R3508	-----	NRSA63J-473X	MG RESISTOR	(Addition)	1	01
	02	R3510	NRSA63J-473X	-----	MG RESISTOR	(Deletion)	1	01,02,03
	02	R3510	-----	NRSA63J-473X	MG RESISTOR	(Addition)	1	01
	02	R3513	NRSA63J-473X	-----	MG RESISTOR	(Deletion)	1	01,02,03
	02	R3513	-----	NRSA63J-473X	MG RESISTOR	(Addition)	1	01
	02	R3515	NRSA63J-473X	-----	MG RESISTOR	(Deletion)	1	01,02,03
	02	R3515	-----	NRSA63J-473X	MG RESISTOR	(Addition)	1	01
	02	R3516	NRSA63J-0R0X	-----	MG RESISTOR	(Deletion)	1	01,02,03
	02	R3516	-----	NRSA63J-0R0X	MG RESISTOR	(Addition)	1	01
	02	R3517	NRSA63J-0R0X	-----	MG RESISTOR	(Deletion)	1	01,02,03
	02	R3517	-----	NRSA63J-0R0X	MG RESISTOR	(Addition)	1	01
	02	R3518	NRSA63J-224X	-----	MG RESISTOR	(Deletion)	1	01,02,03
	02	R3518	-----	NRSA63J-224X	MG RESISTOR	(Addition)	1	01
	02	R3519	NRSA63J-224X	-----	MG RESISTOR	(Deletion)	1	01,02,03
	02	R3519	-----	NRSA63J-224X	MG RESISTOR	(Addition)	1	01
	02	R3551	NRSA63J-0R0X	-----	MG RESISTOR	(Deletion)	1	01,02,03
	02	R3551	-----	NRSA63J-0R0X	MG RESISTOR	(Addition)	1	01
	02	R3711	NRSA63D-224X	-----	MG RESISTOR	(Deletion)	1	01,02,03

△	Symbol	or	Part No.		Part Name	Description	Qty	Models
			<Rev.001>	<Rev.002>				
02	R3711		-----	NRSA63D-224X	MG RESISTOR	(Addition)	1	01
02	R3712		NRSA63J-154X	-----	MG RESISTOR	(Deletion)	1	01,02,03
02	R3712		-----	NRSA63J-154X	MG RESISTOR	(Addition)	1	01
02	R3713		NRSA63D-623X	-----	MG RESISTOR	(Deletion)	1	01,02,03
02	R3713		-----	NRSA63D-623X	MG RESISTOR	(Addition)	1	01
02	R3714		NRSA63D-224X	-----	MG RESISTOR	(Deletion)	1	01,02,03
02	R3714		-----	NRSA63D-224X	MG RESISTOR	(Addition)	1	01
02	R3715		NRSA63D-103X	-----	MG RESISTOR	(Deletion)	1	01,02,03
02	R3715		-----	NRSA63D-103X	MG RESISTOR	(Addition)	1	01
02	R3721		NRSA63D-224X	-----	MG RESISTOR	(Deletion)	1	01,02,03
02	R3721		-----	NRSA63D-224X	MG RESISTOR	(Addition)	1	01
02	R3722		NRSA63J-154X	-----	MG RESISTOR	(Deletion)	1	01,02,03
02	R3722		-----	NRSA63J-154X	MG RESISTOR	(Addition)	1	01
02	R3723		NRSA63D-243X	-----	MG RESISTOR	(Deletion)	1	01,02,03
02	R3723		-----	NRSA63D-243X	MG RESISTOR	(Addition)	1	01
02	R3725		NRSA63D-103X	-----	MG RESISTOR	(Deletion)	1	01,02,03
02	R3725		-----	NRSA63D-103X	MG RESISTOR	(Addition)	1	01
02	R3741		NRSA63J-154X	-----	MG RESISTOR	(Deletion)	1	01,02,03
02	R3741		-----	NRSA63J-154X	MG RESISTOR	(Addition)	1	01
02	R3742		NRSA63J-473X	-----	MG RESISTOR	(Deletion)	1	01,02,03
02	R3742		-----	NRSA63J-473X	MG RESISTOR	(Addition)	1	01
02	R3743		NRSA63J-104X	-----	MG RESISTOR	(Deletion)	1	01,02,03
02	R3743		-----	NRSA63J-104X	MG RESISTOR	(Addition)	1	01
02	R3744		NRSA63J-682X	-----	MG RESISTOR	(Deletion)	1	01,02,03
02	R3744		-----	NRSA63J-682X	MG RESISTOR	(Addition)	1	01
02	R3745		NRSA63D-184X	-----	MG RESISTOR	(Deletion)	1	01,02,03
02	R3745		-----	NRSA63D-184X	MG RESISTOR	(Addition)	1	01
02	R3746		NRSA63D-203X	-----	MG RESISTOR	(Deletion)	1	01,02,03
02	R3746		-----	NRSA63D-203X	MG RESISTOR	(Addition)	1	01
02	R3747		NRSA63J-331X	-----	MG RESISTOR	(Deletion)	1	01,02,03
02	R3747		-----	NRSA63J-331X	MG RESISTOR	(Addition)	1	01
02	R3748		NRSA63J-104X	-----	MG RESISTOR	(Deletion)	1	01,02,03
02	R3748		-----	NRSA63J-104X	MG RESISTOR	(Addition)	1	01
02	R3749		NRSA63J-102X	-----	MG RESISTOR	(Deletion)	1	01,02,03
02	R3749		-----	NRSA63J-102X	MG RESISTOR	(Addition)	1	01
02	R3750		NRSA63J-0R0X	-----	MG RESISTOR	(Deletion)	1	01,02,03
02	R3750		-----	NRSA63J-0R0X	MG RESISTOR	(Addition)	1	01
02	R3751		NRSA63J-202X	-----	MG RESISTOR	(Deletion)	1	01,02,03
02	R3751		-----	NRSA63J-202X	MG RESISTOR	(Addition)	1	01
02	R3752		NRSA63J-223X	-----	MG RESISTOR	(Deletion)	1	01,02,03
02	R3752		-----	NRSA63J-223X	MG RESISTOR	(Addition)	1	01
02	R3753		NRSA63J-562X	-----	MG RESISTOR	(Deletion)	1	01,02,03
02	R3753		-----	NRSA63J-562X	MG RESISTOR	(Addition)	1	01
02	R3801		NRSA63J-122X	-----	MG RESISTOR	(Deletion)	1	01,02,03
02	R3801		-----	NRSA63J-122X	MG RESISTOR	(Addition)	1	01
02	R3802		NRSA63J-122X	-----	MG RESISTOR	(Deletion)	1	01,02,03
02	R3802		-----	NRSA63J-122X	MG RESISTOR	(Addition)	1	01
02	R3803		NRSA63J-333X	-----	MG RESISTOR	(Deletion)	1	01,02,03
02	R3803		-----	NRSA63J-333X	MG RESISTOR	(Addition)	1	01
02	R3804		NRSA63J-822X	-----	MG RESISTOR	(Deletion)	1	01,02,03
02	R3804		-----	NRSA63J-822X	MG RESISTOR	(Addition)	1	01
02	R3805		NRSA63J-822X	-----	MG RESISTOR	(Deletion)	1	01,02,03
02	R3805		-----	NRSA63J-822X	MG RESISTOR	(Addition)	1	01
02	R3806		NRSA63J-223X	-----	MG RESISTOR	(Deletion)	1	01,02,03
02	R3806		-----	NRSA63J-223X	MG RESISTOR	(Addition)	1	01
02	R3807		NRSA63J-223X	-----	MG RESISTOR	(Deletion)	1	01,02,03
02	R3807		-----	NRSA63J-223X	MG RESISTOR	(Addition)	1	01
02	R3808		NRSA63J-333X	-----	MG RESISTOR	(Deletion)	1	01,02,03
02	R3808		-----	NRSA63J-333X	MG RESISTOR	(Addition)	1	01
02	R3809		NRSA63J-822X	-----	MG RESISTOR	(Deletion)	1	01,02,03
02	R3809		-----	NRSA63J-822X	MG RESISTOR	(Addition)	1	01
02	R3810		NRSA63J-333X	-----	MG RESISTOR	(Deletion)	1	01,02,03
02	R3810		-----	NRSA63J-333X	MG RESISTOR	(Addition)	1	01
02	R3811		NRSA63J-100X	-----	MG RESISTOR	(Deletion)	1	01,02,03
02	R3811		-----	NRSA63J-100X	MG RESISTOR	(Addition)	1	01
02	R3812		NRSA63J-680X	-----	MG RESISTOR	(Deletion)	1	01,02,03
02	R3812		-----	NRSA63J-680X	MG RESISTOR	(Addition)	1	01
02	R3813		NRSA63J-680X	-----	MG RESISTOR	(Deletion)	1	01,02,03

△	Symbol	or	Part No.		Part Name	Description	Qty	Models
			<Rev.001>	<Rev.002>				
	02	R3813	-----	NRSA63J-680X	MG RESISTOR	(Addition)	1	01
	02	R3911	NRSA63J-0R0X	-----	MG RESISTOR	(Deletion)	1	01,02,03
	02	R3911	-----	NRSA63J-0R0X	MG RESISTOR	(Addition)	1	01
	02	R3912	NRSA63J-103X	-----	MG RESISTOR	(Deletion)	1	01,02,03
	02	R3912	-----	NRSA63J-103X	MG RESISTOR	(Addition)	1	01
	02	R3914	NRSA63J-473X	-----	MG RESISTOR	(Deletion)	1	01,02,03
	02	R3914	-----	NRSA63J-473X	MG RESISTOR	(Addition)	1	01
	02	R3921	NRSA63J-513X	-----	MG RESISTOR	(Deletion)	1	02
	02	R3922	NRSA63J-513X	-----	MG RESISTOR	(Deletion)	1	02
	02	R3923	NRSA63J-513X	-----	MG RESISTOR	(Deletion)	1	02
	02	R3924	NRSA63J-683X	-----	MG RESISTOR	(Deletion)	1	02
	02	R3925	NRSA63J-683X	-----	MG RESISTOR	(Deletion)	1	02
	02	R3926	NRSA63J-103X	-----	MG RESISTOR	(Deletion)	1	02
	02	R3927	NRSA63J-513X	-----	MG RESISTOR	(Deletion)	1	02
	02	R3928	NRSA63J-563X	-----	MG RESISTOR	(Deletion)	1	02
	02	R3929	NRSA63J-683X	-----	MG RESISTOR	(Deletion)	1	02
	02	R3930	NRSA63J-104X	-----	MG RESISTOR	(Deletion)	1	02
	02	R3931	NRSA63J-822X	-----	MG RESISTOR	(Deletion)	1	02
	02	RA341	NRZ0065-301X	-----	MG.RES C.M	(Deletion)	1	01,02,03
	02	RA341	-----	NRZ0065-301X	MG.RES C.M	(Addition)	1	01
	02	RA342	NRZ0065-301X	-----	MG.RES C.M	(Deletion)	1	01,02,03
	02	RA342	-----	NRZ0065-301X	MG.RES C.M	(Addition)	1	01
	02	L3101	NQL79GK-100X	-----	COIL	(Deletion)	1	01,02,03
	02	L3101	-----	NQL79GK-100X	COIL	(Addition)	1	01
	02	L3401	NQL79GK-470X	-----	COIL	(Deletion)	1	01,02,03
	02	L3401	-----	NQL79GK-470X	COIL	(Addition)	1	01
	02	L3701	NQLC8CN-4R9X	-----	COIL	(Deletion)	1	01,02,03
	02	L3701	-----	NQLC8CN-4R9X	COIL	(Addition)	1	01
	02	L3711	NQL71EM-330X	-----	COIL	(Deletion)	1	01,02,03
	02	L3711	-----	NQL71EM-330X	COIL	(Addition)	1	01
	02	L3721	NQL71EM-330X	-----	COIL	(Deletion)	1	01,02,03
	02	L3721	-----	NQL71EM-330X	COIL	(Addition)	1	01
	02	L3741	NQL79GK-100X	-----	COIL	(Deletion)	1	01,02,03
	02	L3741	-----	NQL79GK-100X	COIL	(Addition)	1	01
	02	L3742	NQLZ007-4R7X	-----	COIL	(Deletion)	1	01,02,03
	02	L3742	-----	NQLZ007-4R7X	COIL	(Addition)	1	01
	02	L3743	NQL79GK-470X	-----	COIL	(Deletion)	1	01,02,03
	02	L3743	-----	NQL79GK-470X	COIL	(Addition)	1	01
	02	L3801	NQL79GK-470X	-----	COIL	(Deletion)	1	01,02,03
	02	L3801	-----	NQL79GK-470X	COIL	(Addition)	1	01
	02	CN301	QGB0815K1-60X	-----	CONNECTOR	(Deletion)	1	01,02,03
	02	CN301	-----	QGB0815K1-60X	CONNECTOR	(Addition)	1	01
	02	CN302	QGB1004K2-30W	-----	CONNECTOR	(Deletion)	1	01,02,03
	02	CN302	-----	QGB1004K2-30W	CONNECTOR	(Addition)	1	01
	02	CN325	QGA2001C7-02X	-----	CONNECTOR	(Deletion)	1	01,02,03
	02	CN325	-----	QGA2001C7-02X	CONNECTOR	(Addition)	1	01
	02	CN331	QGA2015F1-14	-----	CONNECTOR	(Deletion)	1	01,02,03
	02	CN331	-----	QGA2015F1-14	CONNECTOR	(Addition)	1	01
	02	CN351	QGB2027M4-30S	-----	CONNECTOR	(Deletion)	1	01,02,03
	02	CN351	-----	QGB2027M4-30S	CONNECTOR	(Addition)	1	01
	02	EP301	NNZ0165-001X	-----	EARTH TERMINAL	(Deletion)	1	01,02,03
	02	EP301	-----	NNZ0165-001X	EARTH TERMINAL	(Addition)	1	01
	02	EP302	NNZ0165-001X	-----	EARTH TERMINAL	(Deletion)	1	01,02,03
	02	EP302	-----	NNZ0165-001X	EARTH TERMINAL	(Addition)	1	01
	02	EP303	NNZ0165-001X	-----	EARTH TERMINAL	(Deletion)	1	01,02,03
	02	EP303	-----	NNZ0165-001X	EARTH TERMINAL	(Addition)	1	01
	02	EP304	NNZ0165-001X	-----	EARTH TERMINAL	(Deletion)	1	01,02,03
	02	EP304	-----	NNZ0165-001X	EARTH TERMINAL	(Addition)	1	01
	02	EP305	NNZ0165-001X	-----	EARTH TERMINAL	(Deletion)	1	01,02,03
	02	EP305	-----	NNZ0165-001X	EARTH TERMINAL	(Addition)	1	01
△	02	F3001	NMFZ018-R75X-E	-----	FUSE	(Deletion)	1	01,02,03
△	02	F3001	-----	NMFZ018-R75X-E	FUSE	(Addition)	1	01
△	02	F3031	NMFZ018-4R0X-E	-----	FUSE	(Deletion)	1	01,02,03
△	02	F3031	-----	NMFZ018-4R0X-E	FUSE	(Addition)	1	01
△	02	F3032	NMFZ018-4R0X-E	-----	FUSE	(Deletion)	1	01,02,03
△	02	F3032	-----	NMFZ018-4R0X-E	FUSE	(Addition)	1	01
	02	J3801	QNS0283-001	-----	STEERING REMOTE	(Deletion)	1	01,02,03
	02	J3801	-----	QNS0283-001	STEERING REMOTE	(Addition)	1	01

△	Symbol	or	Part No.		Part Name	Description	Qty	Models
			<Rev.001>	<Rev.002>				
	02 K3001		NQR0201-004X	-----	FERRITE BEADS	(Deletion)	1	01,02,03
	02 K3001		-----	NQR0201-004X	FERRITE BEADS	(Addition)	1	01
	02 K3002		NQR0201-004X	-----	FERRITE BEADS	(Deletion)	1	01,02,03
	02 K3002		-----	NQR0201-004X	FERRITE BEADS	(Addition)	1	01
	02 K3551		NQR0022-005X	-----	FERRITE BEADS	(Deletion)	1	01,02,03
	02 K3551		-----	NQR0022-005X	FERRITE BEADS	(Addition)	1	01
	02 K3801		NRSA63J-0R0X	-----	MG RESISTOR	(Deletion)	1	01,02,03
	02 K3801		-----	NRSA63J-0R0X	MG RESISTOR	(Addition)	1	01
	02 K3802		NRSA63J-0R0X	-----	MG RESISTOR	(Deletion)	1	01,02,03
	02 K3802		-----	NRSA63J-0R0X	MG RESISTOR	(Addition)	1	01
	02 PP3		QZW0010-001	-----	STYLE PIN	(Deletion)	1	01,02,03
	02 PP3		-----	QZW0010-001	STYLE PIN	(Addition)	1	01
	02 S3001		NSW0126-001X	-----	DETECT SWITCH	(Deletion)	1	01,02,03
	02 S3001		-----	NSW0126-001X	DETECT SWITCH	(Addition)	1	01

### Old Detach board Old KW-NT1J [03]

△	Symbol	or	Part No.		Part Name	Description	Qty	Models
			<Rev.001>	<Rev.002>				
	03 IC401		RUQ050N02-W	-----	MOS FET	(Deletion)	1	01,02,03
	03 IC401		-----	RUQ050N02-W	MOS FET	(Addition)	1	01
	03 IC451		BA00CC0WFP-X	-----	IC	(Deletion)	1	01,02,03
	03 IC451		-----	BA00CC0WFP-X	IC	(Addition)	1	01
	03 IC452		BA00CC0WFP-X	-----	IC	(Deletion)	1	01,02,03
	03 IC452		-----	BA00CC0WFP-X	IC	(Addition)	1	01
	03 IC453		NJM4580E-X	-----	IC	(Deletion)	1	01,02,03
	03 IC453		-----	NJM4580E-X	IC	(Addition)	1	01
	03 Q451		2SC1623A/5-6/-X	-----	TRANSISTOR	(Deletion)	1	01,02,03
	03 Q451		-----	2SC1623A/5-6/-X	TRANSISTOR	(Addition)	1	01
	03 D401		MA8062/M/-X	-----	Z DIODE	(Deletion)	1	01,02,03
	03 D401		-----	MA8062/M/-X	Z DIODE	(Addition)	1	01
	03 D402		MA8062/M/-X	-----	Z DIODE	(Deletion)	1	01,02,03
	03 D402		-----	MA8062/M/-X	Z DIODE	(Addition)	1	01
	03 D403		MA8062/M/-X	-----	Z DIODE	(Deletion)	1	01,02,03
	03 D403		-----	MA8062/M/-X	Z DIODE	(Addition)	1	01
	03 D404		MA8062/M/-X	-----	Z DIODE	(Deletion)	1	01,02,03
	03 D404		-----	MA8062/M/-X	Z DIODE	(Addition)	1	01
	03 D405		MA8062/M/-X	-----	Z DIODE	(Deletion)	1	01,02,03
	03 D405		-----	MA8062/M/-X	Z DIODE	(Addition)	1	01
	03 D406		MA8062/M/-X	-----	Z DIODE	(Deletion)	1	01,02,03
	03 D406		-----	MA8062/M/-X	Z DIODE	(Addition)	1	01
	03 D407		MA8062/M/-X	-----	Z DIODE	(Deletion)	1	01,02,03
	03 D407		-----	MA8062/M/-X	Z DIODE	(Addition)	1	01
	03 D408		MA8062/M/-X	-----	Z DIODE	(Deletion)	1	01,02,03
	03 D408		-----	MA8062/M/-X	Z DIODE	(Addition)	1	01
	03 D409		MA8062/M/-X	-----	Z DIODE	(Deletion)	1	01,02,03
	03 D409		-----	MA8062/M/-X	Z DIODE	(Addition)	1	01
	03 D410		MA8062/M/-X	-----	Z DIODE	(Deletion)	1	01,02,03
	03 D410		-----	MA8062/M/-X	Z DIODE	(Addition)	1	01
	03 D411		MA8062/M/-X	-----	Z DIODE	(Deletion)	1	01,02,03
	03 D411		-----	MA8062/M/-X	Z DIODE	(Addition)	1	01
	03 D412		MA8062/M/-X	-----	Z DIODE	(Deletion)	1	01,02,03
	03 D412		-----	MA8062/M/-X	Z DIODE	(Addition)	1	01
	03 D413		MA8062/M/-X	-----	Z DIODE	(Deletion)	1	01,02,03
	03 D413		-----	MA8062/M/-X	Z DIODE	(Addition)	1	01
	03 D414		MA8062/M/-X	-----	Z DIODE	(Deletion)	1	01,02,03
	03 D414		-----	MA8062/M/-X	Z DIODE	(Addition)	1	01
	03 D415		MA8062/M/-X	-----	Z DIODE	(Deletion)	1	01,02,03
	03 D415		-----	MA8062/M/-X	Z DIODE	(Addition)	1	01
	03 D416		MA8062/M/-X	-----	Z DIODE	(Deletion)	1	01,02,03
	03 D416		-----	MA8062/M/-X	Z DIODE	(Addition)	1	01
	03 D417		MA8062/M/-X	-----	Z DIODE	(Deletion)	1	01,02,03
	03 D417		-----	MA8062/M/-X	Z DIODE	(Addition)	1	01
	03 D418		MA8062/M/-X	-----	Z DIODE	(Deletion)	1	01,02,03
	03 D418		-----	MA8062/M/-X	Z DIODE	(Addition)	1	01
	03 D419		MA8062/M/-X	-----	Z DIODE	(Deletion)	1	01,02,03
	03 D419		-----	MA8062/M/-X	Z DIODE	(Addition)	1	01
	03 D420		MA8062/M/-X	-----	Z DIODE	(Deletion)	1	01,02,03
	03 D420		-----	MA8062/M/-X	Z DIODE	(Addition)	1	01

△	Symbol	or	Part No.		Part Name	Description	Qty	Models
			<Rev.001>	<Rev.002>				
	03	D421	MA8062/M/-X	-----	Z DIODE	(Deletion)	1	01,02,03
	03	D421	-----	MA8062/M/-X	Z DIODE	(Addition)	1	01
	03	D422	MA8062/M/-X	-----	Z DIODE	(Deletion)	1	01,02,03
	03	D422	-----	MA8062/M/-X	Z DIODE	(Addition)	1	01
	03	D423	MA8062/M/-X	-----	Z DIODE	(Deletion)	1	01,02,03
	03	D423	-----	MA8062/M/-X	Z DIODE	(Addition)	1	01
	03	D451	CRS03-W	-----	SB DIODE	(Deletion)	1	01,02,03
	03	D451	-----	CRS03-W	SB DIODE	(Addition)	1	01
	03	D452	CRS03-W	-----	SB DIODE	(Deletion)	1	01,02,03
	03	D452	-----	CRS03-W	SB DIODE	(Addition)	1	01
	03	D453	CRS03-W	-----	SB DIODE	(Deletion)	1	01,02,03
	03	D453	-----	CRS03-W	SB DIODE	(Addition)	1	01
	03	D454	MA8056/H/-X	-----	Z DIODE	(Deletion)	1	01,02,03
	03	D454	-----	MA8056/H/-X	Z DIODE	(Addition)	1	01
	03	D458	CRS03-W	-----	SB DIODE	(Deletion)	1	01,02,03
	03	D458	-----	CRS03-W	SB DIODE	(Addition)	1	01
	03	D459	CRS03-W	-----	SB DIODE	(Deletion)	1	01,02,03
	03	D459	-----	CRS03-W	SB DIODE	(Addition)	1	01
	03	D491	NECBB205/WPQR/X	-----	LED	(Deletion)	1	01,02,03
	03	D491	-----	NECBB205/WPQR/X	LED	(Addition)	1	01
	03	D4531	MA8051/M/-X	-----	Z DIODE	(Deletion)	1	01,02,03
	03	D4531	-----	MA8051/M/-X	Z DIODE	(Addition)	1	01
	03	D4541	MA8051/M/-X	-----	Z DIODE	(Deletion)	1	01,02,03
	03	D4541	-----	MA8051/M/-X	Z DIODE	(Addition)	1	01
	03	C451	NEAF1CM-476X	-----	E CAPACITOR	(Deletion)	1	01,02,03
	03	C451	-----	NEAF1CM-476X	E CAPACITOR	(Addition)	1	01
	03	C452	NEAF1CM-107X	-----	E CAPACITOR	(Deletion)	1	01,02,03
	03	C452	-----	NEAF1CM-107X	E CAPACITOR	(Addition)	1	01
	03	C453	NCB31CK-104X	-----	C CAPACITOR	(Deletion)	1	01,02,03
	03	C453	-----	NCB31CK-104X	C CAPACITOR	(Addition)	1	01
	03	C454	NEAF1CM-476X	-----	E CAPACITOR	(Deletion)	1	01,02,03
	03	C454	-----	NEAF1CM-476X	E CAPACITOR	(Addition)	1	01
	03	C455	NEAF1CM-107X	-----	E CAPACITOR	(Deletion)	1	01,02,03
	03	C455	-----	NEAF1CM-107X	E CAPACITOR	(Addition)	1	01
	03	C456	NCB31CK-104X	-----	C CAPACITOR	(Deletion)	1	01,02,03
	03	C456	-----	NCB31CK-104X	C CAPACITOR	(Addition)	1	01
	03	C457	NEAF1CM-107X	-----	E CAPACITOR	(Deletion)	1	01,02,03
	03	C457	-----	NEAF1CM-107X	E CAPACITOR	(Addition)	1	01
	03	C458	NEAF1CM-107X	-----	E CAPACITOR	(Deletion)	1	01,02,03
	03	C458	-----	NEAF1CM-107X	E CAPACITOR	(Addition)	1	01
	03	C4501	NCB31CK-104X	-----	C CAPACITOR	(Deletion)	1	01,02,03
	03	C4501	-----	NCB31CK-104X	C CAPACITOR	(Addition)	1	01
	03	C4503	NDC31HJ-471X	-----	C CAPACITOR	(Deletion)	1	01,02,03
	03	C4503	-----	NDC31HJ-471X	C CAPACITOR	(Addition)	1	01
	03	C4504	NCB31CK-104X	-----	C CAPACITOR	(Deletion)	1	01,02,03
	03	C4504	-----	NCB31CK-104X	C CAPACITOR	(Addition)	1	01
	03	C4505	NCB31CK-104X	-----	C CAPACITOR	(Deletion)	1	01,02,03
	03	C4505	-----	NCB31CK-104X	C CAPACITOR	(Addition)	1	01
	03	C4506	NCB31CK-104X	-----	C CAPACITOR	(Deletion)	1	01,02,03
	03	C4506	-----	NCB31CK-104X	C CAPACITOR	(Addition)	1	01
	03	C4507	NCB31HK-103X	-----	C CAPACITOR	(Deletion)	1	01,02,03
	03	C4507	-----	NCB31HK-103X	C CAPACITOR	(Addition)	1	01
	03	C4508	NDC31HJ-101X	-----	C CAPACITOR	(Deletion)	1	01,02,03
	03	C4508	-----	NDC31HJ-101X	C CAPACITOR	(Addition)	1	01
	03	C4509	NCB31CK-104X	-----	C CAPACITOR	(Deletion)	1	01,02,03
	03	C4509	-----	NCB31CK-104X	C CAPACITOR	(Addition)	1	01
	03	C4531	NEAF1EM-475X	-----	E CAPACITOR	(Deletion)	1	01,02,03
	03	C4531	-----	NEAF1EM-475X	E CAPACITOR	(Addition)	1	01
	03	C4532	NDC31HJ-821X	-----	C CAPACITOR	(Deletion)	1	01,02,03
	03	C4532	-----	NDC31HJ-821X	C CAPACITOR	(Addition)	1	01
	03	C4533	NDC31HJ-681X	-----	C CAPACITOR	(Deletion)	1	01,02,03
	03	C4533	-----	NDC31HJ-681X	C CAPACITOR	(Addition)	1	01
	03	C4534	NEAF1CM-107X	-----	E CAPACITOR	(Deletion)	1	01,02,03
	03	C4534	-----	NEAF1CM-107X	E CAPACITOR	(Addition)	1	01
	03	C4535	NEAF1EM-475X	-----	E CAPACITOR	(Deletion)	1	01,02,03
	03	C4535	-----	NEAF1EM-475X	E CAPACITOR	(Addition)	1	01
	03	C4536	NEAF1CM-107X	-----	E CAPACITOR	(Deletion)	1	01,02,03
	03	C4536	-----	NEAF1CM-107X	E CAPACITOR	(Addition)	1	01



△	Symbol	or	Part No.		Part Name	Description	Qty	Models
			<Rev.001>	<Rev.002>				
03	C4538		NDC31HJ-331X	-----	C CAPACITOR	(Deletion)	1	01,02,03
03	C4538		-----	NDC31HJ-331X	C CAPACITOR	(Addition)	1	01
03	C4541		NEAF1EM-475X	-----	E CAPACITOR	(Deletion)	1	01,02,03
03	C4541		-----	NEAF1EM-475X	E CAPACITOR	(Addition)	1	01
03	C4542		NDC31HJ-821X	-----	C CAPACITOR	(Deletion)	1	01,02,03
03	C4542		-----	NDC31HJ-821X	C CAPACITOR	(Addition)	1	01
03	C4543		NDC31HJ-681X	-----	C CAPACITOR	(Deletion)	1	01,02,03
03	C4543		-----	NDC31HJ-681X	C CAPACITOR	(Addition)	1	01
03	C4544		NEAF1CM-107X	-----	E CAPACITOR	(Deletion)	1	01,02,03
03	C4544		-----	NEAF1CM-107X	E CAPACITOR	(Addition)	1	01
03	C4545		NEAF1EM-475X	-----	E CAPACITOR	(Deletion)	1	01,02,03
03	C4545		-----	NEAF1EM-475X	E CAPACITOR	(Addition)	1	01
03	C4548		NDC31HJ-331X	-----	C CAPACITOR	(Deletion)	1	01,02,03
03	C4548		-----	NDC31HJ-331X	C CAPACITOR	(Addition)	1	01
03	R401		NRSA63J-0R0X	-----	MG RESISTOR	(Deletion)	1	01,02,03
03	R401		-----	NRSA63J-0R0X	MG RESISTOR	(Addition)	1	01
03	R402		NRSA63J-0R0X	-----	MG RESISTOR	(Deletion)	1	01,02,03
03	R402		-----	NRSA63J-0R0X	MG RESISTOR	(Addition)	1	01
03	R403		NRSA63J-102X	-----	MG RESISTOR	(Deletion)	1	01,02,03
03	R403		-----	NRSA63J-102X	MG RESISTOR	(Addition)	1	01
03	R451		NRSA63D-682X	-----	MG RESISTOR	(Deletion)	1	01,02,03
03	R451		-----	NRSA63D-682X	MG RESISTOR	(Addition)	1	01
03	R452		NRSA63D-302X	-----	MG RESISTOR	(Deletion)	1	01,02,03
03	R452		-----	NRSA63D-302X	MG RESISTOR	(Addition)	1	01
03	R453		NRSA63D-682X	-----	MG RESISTOR	(Deletion)	1	01,02,03
03	R453		-----	NRSA63D-682X	MG RESISTOR	(Addition)	1	01
03	R454		NRSA63D-222X	-----	MG RESISTOR	(Deletion)	1	01,02,03
03	R454		-----	NRSA63D-222X	MG RESISTOR	(Addition)	1	01
03	R455		NRSA63J-681X	-----	MG RESISTOR	(Deletion)	1	01,02,03
03	R455		-----	NRSA63J-681X	MG RESISTOR	(Addition)	1	01
03	R457		NRSA63J-104X	-----	MG RESISTOR	(Deletion)	1	01,02,03
03	R457		-----	NRSA63J-104X	MG RESISTOR	(Addition)	1	01
03	R4501		NRSA63J-101X	-----	MG RESISTOR	(Deletion)	1	01,02,03
03	R4501		-----	NRSA63J-101X	MG RESISTOR	(Addition)	1	01
03	R4531		NRSA63J-104X	-----	MG RESISTOR	(Deletion)	1	01,02,03
03	R4531		-----	NRSA63J-104X	MG RESISTOR	(Addition)	1	01
03	R4532		NRSA63J-182X	-----	MG RESISTOR	(Deletion)	1	01,02,03
03	R4532		-----	NRSA63J-182X	MG RESISTOR	(Addition)	1	01
03	R4533		NRSA63J-182X	-----	MG RESISTOR	(Deletion)	1	01,02,03
03	R4533		-----	NRSA63J-182X	MG RESISTOR	(Addition)	1	01
03	R4534		NRSA63J-104X	-----	MG RESISTOR	(Deletion)	1	01,02,03
03	R4534		-----	NRSA63J-104X	MG RESISTOR	(Addition)	1	01
03	R4535		NRSA63J-102X	-----	MG RESISTOR	(Deletion)	1	01,02,03
03	R4535		-----	NRSA63J-102X	MG RESISTOR	(Addition)	1	01
03	R4536		NRSA63J-752X	-----	MG RESISTOR	(Deletion)	1	01,02,03
03	R4536		-----	NRSA63J-752X	MG RESISTOR	(Addition)	1	01
03	R4537		NRSA63J-472X	-----	MG RESISTOR	(Deletion)	1	01,02,03
03	R4537		-----	NRSA63J-472X	MG RESISTOR	(Addition)	1	01
03	R4541		NRSA63J-104X	-----	MG RESISTOR	(Deletion)	1	01,02,03
03	R4541		-----	NRSA63J-104X	MG RESISTOR	(Addition)	1	01
03	R4542		NRSA63J-182X	-----	MG RESISTOR	(Deletion)	1	01,02,03
03	R4542		-----	NRSA63J-182X	MG RESISTOR	(Addition)	1	01
03	R4543		NRSA63J-182X	-----	MG RESISTOR	(Deletion)	1	01,02,03
03	R4543		-----	NRSA63J-182X	MG RESISTOR	(Addition)	1	01
03	R4544		NRSA63J-104X	-----	MG RESISTOR	(Deletion)	1	01,02,03
03	R4544		-----	NRSA63J-104X	MG RESISTOR	(Addition)	1	01
03	R4545		NRSA63J-102X	-----	MG RESISTOR	(Deletion)	1	01,02,03
03	R4545		-----	NRSA63J-102X	MG RESISTOR	(Addition)	1	01
03	R4546		NRSA63J-752X	-----	MG RESISTOR	(Deletion)	1	01,02,03
03	R4546		-----	NRSA63J-752X	MG RESISTOR	(Addition)	1	01
03	R4547		NRSA63J-472X	-----	MG RESISTOR	(Deletion)	1	01,02,03
03	R4547		-----	NRSA63J-472X	MG RESISTOR	(Addition)	1	01
03	CN401		NNZ0230-003	-----	CAR CONNECTOR	(Deletion)	1	01,02,03
03	CN401		-----	NNZ0230-003	CAR CONNECTOR	(Addition)	1	01
03	CN402		QGA1002F1-02X	-----	CONNECTOR	(Deletion)	1	01,02,03
03	CN402		-----	QGA1002F1-02X	CONNECTOR	(Addition)	1	01
03	CN411		QGB0815J1-60X	-----	CONNECTOR	(Deletion)	1	01,02,03
03	CN411		-----	QGB0815J1-60X	CONNECTOR	(Addition)	1	01

△	Symbol	or	Part No.		Part Name	Description	Qty	Models
			<Rev.001>	<Rev.002>				
	03	CN412	QGB1004J4-30X	-----	CONNECTOR	(Deletion)	1	01,02,03
	03	CN412	-----	QGB1004J4-30X	CONNECTOR	(Addition)	1	01
	03	CN421	QGB0815J1-60X	-----	CONNECTOR	(Deletion)	1	01,02,03
	03	CN421	-----	QGB0815J1-60X	CONNECTOR	(Addition)	1	01
	03	CN422	QGB1004J4-30X	-----	CONNECTOR	(Deletion)	1	01,02,03
	03	CN422	-----	QGB1004J4-30X	CONNECTOR	(Addition)	1	01
	03	CN451	QGB2027L9-30X	-----	CONNECTOR	(Deletion)	1	01,02,03
	03	CN451	-----	QGB2027L9-30X	CONNECTOR	(Addition)	1	01
	03	CN461	QGF0534F3-50X	-----	CONNECTOR	(Deletion)	1	01,02,03
	03	CN461	-----	QGF0534F3-50X	CONNECTOR	(Addition)	1	01
	03	CN491	QGA1002F1-02X	-----	CONNECTOR	(Deletion)	1	01,02,03
	03	CN491	-----	QGA1002F1-02X	CONNECTOR	(Addition)	1	01
	03	EP401	NNZ0165-001X	-----	EARTH TERMINAL	(Deletion)	1	01,02,03
	03	EP401	-----	NNZ0165-001X	EARTH TERMINAL	(Addition)	1	01
	03	EP402	NNZ0165-001X	-----	EARTH TERMINAL	(Deletion)	1	01,02,03
	03	EP402	-----	NNZ0165-001X	EARTH TERMINAL	(Addition)	1	01
	03	EP403	NNZ0165-001X	-----	EARTH TERMINAL	(Deletion)	1	01,02,03
	03	EP403	-----	NNZ0165-001X	EARTH TERMINAL	(Addition)	1	01
	03	EP451	NNZ0165-001X	-----	EARTH TERMINAL	(Deletion)	1	01,02,03
	03	EP451	-----	NNZ0165-001X	EARTH TERMINAL	(Addition)	1	01
	03	EP452	NNZ0165-001X	-----	EARTH TERMINAL	(Deletion)	1	01,02,03
	03	EP452	-----	NNZ0165-001X	EARTH TERMINAL	(Addition)	1	01
	03	EP453	NNZ0165-001X	-----	EARTH TERMINAL	(Deletion)	1	01,02,03
	03	EP453	-----	NNZ0165-001X	EARTH TERMINAL	(Addition)	1	01
	03	EP454	NNZ0165-001X	-----	EARTH TERMINAL	(Deletion)	1	01,02,03
	03	EP454	-----	NNZ0165-001X	EARTH TERMINAL	(Addition)	1	01

#### Old Panel board Old KW-NT1J [04]

△	Symbol	or	Part No.		Part Name	Description	Qty	Models
			<Rev.001>	<Rev.002>				
	04	IC801	BU21010MUV-X	-----	IC	(Deletion)	1	01,02,03
	04	IC801	-----	BU21010MUV-X	IC	(Addition)	1	01
	04	IC901	JVM4233	-----	IC(MCU)	(Deletion)	1	01,02,03
	04	IC901	-----	JVM4233	IC(MCU)	(Addition)	1	01
	04	IC921	KE455U2557MFP	-----	IC	(Deletion)	1	01,02,03
	04	IC921	-----	KE455U2557MFP	IC	(Addition)	1	01
	04	IC941	NJM072BV-X	-----	IC	(Deletion)	1	01,02,03
	04	IC941	-----	NJM072BV-X	IC	(Addition)	1	01
	04	IC945	TC74VHCT04AFT-X	-----	IC	(Deletion)	1	01,02,03
	04	IC945	-----	TC74VHCT04AFT-X	IC	(Addition)	1	01
	04	IC951	TPS61500PWP-X	-----	IC	(Deletion)	1	01,02,03
	04	IC951	-----	TPS61500PWP-X	IC	(Addition)	1	01
	04	IC952	TC7S08FU-X	-----	IC C.M .	(Deletion)	1	01,02,03
	04	IC952	-----	TC7S08FU-X	IC C.M .	(Addition)	1	01
	04	IC970	TC4066BFT-X	-----	IC(DIGITAL)	(Deletion)	1	01,02,03
	04	IC970	-----	TC4066BFT-X	IC(DIGITAL)	(Addition)	1	01
	04	IC973	NJM4565E-X	-----	IC	(Deletion)	1	01,02,03
	04	IC973	-----	NJM4565E-X	IC	(Addition)	1	01
	04	IC975	TC4066BFT-X	-----	IC(DIGITAL)	(Deletion)	1	01,02,03
	04	IC975	-----	TC4066BFT-X	IC(DIGITAL)	(Addition)	1	01
	04	IC980	NAU0004-005	-----	RF MODULE	(Deletion)	1	01,02,03
	04	IC980	-----	NAU0004-005	RF MODULE	(Addition)	1	01
	04	IC983	NJM4565E-X	-----	IC	(Deletion)	1	01,02,03
	04	IC983	-----	NJM4565E-X	IC	(Addition)	1	01
	04	IC985	NJM2229M-X	-----	IC	(Deletion)	1	01,02,03
	04	IC985	-----	NJM2229M-X	IC	(Addition)	1	01
	04	IC986	NJM2505AF-X	-----	IC	(Deletion)	1	01,02,03
	04	IC986	-----	NJM2505AF-X	IC	(Addition)	1	01
	04	IC987	NJM2505AF-X	-----	IC	(Deletion)	1	01,02,03
	04	IC987	-----	NJM2505AF-X	IC	(Addition)	1	01
	04	IC991	BA50BC0FP-X	-----	IC	(Deletion)	1	01,02,03
	04	IC991	-----	BA50BC0FP-X	IC	(Addition)	1	01
	04	IC992	NJM2871BF33-X	-----	IC	(Deletion)	1	01,02,03
	04	IC992	-----	NJM2871BF33-X	IC	(Addition)	1	01
	04	IC993	BA00BC0WFP-X	-----	IC(DIGITAL)	(Deletion)	1	01,02,03
	04	IC993	-----	BA00BC0WFP-X	IC(DIGITAL)	(Addition)	1	01
	04	Q9101	2SA2119K-X	-----	TRANSISTOR	(Deletion)	1	01,02,03
	04	Q9101	-----	2SA2119K-X	TRANSISTOR	(Addition)	1	01

△	Symbol	or	Part No.		Part Name	Description	Qty	Models
			<Rev.001>	<Rev.002>				
	04	Q9102	2SC5938A/B/-X	-----	TRANSISTOR	(Deletion)	1	01,02,03
	04	Q9102	-----	2SC5938A/B/-X	TRANSISTOR	(Addition)	1	01
	04	Q9111	2SA2119K-X	-----	TRANSISTOR	(Deletion)	1	01,02,03
	04	Q9111	-----	2SA2119K-X	TRANSISTOR	(Addition)	1	01
	04	Q9112	2SC5938A/B/-X	-----	TRANSISTOR	(Deletion)	1	01,02,03
	04	Q9112	-----	2SC5938A/B/-X	TRANSISTOR	(Addition)	1	01
	04	Q9121	ISA1530AC1/R/-X	-----	TRANSISTOR	(Deletion)	1	01,02,03
	04	Q9121	-----	ISA1530AC1/R/-X	TRANSISTOR	(Addition)	1	01
	04	Q9401	2SD601A/QR/-X	-----	TRANSISTOR	(Deletion)	1	01,02,03
	04	Q9401	-----	2SD601A/QR/-X	TRANSISTOR	(Addition)	1	01
	04	Q9402	2SB709A/QR/-X	-----	TRANSISTOR	(Deletion)	1	01,02,03
	04	Q9402	-----	2SB709A/QR/-X	TRANSISTOR	(Addition)	1	01
	04	Q9403	2SD601A/QR/-X	-----	TRANSISTOR	(Deletion)	1	01,02,03
	04	Q9403	-----	2SD601A/QR/-X	TRANSISTOR	(Addition)	1	01
	04	Q9404	2SB709A/QR/-X	-----	TRANSISTOR	(Deletion)	1	01,02,03
	04	Q9404	-----	2SB709A/QR/-X	TRANSISTOR	(Addition)	1	01
	04	Q9511	RSQ025P03-W	-----	TRANSISTOR	(Deletion)	1	01,02,03
	04	Q9511	-----	RSQ025P03-W	TRANSISTOR	(Addition)	1	01
	04	Q9512	2SK3019-X	-----	MOS FET	(Deletion)	1	01,02,03
	04	Q9512	-----	2SK3019-X	MOS FET	(Addition)	1	01
	04	Q9601	RT1N141C-X	-----	DIGI TRANSISTOR	(Deletion)	1	01,02,03
	04	Q9601	-----	RT1N141C-X	DIGI TRANSISTOR	(Addition)	1	01
	04	Q9602	RT1N141C-X	-----	DIGI TRANSISTOR	(Deletion)	1	01,02,03
	04	Q9602	-----	RT1N141C-X	DIGI TRANSISTOR	(Addition)	1	01
	04	Q9701	RT1N141C-X	-----	DIGI TRANSISTOR	(Deletion)	1	01,02,03
	04	Q9701	-----	RT1N141C-X	DIGI TRANSISTOR	(Addition)	1	01
	04	Q9702	RT1N441C-X	-----	TRANSISTOR	(Deletion)	1	01,02,03
	04	Q9702	-----	RT1N441C-X	TRANSISTOR	(Addition)	1	01
	04	Q9711	RT1N141C-X	-----	DIGI TRANSISTOR	(Deletion)	1	01,02,03
	04	Q9711	-----	RT1N141C-X	DIGI TRANSISTOR	(Addition)	1	01
	04	Q9712	2SB709A/QR/-X	-----	TRANSISTOR	(Deletion)	1	01,02,03
	04	Q9712	-----	2SB709A/QR/-X	TRANSISTOR	(Addition)	1	01
	04	Q9713	2SC5938A/B/-X	-----	TRANSISTOR	(Deletion)	1	01,02,03
	04	Q9713	-----	2SC5938A/B/-X	TRANSISTOR	(Addition)	1	01
	04	Q9714	2SB709A/QR/-X	-----	TRANSISTOR	(Deletion)	1	01,02,03
	04	Q9714	-----	2SB709A/QR/-X	TRANSISTOR	(Addition)	1	01
	04	Q9715	2SC5938A/B/-X	-----	TRANSISTOR	(Deletion)	1	01,02,03
	04	Q9715	-----	2SC5938A/B/-X	TRANSISTOR	(Addition)	1	01
	04	Q9751	RT1N141C-X	-----	DIGI TRANSISTOR	(Deletion)	1	01,02,03
	04	Q9751	-----	RT1N141C-X	DIGI TRANSISTOR	(Addition)	1	01
	04	Q9752	RT1N441C-X	-----	TRANSISTOR	(Deletion)	1	01,02,03
	04	Q9752	-----	RT1N441C-X	TRANSISTOR	(Addition)	1	01
	04	D8401	CL-260S-HB8-X	-----	LED	(Deletion)	1	01,02,03
	04	D8401	-----	CL-260S-HB8-X	LED	(Addition)	1	01
	04	D8402	CL-260S-HB8-X	-----	LED	(Deletion)	1	01,02,03
	04	D8402	-----	CL-260S-HB8-X	LED	(Addition)	1	01
	04	D8403	CL-260S-HB8-X	-----	LED	(Deletion)	1	01,02,03
	04	D8403	-----	CL-260S-HB8-X	LED	(Addition)	1	01
	04	D8404	CL-260S-HB8-X	-----	LED	(Deletion)	1	01,02,03
	04	D8404	-----	CL-260S-HB8-X	LED	(Addition)	1	01
	04	D9004	MA2SD31-X	-----	SB DIODE	(Deletion)	1	01,02,03
	04	D9004	-----	MA2SD31-X	SB DIODE	(Addition)	1	01
	04	D9501	MA22D39-X	-----	SB DIODE	(Deletion)	1	01,02,03
	04	D9501	-----	MA22D39-X	SB DIODE	(Addition)	1	01
	04	D9812	MA8033-X	-----	Z DIODE	(Deletion)	1	01,02,03
	04	D9812	-----	MA8033-X	Z DIODE	(Addition)	1	01
	04	C8301	NBE20JM-476X	-----	TA E CAPACITOR	(Deletion)	1	01,02,03
	04	C8301	-----	NBE20JM-476X	TA E CAPACITOR	(Addition)	1	01
	04	C8302	NCB31CK-104X	-----	C CAPACITOR	(Deletion)	1	01,02,03
	04	C8302	-----	NCB31CK-104X	C CAPACITOR	(Addition)	1	01
	04	C8303	NBE20JM-476X	-----	TA E CAPACITOR	(Deletion)	1	01,02,03
	04	C8303	-----	NBE20JM-476X	TA E CAPACITOR	(Addition)	1	01
	04	C8304	NCB31CK-104X	-----	C CAPACITOR	(Deletion)	1	01,02,03
	04	C8304	-----	NCB31CK-104X	C CAPACITOR	(Addition)	1	01
	04	C8305	NDC31HJ-150X-G	-----	C CAPACITOR	(Deletion)	1	01,02,03
	04	C8305	-----	NDC31HJ-150X-G	C CAPACITOR	(Addition)	1	01
	04	C8306	NCB31HK-103X	-----	C CAPACITOR	(Deletion)	1	01,02,03
	04	C8306	-----	NCB31HK-103X	C CAPACITOR	(Addition)	1	01

△	Symbol	or	Part No.		Part Name	Description	Qty	Models
			<Rev.001>	<Rev.002>				
	04	C8501	NCB31HK-103X	-----	C CAPACITOR	(Deletion)	1	01,02,03
	04	C8501	-----	NCB31HK-103X	C CAPACITOR	(Addition)	1	01
	04	C8504	NCB31HK-103X	-----	C CAPACITOR	(Deletion)	1	01,02,03
	04	C8504	-----	NCB31HK-103X	C CAPACITOR	(Addition)	1	01
	04	C8505	NCJ11EK-106X-R	-----	C CAPACITOR	(Deletion)	1	01,02,03
	04	C8505	-----	NCJ11EK-106X-R	C CAPACITOR	(Addition)	1	01
	04	C8601	NDC31HJ-101X	-----	C CAPACITOR	(Deletion)	1	01,02,03
	04	C8601	-----	NDC31HJ-101X	C CAPACITOR	(Addition)	1	01
	04	C8602	NDC31HJ-101X	-----	C CAPACITOR	(Deletion)	1	01,02,03
	04	C8602	-----	NDC31HJ-101X	C CAPACITOR	(Addition)	1	01
	04	C8603	NDC31HJ-101X	-----	C CAPACITOR	(Deletion)	1	01,02,03
	04	C8603	-----	NDC31HJ-101X	C CAPACITOR	(Addition)	1	01
	04	C8604	NCB31HK-102X	-----	C CAPACITOR	(Deletion)	1	01,02,03
	04	C8604	-----	NCB31HK-102X	C CAPACITOR	(Addition)	1	01
	04	C9031	NCB31CK-104X	-----	C CAPACITOR	(Deletion)	1	01,02,03
	04	C9031	-----	NCB31CK-104X	C CAPACITOR	(Addition)	1	01
	04	C9061	NCB31CK-104X	-----	C CAPACITOR	(Deletion)	1	01,02,03
	04	C9061	-----	NCB31CK-104X	C CAPACITOR	(Addition)	1	01
	04	C9062	NDC31HJ-8R0X	-----	C CAPACITOR	(Deletion)	1	01,02,03
	04	C9062	-----	NDC31HJ-8R0X	C CAPACITOR	(Addition)	1	01
	04	C9063	NDC31HJ-8R0X	-----	C CAPACITOR	(Deletion)	1	01,02,03
	04	C9063	-----	NDC31HJ-8R0X	C CAPACITOR	(Addition)	1	01
	04	C9064	NCB31CK-474X	-----	C CAPACITOR	(Deletion)	1	01,02,03
	04	C9064	-----	NCB31CK-474X	C CAPACITOR	(Addition)	1	01
	04	C9065	NCB31CK-104X	-----	C CAPACITOR	(Deletion)	1	01,02,03
	04	C9065	-----	NCB31CK-104X	C CAPACITOR	(Addition)	1	01
	04	C9071	NCB31CK-104X	-----	C CAPACITOR	(Deletion)	1	01,02,03
	04	C9071	-----	NCB31CK-104X	C CAPACITOR	(Addition)	1	01
	04	C9072	NBE40JM-476X	-----	TA E CAPACITOR	(Deletion)	1	01,02,03
	04	C9072	-----	NBE40JM-476X	TA E CAPACITOR	(Addition)	1	01
	04	C9092	NCB31HK-103X	-----	C CAPACITOR	(Deletion)	1	01,02,03
	04	C9092	-----	NCB31HK-103X	C CAPACITOR	(Addition)	1	01
	04	C9101	NCB31AK-105X	-----	C CAPACITOR	(Deletion)	1	01,02,03
	04	C9101	-----	NCB31AK-105X	C CAPACITOR	(Addition)	1	01
	04	C9111	NCB31AK-105X	-----	C CAPACITOR	(Deletion)	1	01,02,03
	04	C9111	-----	NCB31AK-105X	C CAPACITOR	(Addition)	1	01
	04	C9131	NCB31HK-103X	-----	C CAPACITOR	(Deletion)	1	01,02,03
	04	C9131	-----	NCB31HK-103X	C CAPACITOR	(Addition)	1	01
	04	C9132	NCB31HK-103X	-----	C CAPACITOR	(Deletion)	1	01,02,03
	04	C9132	-----	NCB31HK-103X	C CAPACITOR	(Addition)	1	01
	04	C9133	NCB31HK-103X	-----	C CAPACITOR	(Deletion)	1	01,02,03
	04	C9133	-----	NCB31HK-103X	C CAPACITOR	(Addition)	1	01
	04	C9134	NCB31HK-103X	-----	C CAPACITOR	(Deletion)	1	01,02,03
	04	C9134	-----	NCB31HK-103X	C CAPACITOR	(Addition)	1	01
	04	C9201	NCB31CK-104X	-----	C CAPACITOR	(Deletion)	1	01,02,03
	04	C9201	-----	NCB31CK-104X	C CAPACITOR	(Addition)	1	01
	04	C9202	NCB31CK-104X	-----	C CAPACITOR	(Deletion)	1	01,02,03
	04	C9202	-----	NCB31CK-104X	C CAPACITOR	(Addition)	1	01
	04	C9231	NCB31CK-104X	-----	C CAPACITOR	(Deletion)	1	01,02,03
	04	C9231	-----	NCB31CK-104X	C CAPACITOR	(Addition)	1	01
	04	C9232	NCB31CK-104X	-----	C CAPACITOR	(Deletion)	1	01,02,03
	04	C9232	-----	NCB31CK-104X	C CAPACITOR	(Addition)	1	01
	04	C9233	NCB31CK-104X	-----	C CAPACITOR	(Deletion)	1	01,02,03
	04	C9233	-----	NCB31CK-104X	C CAPACITOR	(Addition)	1	01
	04	C9234	NCB31CK-104X	-----	C CAPACITOR	(Deletion)	1	01,02,03
	04	C9234	-----	NCB31CK-104X	C CAPACITOR	(Addition)	1	01
	04	C9261	NCB31CK-104X	-----	C CAPACITOR	(Deletion)	1	01,02,03
	04	C9261	-----	NCB31CK-104X	C CAPACITOR	(Addition)	1	01
	04	C9262	NCB31CK-104X	-----	C CAPACITOR	(Deletion)	1	01,02,03
	04	C9262	-----	NCB31CK-104X	C CAPACITOR	(Addition)	1	01
	04	C9291	NCB31CK-104X	-----	C CAPACITOR	(Deletion)	1	01,02,03
	04	C9291	-----	NCB31CK-104X	C CAPACITOR	(Addition)	1	01
	04	C9292	NCB31CK-104X	-----	C CAPACITOR	(Deletion)	1	01,02,03
	04	C9292	-----	NCB31CK-104X	C CAPACITOR	(Addition)	1	01
	04	C9301	NBE41AM-226X	-----	TA E CAPACITOR	(Deletion)	1	01,02,03
	04	C9301	-----	NBE41AM-226X	TA E CAPACITOR	(Addition)	1	01
	04	C9401	NBE41DM-106X	-----	TA E CAPACITOR	(Deletion)	1	01,02,03
	04	C9401	-----	NBE41DM-106X	TA E CAPACITOR	(Addition)	1	01

△	Symbol	or	Part No.		Part Name	Description	Qty	Models
			<Rev.001>	<Rev.002>				
04	C9402		NCJ11EK-106X-R	-----	C CAPACITOR	(Deletion)	1	01,02,03
04	C9402		-----	NCJ11EK-106X-R	C CAPACITOR	(Addition)	1	01
04	C9403		NCB31CK-104X	-----	C CAPACITOR	(Deletion)	1	01,02,03
04	C9403		-----	NCB31CK-104X	C CAPACITOR	(Addition)	1	01
04	C9404		NCB31CK-104X	-----	C CAPACITOR	(Deletion)	1	01,02,03
04	C9404		-----	NCB31CK-104X	C CAPACITOR	(Addition)	1	01
04	C9405		NCB31EK-104X	-----	C CAPACITOR	(Deletion)	1	01,02,03
04	C9405		-----	NCB31EK-104X	C CAPACITOR	(Addition)	1	01
04	C9406		NCJ11EK-106X-R	-----	C CAPACITOR	(Deletion)	1	01,02,03
04	C9406		-----	NCJ11EK-106X-R	C CAPACITOR	(Addition)	1	01
04	C9407		NCB31EK-104X	-----	C CAPACITOR	(Deletion)	1	01,02,03
04	C9407		-----	NCB31EK-104X	C CAPACITOR	(Addition)	1	01
04	C9408		NCJ11EK-106X-R	-----	C CAPACITOR	(Deletion)	1	01,02,03
04	C9408		-----	NCJ11EK-106X-R	C CAPACITOR	(Addition)	1	01
04	C9409		NCB31AK-474X	-----	C CAPACITOR	(Deletion)	1	01,02,03
04	C9409		-----	NCB31AK-474X	C CAPACITOR	(Addition)	1	01
04	C9410		NCB31HK-104X	-----	C CAPACITOR	(Deletion)	1	01,02,03
04	C9410		-----	NCB31HK-104X	C CAPACITOR	(Addition)	1	01
04	C9411		NCB31CK-104X	-----	C CAPACITOR	(Deletion)	1	01,02,03
04	C9411		-----	NCB31CK-104X	C CAPACITOR	(Addition)	1	01
04	C9451		NCB31CK-104X	-----	C CAPACITOR	(Deletion)	1	01,02,03
04	C9451		-----	NCB31CK-104X	C CAPACITOR	(Addition)	1	01
04	C9481		NCB31CK-104X	-----	C CAPACITOR	(Deletion)	1	01,02,03
04	C9481		-----	NCB31CK-104X	C CAPACITOR	(Addition)	1	01
04	C9482		NCB31HK-104X	-----	C CAPACITOR	(Deletion)	1	01,02,03
04	C9482		-----	NCB31HK-104X	C CAPACITOR	(Addition)	1	01
04	C9483		NCB31CK-104X	-----	C CAPACITOR	(Deletion)	1	01,02,03
04	C9483		-----	NCB31CK-104X	C CAPACITOR	(Addition)	1	01
04	C9484		NCB31CK-104X	-----	C CAPACITOR	(Deletion)	1	01,02,03
04	C9484		-----	NCB31CK-104X	C CAPACITOR	(Addition)	1	01
04	C9501		NBE41DM-106X	-----	TA E CAPACITOR	(Deletion)	1	01,02,03
04	C9501		-----	NBE41DM-106X	TA E CAPACITOR	(Addition)	1	01
04	C9502		NCJ11EK-106X-R	-----	C CAPACITOR	(Deletion)	1	01,02,03
04	C9502		-----	NCJ11EK-106X-R	C CAPACITOR	(Addition)	1	01
04	C9503		NCJ11EK-106X-R	-----	C CAPACITOR	(Deletion)	1	01,02,03
04	C9503		-----	NCJ11EK-106X-R	C CAPACITOR	(Addition)	1	01
04	C9504		NCB31CK-105X	-----	C CAPACITOR	(Deletion)	1	01,02,03
04	C9504		-----	NCB31CK-105X	C CAPACITOR	(Addition)	1	01
04	C9505		NCB31EK-223X	-----	C CAPACITOR	(Deletion)	1	01,02,03
04	C9505		-----	NCB31EK-223X	C CAPACITOR	(Addition)	1	01
04	C9507		NCB31CK-474X	-----	C CAPACITOR	(Deletion)	1	01,02,03
04	C9507		-----	NCB31CK-474X	C CAPACITOR	(Addition)	1	01
04	C9508		NEAG1CM-476X	-----	E CAPACITOR	(Deletion)	1	01,02,03
04	C9508		-----	NEAG1CM-476X	E CAPACITOR	(Addition)	1	01
04	C9509		NEAG1CM-476X	-----	E CAPACITOR	(Deletion)	1	01,02,03
04	C9509		-----	NEAG1CM-476X	E CAPACITOR	(Addition)	1	01
04	C9510		NEAF1CM-107X	-----	E CAPACITOR	(Deletion)	1	01,02,03
04	C9510		-----	NEAF1CM-107X	E CAPACITOR	(Addition)	1	01
04	C9511		NEAG1CM-476X	-----	E CAPACITOR	(Deletion)	1	01,02,03
04	C9511		-----	NEAG1CM-476X	E CAPACITOR	(Addition)	1	01
04	C9512		NCB31CK-104X	-----	C CAPACITOR	(Deletion)	1	01,02,03
04	C9512		-----	NCB31CK-104X	C CAPACITOR	(Addition)	1	01
04	C9513		NCJ11EK-106X-R	-----	C CAPACITOR	(Deletion)	1	01,02,03
04	C9513		-----	NCJ11EK-106X-R	C CAPACITOR	(Addition)	1	01
04	C9514		NCJ11EK-106X-R	-----	C CAPACITOR	(Deletion)	1	01,02,03
04	C9514		-----	NCJ11EK-106X-R	C CAPACITOR	(Addition)	1	01
04	C9515		NCJ11EK-106X-R	-----	C CAPACITOR	(Deletion)	1	01,02,03
04	C9515		-----	NCJ11EK-106X-R	C CAPACITOR	(Addition)	1	01
04	C9516		NCJ11EK-106X-R	-----	C CAPACITOR	(Deletion)	1	01,02,03
04	C9516		-----	NCJ11EK-106X-R	C CAPACITOR	(Addition)	1	01
04	C9702		NCB31CK-104X	-----	C CAPACITOR	(Deletion)	1	01,02,03
04	C9702		-----	NCB31CK-104X	C CAPACITOR	(Addition)	1	01
04	C9703		NCJ21CK-106X-R	-----	C CAPACITOR	(Deletion)	1	01,02,03
04	C9703		-----	NCJ21CK-106X-R	C CAPACITOR	(Addition)	1	01
04	C9704		NCJ21CK-106X-R	-----	C CAPACITOR	(Deletion)	1	01,02,03
04	C9704		-----	NCJ21CK-106X-R	C CAPACITOR	(Addition)	1	01
04	C9705		NCB31HK-103X	-----	C CAPACITOR	(Deletion)	1	01,02,03
04	C9705		-----	NCB31HK-103X	C CAPACITOR	(Addition)	1	01

△	Symbol	or	Part No.		Part Name	Description	Qty	Models
			<Rev.001>	<Rev.002>				
	04	C9731	NCB31CK-104X	-----	C CAPACITOR	(Deletion)	1	01,02,03
	04	C9731	-----	NCB31CK-104X	C CAPACITOR	(Addition)	1	01
	04	C9733	NBE41AM-476X	-----	TA E CAPACITOR	(Deletion)	1	01,02,03
	04	C9733	-----	NBE41AM-476X	TA E CAPACITOR	(Addition)	1	01
	04	C9736	NCB31CK-105X	-----	C CAPACITOR	(Deletion)	1	01,02,03
	04	C9736	-----	NCB31CK-105X	C CAPACITOR	(Addition)	1	01
	04	C9737	NCB31CK-105X	-----	C CAPACITOR	(Deletion)	1	01,02,03
	04	C9737	-----	NCB31CK-105X	C CAPACITOR	(Addition)	1	01
	04	C9742	NCB31CK-105X	-----	C CAPACITOR	(Deletion)	1	01,02,03
	04	C9742	-----	NCB31CK-105X	C CAPACITOR	(Addition)	1	01
	04	C9743	NCB31CK-105X	-----	C CAPACITOR	(Deletion)	1	01,02,03
	04	C9743	-----	NCB31CK-105X	C CAPACITOR	(Addition)	1	01
	04	C9744	NDC31HJ-101X	-----	C CAPACITOR	(Deletion)	1	01,02,03
	04	C9744	-----	NDC31HJ-101X	C CAPACITOR	(Addition)	1	01
	04	C9745	NDC31HJ-101X	-----	C CAPACITOR	(Deletion)	1	01,02,03
	04	C9745	-----	NDC31HJ-101X	C CAPACITOR	(Addition)	1	01
	04	C9746	NDC31HJ-101X	-----	C CAPACITOR	(Deletion)	1	01,02,03
	04	C9746	-----	NDC31HJ-101X	C CAPACITOR	(Addition)	1	01
	04	C9747	NDC31HJ-101X	-----	C CAPACITOR	(Deletion)	1	01,02,03
	04	C9747	-----	NDC31HJ-101X	C CAPACITOR	(Addition)	1	01
	04	C9752	NCB31CK-104X	-----	C CAPACITOR	(Deletion)	1	01,02,03
	04	C9752	-----	NCB31CK-104X	C CAPACITOR	(Addition)	1	01
	04	C9801	NEAF0JM-107X	-----	E CAPACITOR	(Deletion)	1	01,02,03
	04	C9801	-----	NEAF0JM-107X	E CAPACITOR	(Addition)	1	01
	04	C9802	NCB31CK-104X	-----	C CAPACITOR	(Deletion)	1	01,02,03
	04	C9802	-----	NCB31CK-104X	C CAPACITOR	(Addition)	1	01
	04	C9811	NCB31CK-105X	-----	C CAPACITOR	(Deletion)	1	01,02,03
	04	C9811	-----	NCB31CK-105X	C CAPACITOR	(Addition)	1	01
	04	C9812	NCB31CK-105X	-----	C CAPACITOR	(Deletion)	1	01,02,03
	04	C9812	-----	NCB31CK-105X	C CAPACITOR	(Addition)	1	01
	04	C9813	NCB31CK-105X	-----	C CAPACITOR	(Deletion)	1	01,02,03
	04	C9813	-----	NCB31CK-105X	C CAPACITOR	(Addition)	1	01
	04	C9814	NCB31CK-105X	-----	C CAPACITOR	(Deletion)	1	01,02,03
	04	C9814	-----	NCB31CK-105X	C CAPACITOR	(Addition)	1	01
	04	C9815	NCB31HK-103X	-----	C CAPACITOR	(Deletion)	1	01,02,03
	04	C9815	-----	NCB31HK-103X	C CAPACITOR	(Addition)	1	01
	04	C9831	NCB31CK-104X	-----	C CAPACITOR	(Deletion)	1	01,02,03
	04	C9831	-----	NCB31CK-104X	C CAPACITOR	(Addition)	1	01
	04	C9833	NBE41AM-226X	-----	TA E CAPACITOR	(Deletion)	1	01,02,03
	04	C9833	-----	NBE41AM-226X	TA E CAPACITOR	(Addition)	1	01
	04	C9834	NCB31CK-105X	-----	C CAPACITOR	(Deletion)	1	01,02,03
	04	C9834	-----	NCB31CK-105X	C CAPACITOR	(Addition)	1	01
	04	C9836	NCB31CK-105X	-----	C CAPACITOR	(Deletion)	1	01,02,03
	04	C9836	-----	NCB31CK-105X	C CAPACITOR	(Addition)	1	01
	04	C9838	NDC31HJ-101X	-----	C CAPACITOR	(Deletion)	1	01,02,03
	04	C9838	-----	NDC31HJ-101X	C CAPACITOR	(Addition)	1	01
	04	C9840	NDC31HJ-331X	-----	C CAPACITOR	(Deletion)	1	01,02,03
	04	C9840	-----	NDC31HJ-331X	C CAPACITOR	(Addition)	1	01
	04	C9842	NDC31HJ-101X	-----	C CAPACITOR	(Deletion)	1	01,02,03
	04	C9842	-----	NDC31HJ-101X	C CAPACITOR	(Addition)	1	01
	04	C9851	NBE51CM-476X	-----	TA E CAPACITOR	(Deletion)	1	01,02,03
	04	C9851	-----	NBE51CM-476X	TA E CAPACITOR	(Addition)	1	01
	04	C9852	NCB31CK-104X	-----	C CAPACITOR	(Deletion)	1	01,02,03
	04	C9852	-----	NCB31CK-104X	C CAPACITOR	(Addition)	1	01
	04	C9853	NCB31HK-103X	-----	C CAPACITOR	(Deletion)	1	01,02,03
	04	C9853	-----	NCB31HK-103X	C CAPACITOR	(Addition)	1	01
	04	C9854	NDC31HJ-101X	-----	C CAPACITOR	(Deletion)	1	01,02,03
	04	C9854	-----	NDC31HJ-101X	C CAPACITOR	(Addition)	1	01
	04	C9855	NCB31HK-102X	-----	C CAPACITOR	(Deletion)	1	01,02,03
	04	C9855	-----	NCB31HK-102X	C CAPACITOR	(Addition)	1	01
	04	C9856	NCB31HK-102X	-----	C CAPACITOR	(Deletion)	1	01,02,03
	04	C9856	-----	NCB31HK-102X	C CAPACITOR	(Addition)	1	01
	04	C9857	NBE41AM-106X	-----	TA E CAPACITOR	(Deletion)	1	01,02,03
	04	C9857	-----	NBE41AM-106X	TA E CAPACITOR	(Addition)	1	01
	04	C9861	NCB31CK-105X	-----	C CAPACITOR	(Deletion)	1	01,02,03
	04	C9861	-----	NCB31CK-105X	C CAPACITOR	(Addition)	1	01
	04	C9862	NCB31CK-105X	-----	C CAPACITOR	(Deletion)	1	01,02,03
	04	C9862	-----	NCB31CK-105X	C CAPACITOR	(Addition)	1	01

△	Symbol	or	Part No.		Part Name	Description	Qty	Models
			<Rev.001>	<Rev.002>				
04	C9863		NCB31CK-105X	-----	C CAPACITOR	(Deletion)	1	01,02,03
04	C9863		-----	NCB31CK-105X	C CAPACITOR	(Addition)	1	01
04	C9871		NBE41CM-226X	-----	TA E CAPACITOR	(Deletion)	1	01,02,03
04	C9871		-----	NBE41CM-226X	TA E CAPACITOR	(Addition)	1	01
04	C9872		NCB31CK-105X	-----	C CAPACITOR	(Deletion)	1	01,02,03
04	C9872		-----	NCB31CK-105X	C CAPACITOR	(Addition)	1	01
04	C9873		NCJ21CK-106X-R	-----	C CAPACITOR	(Deletion)	1	01,02,03
04	C9873		-----	NCJ21CK-106X-R	C CAPACITOR	(Addition)	1	01
04	C9874		NCJ21CK-106X-R	-----	C CAPACITOR	(Deletion)	1	01,02,03
04	C9874		-----	NCJ21CK-106X-R	C CAPACITOR	(Addition)	1	01
04	C9911		NBE51CM-476X	-----	TA E CAPACITOR	(Deletion)	1	01,02,03
04	C9911		-----	NBE51CM-476X	TA E CAPACITOR	(Addition)	1	01
04	C9912		NCB31CK-104X	-----	C CAPACITOR	(Deletion)	1	01,02,03
04	C9912		-----	NCB31CK-104X	C CAPACITOR	(Addition)	1	01
04	C9913		NBE41CM-226X	-----	TA E CAPACITOR	(Deletion)	1	01,02,03
04	C9913		-----	NBE41CM-226X	TA E CAPACITOR	(Addition)	1	01
04	C9914		NCB31HK-103X	-----	C CAPACITOR	(Deletion)	1	01,02,03
04	C9914		-----	NCB31HK-103X	C CAPACITOR	(Addition)	1	01
04	C9921		NCB31CK-104X	-----	C CAPACITOR	(Deletion)	1	01,02,03
04	C9921		-----	NCB31CK-104X	C CAPACITOR	(Addition)	1	01
04	C9922		NBE41AM-226X	-----	TA E CAPACITOR	(Deletion)	1	01,02,03
04	C9922		-----	NBE41AM-226X	TA E CAPACITOR	(Addition)	1	01
04	C9923		NCB31CK-104X	-----	C CAPACITOR	(Deletion)	1	01,02,03
04	C9923		-----	NCB31CK-104X	C CAPACITOR	(Addition)	1	01
04	C9924		NCB31HK-103X	-----	C CAPACITOR	(Deletion)	1	01,02,03
04	C9924		-----	NCB31HK-103X	C CAPACITOR	(Addition)	1	01
04	C9931		NCB31CK-104X	-----	C CAPACITOR	(Deletion)	1	01,02,03
04	C9931		-----	NCB31CK-104X	C CAPACITOR	(Addition)	1	01
04	C9932		NBE41DM-106X	-----	TA E CAPACITOR	(Deletion)	1	01,02,03
04	C9932		-----	NBE41DM-106X	TA E CAPACITOR	(Addition)	1	01
04	C9933		NCJ11EK-106X-R	-----	C CAPACITOR	(Deletion)	1	01,02,03
04	C9933		-----	NCJ11EK-106X-R	C CAPACITOR	(Addition)	1	01
04	C9934		NCJ11EK-106X-R	-----	C CAPACITOR	(Deletion)	1	01,02,03
04	C9934		-----	NCJ11EK-106X-R	C CAPACITOR	(Addition)	1	01
04	R8301		NRSA63J-101X	-----	MG RESISTOR	(Deletion)	1	01,02,03
04	R8301		-----	NRSA63J-101X	MG RESISTOR	(Addition)	1	01
04	R8302		NRSA63J-101X	-----	MG RESISTOR	(Deletion)	1	01,02,03
04	R8302		-----	NRSA63J-101X	MG RESISTOR	(Addition)	1	01
04	R8303		NRSA63J-222X	-----	MG RESISTOR	(Deletion)	1	01,02,03
04	R8303		-----	NRSA63J-222X	MG RESISTOR	(Addition)	1	01
04	R8304		NRSA63J-222X	-----	MG RESISTOR	(Deletion)	1	01,02,03
04	R8304		-----	NRSA63J-222X	MG RESISTOR	(Addition)	1	01
04	R8305		NRSA63J-222X	-----	MG RESISTOR	(Deletion)	1	01,02,03
04	R8305		-----	NRSA63J-222X	MG RESISTOR	(Addition)	1	01
04	R8306		NRSA63J-222X	-----	MG RESISTOR	(Deletion)	1	01,02,03
04	R8306		-----	NRSA63J-222X	MG RESISTOR	(Addition)	1	01
04	R8601		NRSA63J-104X	-----	MG RESISTOR	(Deletion)	1	01,02,03
04	R8601		-----	NRSA63J-104X	MG RESISTOR	(Addition)	1	01
04	R8602		NRSA63J-104X	-----	MG RESISTOR	(Deletion)	1	01,02,03
04	R8602		-----	NRSA63J-104X	MG RESISTOR	(Addition)	1	01
04	R8603		NRSA63J-104X	-----	MG RESISTOR	(Deletion)	1	01,02,03
04	R8603		-----	NRSA63J-104X	MG RESISTOR	(Addition)	1	01
04	R9001		NRSA63J-101X	-----	MG RESISTOR	(Deletion)	1	01,02,03
04	R9001		-----	NRSA63J-101X	MG RESISTOR	(Addition)	1	01
04	R9002		NRSA63J-101X	-----	MG RESISTOR	(Deletion)	1	01,02,03
04	R9002		-----	NRSA63J-101X	MG RESISTOR	(Addition)	1	01
04	R9003		NRSA63J-102X	-----	MG RESISTOR	(Deletion)	1	01,02,03
04	R9003		-----	NRSA63J-102X	MG RESISTOR	(Addition)	1	01
04	R9004		NRSA63J-102X	-----	MG RESISTOR	(Deletion)	1	01,02,03
04	R9004		-----	NRSA63J-102X	MG RESISTOR	(Addition)	1	01
04	R9005		NRSA63J-102X	-----	MG RESISTOR	(Deletion)	1	01,02,03
04	R9005		-----	NRSA63J-102X	MG RESISTOR	(Addition)	1	01
04	R9006		NRSA63J-102X	-----	MG RESISTOR	(Deletion)	1	01,02,03
04	R9006		-----	NRSA63J-102X	MG RESISTOR	(Addition)	1	01
04	R9007		NRSA63J-102X	-----	MG RESISTOR	(Deletion)	1	01,02,03
04	R9007		-----	NRSA63J-102X	MG RESISTOR	(Addition)	1	01
04	R9008		NRSA63J-102X	-----	MG RESISTOR	(Deletion)	1	01,02,03
04	R9008		-----	NRSA63J-102X	MG RESISTOR	(Addition)	1	01

△	Symbol	or	Part No.		Part Name	Description	Qty	Models
			<Rev.001>	<Rev.002>				
	04	R9009	NRSA63J-102X	-----	MG RESISTOR	(Deletion)	1	01,02,03
	04	R9009	-----	NRSA63J-102X	MG RESISTOR	(Addition)	1	01
	04	R9010	NRSA63J-102X	-----	MG RESISTOR	(Deletion)	1	01,02,03
	04	R9010	-----	NRSA63J-102X	MG RESISTOR	(Addition)	1	01
	04	R9011	NRSA63J-102X	-----	MG RESISTOR	(Deletion)	1	01,02,03
	04	R9011	-----	NRSA63J-102X	MG RESISTOR	(Addition)	1	01
	04	R9012	NRSA63J-0R0X	-----	MG RESISTOR	(Deletion)	1	01,02,03
	04	R9012	-----	NRSA63J-0R0X	MG RESISTOR	(Addition)	1	01
	04	R9013	NRSA63J-472X	-----	MG RESISTOR	(Deletion)	1	01,02,03
	04	R9013	-----	NRSA63J-472X	MG RESISTOR	(Addition)	1	01
	04	R9014	NRSA63J-472X	-----	MG RESISTOR	(Deletion)	1	01,02,03
	04	R9014	-----	NRSA63J-472X	MG RESISTOR	(Addition)	1	01
	04	R9015	NRSA63J-103X	-----	MG RESISTOR	(Deletion)	1	01,02,03
	04	R9015	-----	NRSA63J-103X	MG RESISTOR	(Addition)	1	01
	04	R9021	NRSA63J-0R0X	-----	MG RESISTOR	(Deletion)	1	01,02,03
	04	R9021	-----	NRSA63J-0R0X	MG RESISTOR	(Addition)	1	01
	04	R9022	NRSA63J-102X	-----	MG RESISTOR	(Deletion)	1	01,02,03
	04	R9022	-----	NRSA63J-102X	MG RESISTOR	(Addition)	1	01
	04	R9023	NRSA63J-102X	-----	MG RESISTOR	(Deletion)	1	01,02,03
	04	R9023	-----	NRSA63J-102X	MG RESISTOR	(Addition)	1	01
	04	R9024	NRSA63J-102X	-----	MG RESISTOR	(Deletion)	1	01,02,03
	04	R9024	-----	NRSA63J-102X	MG RESISTOR	(Addition)	1	01
	04	R9025	NRSA63J-102X	-----	MG RESISTOR	(Deletion)	1	01,02,03
	04	R9025	-----	NRSA63J-102X	MG RESISTOR	(Addition)	1	01
	04	R9026	NRSA63J-561X	-----	MG RESISTOR	(Deletion)	1	01,02,03
	04	R9026	-----	NRSA63J-561X	MG RESISTOR	(Addition)	1	01
	04	R9027	NRSA63J-561X	-----	MG RESISTOR	(Deletion)	1	01,02,03
	04	R9027	-----	NRSA63J-561X	MG RESISTOR	(Addition)	1	01
	04	R9028	NRSA63J-101X	-----	MG RESISTOR	(Deletion)	1	01,02,03
	04	R9028	-----	NRSA63J-101X	MG RESISTOR	(Addition)	1	01
	04	R9029	NRSA63J-102X	-----	MG RESISTOR	(Deletion)	1	01,02,03
	04	R9029	-----	NRSA63J-102X	MG RESISTOR	(Addition)	1	01
	04	R9030	NRSA63J-102X	-----	MG RESISTOR	(Deletion)	1	01,02,03
	04	R9030	-----	NRSA63J-102X	MG RESISTOR	(Addition)	1	01
	04	R9033	NRSA63J-103X	-----	MG RESISTOR	(Deletion)	1	01,02,03
	04	R9033	-----	NRSA63J-103X	MG RESISTOR	(Addition)	1	01
	04	R9041	NRSA63J-102X	-----	MG RESISTOR	(Deletion)	1	01,02,03
	04	R9041	-----	NRSA63J-102X	MG RESISTOR	(Addition)	1	01
	04	R9042	NRSA63J-102X	-----	MG RESISTOR	(Deletion)	1	01,02,03
	04	R9042	-----	NRSA63J-102X	MG RESISTOR	(Addition)	1	01
	04	R9043	NRSA63J-102X	-----	MG RESISTOR	(Deletion)	1	01,02,03
	04	R9043	-----	NRSA63J-102X	MG RESISTOR	(Addition)	1	01
	04	R9044	NRSA63J-102X	-----	MG RESISTOR	(Deletion)	1	01,02,03
	04	R9044	-----	NRSA63J-102X	MG RESISTOR	(Addition)	1	01
	04	R9045	NRSA63J-102X	-----	MG RESISTOR	(Deletion)	1	01,02,03
	04	R9045	-----	NRSA63J-102X	MG RESISTOR	(Addition)	1	01
	04	R9049	NRSA63J-102X	-----	MG RESISTOR	(Deletion)	1	01,02,03
	04	R9049	-----	NRSA63J-102X	MG RESISTOR	(Addition)	1	01
	04	R9050	NRSA63J-102X	-----	MG RESISTOR	(Deletion)	1	01,02,03
	04	R9050	-----	NRSA63J-102X	MG RESISTOR	(Addition)	1	01
	04	R9051	NRSA63J-102X	-----	MG RESISTOR	(Deletion)	1	01,02,03
	04	R9051	-----	NRSA63J-102X	MG RESISTOR	(Addition)	1	01
	04	R9052	NRSA63J-102X	-----	MG RESISTOR	(Deletion)	1	01,02,03
	04	R9052	-----	NRSA63J-102X	MG RESISTOR	(Addition)	1	01
	04	R9053	NRSA63J-822X	-----	MG RESISTOR	(Deletion)	1	01,02,03
	04	R9053	-----	NRSA63J-822X	MG RESISTOR	(Addition)	1	01
	04	R9062	NRSA63J-103X	-----	MG RESISTOR	(Deletion)	1	01,02,03
	04	R9062	-----	NRSA63J-103X	MG RESISTOR	(Addition)	1	01
	04	R9063	NRSA63J-103X	-----	MG RESISTOR	(Deletion)	1	01,02,03
	04	R9063	-----	NRSA63J-103X	MG RESISTOR	(Addition)	1	01
	04	R9064	NRSA63J-222X	-----	MG RESISTOR	(Deletion)	1	01,02,03
	04	R9064	-----	NRSA63J-222X	MG RESISTOR	(Addition)	1	01
	04	R9065	NRSA63J-102X	-----	MG RESISTOR	(Deletion)	1	01,02,03
	04	R9065	-----	NRSA63J-102X	MG RESISTOR	(Addition)	1	01
	04	R9066	NRSA63J-472X	-----	MG RESISTOR	(Deletion)	1	01,02,03
	04	R9066	-----	NRSA63J-472X	MG RESISTOR	(Addition)	1	01
	04	R9067	NRSA63J-473X	-----	MG RESISTOR	(Deletion)	1	01,02,03
	04	R9067	-----	NRSA63J-473X	MG RESISTOR	(Addition)	1	01







△	Symbol	or	Part No.		Part Name	Description	Qty	Models
			<Rev.001>	<Rev.002>				
04	R9279		NRSA63J-101X	-----	MG RESISTOR	(Deletion)	1	01,02,03
04	R9279		-----	NRSA63J-101X	MG RESISTOR	(Addition)	1	01
04	R9280		NRSA63J-101X	-----	MG RESISTOR	(Deletion)	1	01,02,03
04	R9280		-----	NRSA63J-101X	MG RESISTOR	(Addition)	1	01
04	R9281		NRSA63J-101X	-----	MG RESISTOR	(Deletion)	1	01,02,03
04	R9281		-----	NRSA63J-101X	MG RESISTOR	(Addition)	1	01
04	R9282		NRSA63J-101X	-----	MG RESISTOR	(Deletion)	1	01,02,03
04	R9282		-----	NRSA63J-101X	MG RESISTOR	(Addition)	1	01
04	R9284		NRSA63J-101X	-----	MG RESISTOR	(Deletion)	1	01,02,03
04	R9284		-----	NRSA63J-101X	MG RESISTOR	(Addition)	1	01
04	R9292		NRSA63J-103X	-----	MG RESISTOR	(Deletion)	1	01,02,03
04	R9292		-----	NRSA63J-103X	MG RESISTOR	(Addition)	1	01
04	R9298		NRSA63J-103X	-----	MG RESISTOR	(Deletion)	1	01,02,03
04	R9298		-----	NRSA63J-103X	MG RESISTOR	(Addition)	1	01
04	R9299		NRSA63J-103X	-----	MG RESISTOR	(Deletion)	1	01,02,03
04	R9299		-----	NRSA63J-103X	MG RESISTOR	(Addition)	1	01
04	R9300		NRSA63J-103X	-----	MG RESISTOR	(Deletion)	1	01,02,03
04	R9300		-----	NRSA63J-103X	MG RESISTOR	(Addition)	1	01
04	R9301		NRSA63J-103X	-----	MG RESISTOR	(Deletion)	1	01,02,03
04	R9301		-----	NRSA63J-103X	MG RESISTOR	(Addition)	1	01
04	R9302		NRSA63J-103X	-----	MG RESISTOR	(Deletion)	1	01,02,03
04	R9302		-----	NRSA63J-103X	MG RESISTOR	(Addition)	1	01
04	R9306		NRSA63J-101X	-----	MG RESISTOR	(Deletion)	1	01,02,03
04	R9306		-----	NRSA63J-101X	MG RESISTOR	(Addition)	1	01
04	R9307		NRSA63J-103X	-----	MG RESISTOR	(Deletion)	1	01,02,03
04	R9307		-----	NRSA63J-103X	MG RESISTOR	(Addition)	1	01
04	R9308		NRSA63J-103X	-----	MG RESISTOR	(Deletion)	1	01,02,03
04	R9308		-----	NRSA63J-103X	MG RESISTOR	(Addition)	1	01
04	R9309		NRSA63J-101X	-----	MG RESISTOR	(Deletion)	1	01,02,03
04	R9309		-----	NRSA63J-101X	MG RESISTOR	(Addition)	1	01
04	R9310		NRSA63J-101X	-----	MG RESISTOR	(Deletion)	1	01,02,03
04	R9310		-----	NRSA63J-101X	MG RESISTOR	(Addition)	1	01
04	R9311		NRSA63J-101X	-----	MG RESISTOR	(Deletion)	1	01,02,03
04	R9311		-----	NRSA63J-101X	MG RESISTOR	(Addition)	1	01
04	R9316		NRSA63J-101X	-----	MG RESISTOR	(Deletion)	1	01,02,03
04	R9316		-----	NRSA63J-101X	MG RESISTOR	(Addition)	1	01
04	R9322		NRSA63J-0R0X	-----	MG RESISTOR	(Deletion)	1	01,02,03
04	R9322		-----	NRSA63J-0R0X	MG RESISTOR	(Addition)	1	01
04	R9401		NRSA63D-103X	-----	MG RESISTOR	(Deletion)	1	01,02,03
04	R9401		-----	NRSA63D-103X	MG RESISTOR	(Addition)	1	01
04	R9402		NRSA63D-103X	-----	MG RESISTOR	(Deletion)	1	01,02,03
04	R9402		-----	NRSA63D-103X	MG RESISTOR	(Addition)	1	01
04	R9403		NRSA63D-223X	-----	MG RESISTOR	(Deletion)	1	01,02,03
04	R9403		-----	NRSA63D-223X	MG RESISTOR	(Addition)	1	01
04	R9404		NRSA63J-390X	-----	MG RESISTOR	(Deletion)	1	01,02,03
04	R9404		-----	NRSA63J-390X	MG RESISTOR	(Addition)	1	01
04	R9405		NRSA63J-104X	-----	MG RESISTOR	(Deletion)	1	01,02,03
04	R9405		-----	NRSA63J-104X	MG RESISTOR	(Addition)	1	01
04	R9406		NRSA63D-183X	-----	MG RESISTOR	(Deletion)	1	01,02,03
04	R9406		-----	NRSA63D-183X	MG RESISTOR	(Addition)	1	01
04	R9407		NRSA63J-474X	-----	MG RESISTOR	(Deletion)	1	01,02,03
04	R9407		-----	NRSA63J-474X	MG RESISTOR	(Addition)	1	01
04	R9408		NRSA63J-474X	-----	MG RESISTOR	(Deletion)	1	01,02,03
04	R9408		-----	NRSA63J-474X	MG RESISTOR	(Addition)	1	01
04	R9409		NRSA63J-101X	-----	MG RESISTOR	(Deletion)	1	01,02,03
04	R9409		-----	NRSA63J-101X	MG RESISTOR	(Addition)	1	01
04	R9410		NRSA63J-103X	-----	MG RESISTOR	(Deletion)	1	01,02,03
04	R9410		-----	NRSA63J-103X	MG RESISTOR	(Addition)	1	01
04	R9411		NRSA63J-103X	-----	MG RESISTOR	(Deletion)	1	01,02,03
04	R9411		-----	NRSA63J-103X	MG RESISTOR	(Addition)	1	01
04	R9412		NRSA63J-390X	-----	MG RESISTOR	(Deletion)	1	01,02,03
04	R9412		-----	NRSA63J-390X	MG RESISTOR	(Addition)	1	01
04	R9413		NRSA63J-2R2X	-----	MG RESISTOR	(Deletion)	1	01,02,03
04	R9413		-----	NRSA63J-2R2X	MG RESISTOR	(Addition)	1	01
04	R9414		NRSA63J-2R2X	-----	MG RESISTOR	(Deletion)	1	01,02,03
04	R9414		-----	NRSA63J-2R2X	MG RESISTOR	(Addition)	1	01
04	R9415		NRSA63J-390X	-----	MG RESISTOR	(Deletion)	1	01,02,03
04	R9415		-----	NRSA63J-390X	MG RESISTOR	(Addition)	1	01

△	Symbol	or	Part No.		Part Name	Description	Qty	Models
			<Rev.001>	<Rev.002>				
	04	R9416	NRSA63D-473X	-----	MG RESISTOR	(Deletion)	1	01,02,03
	04	R9416	-----	NRSA63D-473X	MG RESISTOR	(Addition)	1	01
	04	R9417	NRSA63D-243X	-----	MG RESISTOR	(Deletion)	1	01,02,03
	04	R9417	-----	NRSA63D-243X	MG RESISTOR	(Addition)	1	01
	04	R9418	NRSA63J-103X	-----	MG RESISTOR	(Deletion)	1	01,02,03
	04	R9418	-----	NRSA63J-103X	MG RESISTOR	(Addition)	1	01
	04	R9452	NRSA63J-0R0X	-----	MG RESISTOR	(Deletion)	1	01,02,03
	04	R9452	-----	NRSA63J-0R0X	MG RESISTOR	(Addition)	1	01
	04	R9453	NRSA63J-0R0X	-----	MG RESISTOR	(Deletion)	1	01,02,03
	04	R9453	-----	NRSA63J-0R0X	MG RESISTOR	(Addition)	1	01
	04	R9461	NRSA63D-240X	-----	MG RESISTOR	(Deletion)	1	01,02,03
	04	R9461	-----	NRSA63D-240X	MG RESISTOR	(Addition)	1	01
	04	R9462	NRSA63D-221X	-----	MG RESISTOR	(Deletion)	1	01,02,03
	04	R9462	-----	NRSA63D-221X	MG RESISTOR	(Addition)	1	01
	04	R9463	NRSA63D-820X	-----	MG RESISTOR	(Deletion)	1	01,02,03
	04	R9463	-----	NRSA63D-820X	MG RESISTOR	(Addition)	1	01
	04	R9464	NRSA63D-470X	-----	MG RESISTOR	(Deletion)	1	01,02,03
	04	R9464	-----	NRSA63D-470X	MG RESISTOR	(Addition)	1	01
	04	R9465	NRSA63D-390X	-----	MG RESISTOR	(Deletion)	1	01,02,03
	04	R9465	-----	NRSA63D-390X	MG RESISTOR	(Addition)	1	01
	04	R9466	NRSA63D-430X	-----	MG RESISTOR	(Deletion)	1	01,02,03
	04	R9466	-----	NRSA63D-430X	MG RESISTOR	(Addition)	1	01
	04	R9467	NRSA63D-470X	-----	MG RESISTOR	(Deletion)	1	01,02,03
	04	R9467	-----	NRSA63D-470X	MG RESISTOR	(Addition)	1	01
	04	R9468	NRSA63D-680X	-----	MG RESISTOR	(Deletion)	1	01,02,03
	04	R9468	-----	NRSA63D-680X	MG RESISTOR	(Addition)	1	01
	04	R9469	NRSA63D-161X	-----	MG RESISTOR	(Deletion)	1	01,02,03
	04	R9469	-----	NRSA63D-161X	MG RESISTOR	(Addition)	1	01
	04	R9470	NRSA63D-201X	-----	MG RESISTOR	(Deletion)	1	01,02,03
	04	R9470	-----	NRSA63D-201X	MG RESISTOR	(Addition)	1	01
	04	R9471	NRSA63D-100X	-----	MG RESISTOR	(Deletion)	1	01,02,03
	04	R9471	-----	NRSA63D-100X	MG RESISTOR	(Addition)	1	01
	04	R9472	NRSA63D-100X	-----	MG RESISTOR	(Deletion)	1	01,02,03
	04	R9472	-----	NRSA63D-100X	MG RESISTOR	(Addition)	1	01
	04	R9501	NRSA63J-205X	-----	MG RESISTOR	(Deletion)	1	01,02,03
	04	R9501	-----	NRSA63J-205X	MG RESISTOR	(Addition)	1	01
	04	R9502	NRSA63J-134X	-----	MG RESISTOR	(Deletion)	1	01,02,03
	04	R9502	-----	NRSA63J-134X	MG RESISTOR	(Addition)	1	01
	04	R9503	NRSA63J-2R0X	-----	MG RESISTOR	(Deletion)	1	01,02,03
	04	R9503	-----	NRSA63J-2R0X	MG RESISTOR	(Addition)	1	01
	04	R9504	NRSA63J-2R0X	-----	MG RESISTOR	(Deletion)	1	01,02,03
	04	R9504	-----	NRSA63J-2R0X	MG RESISTOR	(Addition)	1	01
	04	R9505	NRSA63D-392X	-----	MG RESISTOR	(Deletion)	1	01,02,03
	04	R9505	-----	NRSA63D-392X	MG RESISTOR	(Addition)	1	01
	04	R9506	NRSA63D-393X	-----	MG RESISTOR	(Deletion)	1	01,02,03
	04	R9506	-----	NRSA63D-393X	MG RESISTOR	(Addition)	1	01
	04	R9507	NRSA63J-0R0X	-----	MG RESISTOR	(Deletion)	1	01,02,03
	04	R9507	-----	NRSA63J-0R0X	MG RESISTOR	(Addition)	1	01
	04	R9511	NRSA63J-222X	-----	MG RESISTOR	(Deletion)	1	01,02,03
	04	R9511	-----	NRSA63J-222X	MG RESISTOR	(Addition)	1	01
	04	R9512	NRSA63J-222X	-----	MG RESISTOR	(Deletion)	1	01,02,03
	04	R9512	-----	NRSA63J-222X	MG RESISTOR	(Addition)	1	01
	04	R9513	NRSA63J-102X	-----	MG RESISTOR	(Deletion)	1	01,02,03
	04	R9513	-----	NRSA63J-102X	MG RESISTOR	(Addition)	1	01
	04	R9514	NRSA63J-1R0X	-----	MG RESISTOR	(Deletion)	1	01,02,03
	04	R9514	-----	NRSA63J-1R0X	MG RESISTOR	(Addition)	1	01
	04	R9515	NRSA63J-1R0X	-----	MG RESISTOR	(Deletion)	1	01,02,03
	04	R9515	-----	NRSA63J-1R0X	MG RESISTOR	(Addition)	1	01
	04	R9516	NRSA63J-102X	-----	MG RESISTOR	(Deletion)	1	01,02,03
	04	R9516	-----	NRSA63J-102X	MG RESISTOR	(Addition)	1	01
	04	R9601	NRSA02J-682X	-----	MG RESISTOR	(Deletion)	1	01,02,03
	04	R9601	-----	NRSA02J-682X	MG RESISTOR	(Addition)	1	01
	04	R9602	NRSA02J-222X	-----	MG RESISTOR	(Deletion)	1	01,02,03
	04	R9602	-----	NRSA02J-222X	MG RESISTOR	(Addition)	1	01
	04	R9603	NRSA02J-332X	-----	MG RESISTOR	(Deletion)	1	01,02,03
	04	R9603	-----	NRSA02J-332X	MG RESISTOR	(Addition)	1	01
	04	R9701	NRSA63J-101X	-----	MG RESISTOR	(Deletion)	1	01,02,03
	04	R9701	-----	NRSA63J-101X	MG RESISTOR	(Addition)	1	01

△	Symbol	or	Part No.		Part Name	Description	Qty	Models
			<Rev.001>	<Rev.002>				
04	R9702		NRSA63J-101X	-----	MG RESISTOR	(Deletion)	1	01,02,03
04	R9702		-----	NRSA63J-101X	MG RESISTOR	(Addition)	1	01
04	R9703		NRSA63J-101X	-----	MG RESISTOR	(Deletion)	1	01,02,03
04	R9703		-----	NRSA63J-101X	MG RESISTOR	(Addition)	1	01
04	R9704		NRSA63J-224X	-----	MG RESISTOR	(Deletion)	1	01,02,03
04	R9704		-----	NRSA63J-224X	MG RESISTOR	(Addition)	1	01
04	R9706		NRSA63J-224X	-----	MG RESISTOR	(Deletion)	1	01,02,03
04	R9706		-----	NRSA63J-224X	MG RESISTOR	(Addition)	1	01
04	R9710		NRSA63J-224X	-----	MG RESISTOR	(Deletion)	1	01,02,03
04	R9710		-----	NRSA63J-224X	MG RESISTOR	(Addition)	1	01
04	R9712		NRSA63J-103X	-----	MG RESISTOR	(Deletion)	1	01,02,03
04	R9712		-----	NRSA63J-103X	MG RESISTOR	(Addition)	1	01
04	R9713		NRSA63J-103X	-----	MG RESISTOR	(Deletion)	1	01,02,03
04	R9713		-----	NRSA63J-103X	MG RESISTOR	(Addition)	1	01
04	R9714		NRSA63J-222X	-----	MG RESISTOR	(Deletion)	1	01,02,03
04	R9714		-----	NRSA63J-222X	MG RESISTOR	(Addition)	1	01
04	R9715		NRSA63J-103X	-----	MG RESISTOR	(Deletion)	1	01,02,03
04	R9715		-----	NRSA63J-103X	MG RESISTOR	(Addition)	1	01
04	R9716		NRSA63J-750X	-----	MG RESISTOR	(Deletion)	1	01,02,03
04	R9716		-----	NRSA63J-750X	MG RESISTOR	(Addition)	1	01
04	R9717		NRSA63J-222X	-----	MG RESISTOR	(Deletion)	1	01,02,03
04	R9717		-----	NRSA63J-222X	MG RESISTOR	(Addition)	1	01
04	R9718		NRSA63J-222X	-----	MG RESISTOR	(Deletion)	1	01,02,03
04	R9718		-----	NRSA63J-222X	MG RESISTOR	(Addition)	1	01
04	R9719		NRSA63J-103X	-----	MG RESISTOR	(Deletion)	1	01,02,03
04	R9719		-----	NRSA63J-103X	MG RESISTOR	(Addition)	1	01
04	R9720		NRSA63J-750X	-----	MG RESISTOR	(Deletion)	1	01,02,03
04	R9720		-----	NRSA63J-750X	MG RESISTOR	(Addition)	1	01
04	R9721		NRSA63J-222X	-----	MG RESISTOR	(Deletion)	1	01,02,03
04	R9721		-----	NRSA63J-222X	MG RESISTOR	(Addition)	1	01
04	R9723		NRSA63J-0R0X	-----	MG RESISTOR	(Deletion)	1	01,02,03
04	R9723		-----	NRSA63J-0R0X	MG RESISTOR	(Addition)	1	01
04	R9731		NRSA63J-103X	-----	MG RESISTOR	(Deletion)	1	01,02,03
04	R9731		-----	NRSA63J-103X	MG RESISTOR	(Addition)	1	01
04	R9732		NRSA63J-103X	-----	MG RESISTOR	(Deletion)	1	01,02,03
04	R9732		-----	NRSA63J-103X	MG RESISTOR	(Addition)	1	01
04	R9733		NRSA63J-223X	-----	MG RESISTOR	(Deletion)	1	01,02,03
04	R9733		-----	NRSA63J-223X	MG RESISTOR	(Addition)	1	01
04	R9734		NRSA63J-223X	-----	MG RESISTOR	(Deletion)	1	01,02,03
04	R9734		-----	NRSA63J-223X	MG RESISTOR	(Addition)	1	01
04	R9735		NRSA63J-303X	-----	MG RESISTOR	(Deletion)	1	01,02,03
04	R9735		-----	NRSA63J-303X	MG RESISTOR	(Addition)	1	01
04	R9736		NRSA63J-303X	-----	MG RESISTOR	(Deletion)	1	01,02,03
04	R9736		-----	NRSA63J-303X	MG RESISTOR	(Addition)	1	01
04	R9737		NRSA63J-104X	-----	MG RESISTOR	(Deletion)	1	01,02,03
04	R9737		-----	NRSA63J-104X	MG RESISTOR	(Addition)	1	01
04	R9743		NRSA63J-303X	-----	MG RESISTOR	(Deletion)	1	01,02,03
04	R9743		-----	NRSA63J-303X	MG RESISTOR	(Addition)	1	01
04	R9744		NRSA63J-303X	-----	MG RESISTOR	(Deletion)	1	01,02,03
04	R9744		-----	NRSA63J-303X	MG RESISTOR	(Addition)	1	01
04	R9745		NRSA63J-223X	-----	MG RESISTOR	(Deletion)	1	01,02,03
04	R9745		-----	NRSA63J-223X	MG RESISTOR	(Addition)	1	01
04	R9746		NRSA63J-223X	-----	MG RESISTOR	(Deletion)	1	01,02,03
04	R9746		-----	NRSA63J-223X	MG RESISTOR	(Addition)	1	01
04	R9753		NRSA63J-103X	-----	MG RESISTOR	(Deletion)	1	01,02,03
04	R9753		-----	NRSA63J-103X	MG RESISTOR	(Addition)	1	01
04	R9754		NRSA63J-103X	-----	MG RESISTOR	(Deletion)	1	01,02,03
04	R9754		-----	NRSA63J-103X	MG RESISTOR	(Addition)	1	01
04	R9811		NRSA63J-331X	-----	MG RESISTOR	(Deletion)	1	01,02,03
04	R9811		-----	NRSA63J-331X	MG RESISTOR	(Addition)	1	01
04	R9812		NRSA63J-331X	-----	MG RESISTOR	(Deletion)	1	01,02,03
04	R9812		-----	NRSA63J-331X	MG RESISTOR	(Addition)	1	01
04	R9813		NRSA63J-331X	-----	MG RESISTOR	(Deletion)	1	01,02,03
04	R9813		-----	NRSA63J-331X	MG RESISTOR	(Addition)	1	01
04	R9814		NRSA63J-331X	-----	MG RESISTOR	(Deletion)	1	01,02,03
04	R9814		-----	NRSA63J-331X	MG RESISTOR	(Addition)	1	01
04	R9818		NRSA63J-0R0X	-----	MG RESISTOR	(Deletion)	1	01,02,03
04	R9818		-----	NRSA63J-0R0X	MG RESISTOR	(Addition)	1	01

△	Symbol	or	Part No.		Part Name	Description	Qty	Models
			<Rev.001>	<Rev.002>				
	04	R9819	NRSA63J-0R0X	-----	MG RESISTOR	(Deletion)	1	01,02,03
	04	R9819	-----	NRSA63J-0R0X	MG RESISTOR	(Addition)	1	01
	04	R9820	NRSA63J-0R0X	-----	MG RESISTOR	(Deletion)	1	01,02,03
	04	R9820	-----	NRSA63J-0R0X	MG RESISTOR	(Addition)	1	01
	04	R9831	NRSA63J-104X	-----	MG RESISTOR	(Deletion)	1	01,02,03
	04	R9831	-----	NRSA63J-104X	MG RESISTOR	(Addition)	1	01
	04	R9832	NRSA63J-104X	-----	MG RESISTOR	(Deletion)	1	01,02,03
	04	R9832	-----	NRSA63J-104X	MG RESISTOR	(Addition)	1	01
	04	R9833	NRSA63J-243X	-----	MG RESISTOR	(Deletion)	1	01,02,03
	04	R9833	-----	NRSA63J-243X	MG RESISTOR	(Addition)	1	01
	04	R9835	NRSA63J-243X	-----	MG RESISTOR	(Deletion)	1	01,02,03
	04	R9835	-----	NRSA63J-243X	MG RESISTOR	(Addition)	1	01
	04	R9837	NRSA63J-223X	-----	MG RESISTOR	(Deletion)	1	01,02,03
	04	R9837	-----	NRSA63J-223X	MG RESISTOR	(Addition)	1	01
	04	R9839	NRSA63J-223X	-----	MG RESISTOR	(Deletion)	1	01,02,03
	04	R9839	-----	NRSA63J-223X	MG RESISTOR	(Addition)	1	01
	04	R9852	NRSA63J-684X	-----	MG RESISTOR	(Deletion)	1	01,02,03
	04	R9852	-----	NRSA63J-684X	MG RESISTOR	(Addition)	1	01
	04	R9853	NRSA63J-302X	-----	MG RESISTOR	(Deletion)	1	01,02,03
	04	R9853	-----	NRSA63J-302X	MG RESISTOR	(Addition)	1	01
	04	R9854	NRSA63J-103X	-----	MG RESISTOR	(Deletion)	1	01,02,03
	04	R9854	-----	NRSA63J-103X	MG RESISTOR	(Addition)	1	01
	04	R9855	NRSA63J-333X	-----	MG RESISTOR	(Deletion)	1	01,02,03
	04	R9855	-----	NRSA63J-333X	MG RESISTOR	(Addition)	1	01
	04	R9856	NRSA63J-302X	-----	MG RESISTOR	(Deletion)	1	01,02,03
	04	R9856	-----	NRSA63J-302X	MG RESISTOR	(Addition)	1	01
	04	R9857	NRSA63J-103X	-----	MG RESISTOR	(Deletion)	1	01,02,03
	04	R9857	-----	NRSA63J-103X	MG RESISTOR	(Addition)	1	01
	04	R9859	NRSA63J-103X	-----	MG RESISTOR	(Deletion)	1	01,02,03
	04	R9859	-----	NRSA63J-103X	MG RESISTOR	(Addition)	1	01
	04	R9861	NRSA63J-224X	-----	MG RESISTOR	(Deletion)	1	01,02,03
	04	R9861	-----	NRSA63J-224X	MG RESISTOR	(Addition)	1	01
	04	R9862	NRSA63J-224X	-----	MG RESISTOR	(Deletion)	1	01,02,03
	04	R9862	-----	NRSA63J-224X	MG RESISTOR	(Addition)	1	01
	04	R9863	NRSA63J-101X	-----	MG RESISTOR	(Deletion)	1	01,02,03
	04	R9863	-----	NRSA63J-101X	MG RESISTOR	(Addition)	1	01
	04	R9864	NRSA63J-101X	-----	MG RESISTOR	(Deletion)	1	01,02,03
	04	R9864	-----	NRSA63J-101X	MG RESISTOR	(Addition)	1	01
	04	R9871	NRSA63J-0R0X	-----	MG RESISTOR	(Deletion)	1	01,02,03
	04	R9871	-----	NRSA63J-0R0X	MG RESISTOR	(Addition)	1	01
	04	R9874	NRSA63J-101X	-----	MG RESISTOR	(Deletion)	1	01,02,03
	04	R9874	-----	NRSA63J-101X	MG RESISTOR	(Addition)	1	01
	04	R9875	NRSA63J-101X	-----	MG RESISTOR	(Deletion)	1	01,02,03
	04	R9875	-----	NRSA63J-101X	MG RESISTOR	(Addition)	1	01
	04	R9876	NRSA02J-0R0X	-----	MG RESISTOR	(Deletion)	1	01,02,03
	04	R9876	-----	NRSA02J-0R0X	MG RESISTOR	(Addition)	1	01
	04	R9931	NRSA63D-133X	-----	MG RESISTOR	(Deletion)	1	01,02,03
	04	R9931	-----	NRSA63D-133X	MG RESISTOR	(Addition)	1	01
	04	R9932	NRSA63D-222X	-----	MG RESISTOR	(Deletion)	1	01,02,03
	04	R9932	-----	NRSA63D-222X	MG RESISTOR	(Addition)	1	01
	04	L8501	NQR0536-001X	-----	CHOKE COIL	(Deletion)	1	01,02,03
	04	L8501	-----	NQR0536-001X	CHOKE COIL	(Addition)	1	01
	04	L9001	NQL79GM-100X	-----	COIL	(Deletion)	1	01,02,03
	04	L9001	-----	NQL79GM-100X	COIL	(Addition)	1	01
	04	L9201	NQL79GM-100X	-----	COIL	(Deletion)	1	01,02,03
	04	L9201	-----	NQL79GM-100X	COIL	(Addition)	1	01
	04	L9401	NQL79GM-100X	-----	COIL	(Deletion)	1	01,02,03
	04	L9401	-----	NQL79GM-100X	COIL	(Addition)	1	01
	04	L9402	NQL79GM-100X	-----	COIL	(Deletion)	1	01,02,03
	04	L9402	-----	NQL79GM-100X	COIL	(Addition)	1	01
	04	L9501	NQLZ007-101X	-----	CHOKE COIL	(Deletion)	1	01,02,03
	04	L9501	-----	NQLZ007-101X	CHOKE COIL	(Addition)	1	01
	04	L9502	NQL52EM-100X	-----	COIL	(Deletion)	1	01,02,03
	04	L9502	-----	NQL52EM-100X	COIL	(Addition)	1	01
	04	L9801	NQL79GM-100X	-----	COIL	(Deletion)	1	01,02,03
	04	L9801	-----	NQL79GM-100X	COIL	(Addition)	1	01
	04	L9851	NRSA02J-0R0X	-----	MG RESISTOR	(Deletion)	1	01,02,03
	04	L9851	-----	NRSA02J-0R0X	MG RESISTOR	(Addition)	1	01

△	Symbol	or	Part No.		Part Name	Description	Qty	Models
			<Rev.001>	<Rev.002>				
	04	L9861	NQL79GM-470X	-----	COIL	(Deletion)	1	01,02,03
	04	L9861	-----	NQL79GM-470X	COIL	(Addition)	1	01
	04	L9871	NQL79GM-470X	-----	COIL	(Deletion)	1	01,02,03
	04	L9871	-----	NQL79GM-470X	COIL	(Addition)	1	01
	04	L9911	NQL79GM-1R0X	-----	COIL	(Deletion)	1	01,02,03
	04	L9911	-----	NQL79GM-1R0X	COIL	(Addition)	1	01
	04	CN801	QGB0525L1-14X	-----	CONNECTOR	(Deletion)	1	01,02,03
	04	CN801	-----	QGB0525L1-14X	CONNECTOR	(Addition)	1	01
	04	CN802	QGF0536C2-10W	-----	CONNECTOR	(Deletion)	1	01,02,03
	04	CN802	-----	QGF0536C2-10W	CONNECTOR	(Addition)	1	01
	04	CN841	QGB0525M1-14X	-----	CONNECTOR	(Deletion)	1	01,02,03
	04	CN841	-----	QGB0525M1-14X	CONNECTOR	(Addition)	1	01
	04	CN851	QGF0536C2-07W	-----	CONNECTOR	(Deletion)	1	01,02,03
	04	CN851	-----	QGF0536C2-07W	CONNECTOR	(Addition)	1	01
	04	CN861	QGF0536C2-06W	-----	CONNECTOR	(Deletion)	1	01,02,03
	04	CN861	-----	QGF0536C2-06W	CONNECTOR	(Addition)	1	01
	04	CN901	QGF0534F3-40X	-----	CONNECTOR	(Deletion)	1	01,02,03
	04	CN901	-----	QGF0534F3-40X	CONNECTOR	(Addition)	1	01
	04	CN902	QGF0534F3-10X	-----	CONNECTOR	(Deletion)	1	01,02,03
	04	CN902	-----	QGF0534F3-10X	CONNECTOR	(Addition)	1	01
	04	CN911	QGF1039F2-04X	-----	CONNECTOR	(Deletion)	1	01,02,03
	04	CN911	-----	QGF1039F2-04X	CONNECTOR	(Addition)	1	01
	04	CN921	QGB0812L2-30X	-----	CONNECTOR	(Deletion)	1	01,02,03
	04	CN921	-----	QGB0812L2-30X	CONNECTOR	(Addition)	1	01
	04	CN941	QGF0534F2-60X	-----	CONNECTOR	(Deletion)	1	01,02,03
	04	CN941	-----	QGF0534F2-60X	CONNECTOR	(Addition)	1	01
	04	CN951	QGF0568F1-10W	-----	CONNECTOR	(Deletion)	1	01,02,03
	04	CN951	-----	QGF0568F1-10W	CONNECTOR	(Addition)	1	01
	04	CN971	QGF0534F3-06X	-----	CONNECTOR	(Deletion)	1	01,02,03
	04	CN971	-----	QGF0534F3-06X	CONNECTOR	(Addition)	1	01
	04	EP851	NNZ0129-001X	-----	EARTH TERMINAL	(Deletion)	1	01,02,03
	04	EP851	-----	NNZ0129-001X	EARTH TERMINAL	(Addition)	1	01
	04	EP861	NNZ0129-001X	-----	EARTH TERMINAL	(Deletion)	1	01,02,03
	04	EP861	-----	NNZ0129-001X	EARTH TERMINAL	(Addition)	1	01
	04	EP991	NNZ0129-001X	-----	EARTH TERMINAL	(Deletion)	1	01,02,03
	04	EP991	-----	NNZ0129-001X	EARTH TERMINAL	(Addition)	1	01
	04	EP992	NNZ0129-001X	-----	EARTH TERMINAL	(Deletion)	1	01,02,03
	04	EP992	-----	NNZ0129-001X	EARTH TERMINAL	(Addition)	1	01
	04	EP993	NNZ0129-001X	-----	EARTH TERMINAL	(Deletion)	1	01,02,03
	04	EP993	-----	NNZ0129-001X	EARTH TERMINAL	(Addition)	1	01
	04	EP994	NNZ0129-001X	-----	EARTH TERMINAL	(Deletion)	1	01,02,03
	04	EP994	-----	NNZ0129-001X	EARTH TERMINAL	(Addition)	1	01
	04	EP995	NNZ0129-001X	-----	EARTH TERMINAL	(Deletion)	1	01,02,03
	04	EP995	-----	NNZ0129-001X	EARTH TERMINAL	(Addition)	1	01
△	04	F9001	NMFZ018-R75X-E	-----	FUSE	(Deletion)	1	01,02,03
△	04	F9001	-----	NMFZ018-R75X-E	FUSE	(Addition)	1	01
△	04	F9801	NMFZ018-R75X-E	-----	FUSE	(Deletion)	1	01,02,03
△	04	F9801	-----	NMFZ018-R75X-E	FUSE	(Addition)	1	01
	04	J8501	QNZ1007-001	-----	USB JACK	(Deletion)	1	01,02,03
	04	J8501	-----	QNZ1007-001	USB JACK	(Addition)	1	01
	04	J8601	QNS0288-002	-----	AUX JACK	(Deletion)	1	01,02,03
	04	J8601	-----	QNS0288-002	AUX JACK	(Addition)	1	01
	04	K8501	NRSA63J-0R0X	-----	MG RESISTOR	(Deletion)	1	01,02,03
	04	K8501	-----	NRSA63J-0R0X	MG RESISTOR	(Addition)	1	01
	04	K8502	NRSA63J-0R0X	-----	MG RESISTOR	(Deletion)	1	01,02,03
	04	K8502	-----	NRSA63J-0R0X	MG RESISTOR	(Addition)	1	01
	04	K8503	NRSA63J-0R0X	-----	MG RESISTOR	(Deletion)	1	01,02,03
	04	K8503	-----	NRSA63J-0R0X	MG RESISTOR	(Addition)	1	01
	04	K8504	NRSA63J-0R0X	-----	MG RESISTOR	(Deletion)	1	01,02,03
	04	K8504	-----	NRSA63J-0R0X	MG RESISTOR	(Addition)	1	01
	04	K8505	NRSA63J-0R0X	-----	MG RESISTOR	(Deletion)	1	01,02,03
	04	K8505	-----	NRSA63J-0R0X	MG RESISTOR	(Addition)	1	01
	04	K8601	NRSA63J-0R0X	-----	MG RESISTOR	(Deletion)	1	01,02,03
	04	K8601	-----	NRSA63J-0R0X	MG RESISTOR	(Addition)	1	01
	04	K8602	NRSA63J-0R0X	-----	MG RESISTOR	(Deletion)	1	01,02,03
	04	K8602	-----	NRSA63J-0R0X	MG RESISTOR	(Addition)	1	01
	04	K8603	NRSA63J-0R0X	-----	MG RESISTOR	(Deletion)	1	01,02,03
	04	K8603	-----	NRSA63J-0R0X	MG RESISTOR	(Addition)	1	01

△	Symbol	or	Part No.		Part Name	Description	Qty	Models
			<Rev.001>	<Rev.002>				
	04 K8604		NRSA63J-0R0X	-----	MG RESISTOR	(Deletion)	1	01,02,03
	04 K8604		-----	NRSA63J-0R0X	MG RESISTOR	(Addition)	1	01
	04 TH901		NAD0028-103X	-----	N THERMISTOR	(Deletion)	1	01,02,03
	04 TH901		-----	NAD0028-103X	N THERMISTOR	(Addition)	1	01
	04 VA851		NAF0020-001X	-----	VARISTOR	(Deletion)	1	01,02,03
	04 VA851		-----	NAF0020-001X	VARISTOR	(Addition)	1	01
	04 VA852		NAF0019-001X	-----	VARISTOR	(Deletion)	1	01,02,03
	04 VA852		-----	NAF0019-001X	VARISTOR	(Addition)	1	01
	04 VA853		NAF0019-001X	-----	VARISTOR	(Deletion)	1	01,02,03
	04 VA853		-----	NAF0019-001X	VARISTOR	(Addition)	1	01
	04 X9001		NAX0872-001X	-----	CRYSTAL	(Deletion)	1	01,02,03
	04 X9001		-----	NAX0872-001X	CRYSTAL	(Addition)	1	01

### FMU-XD3-21D Front end board [05]

△	Symbol	or	Part No.		Part Name	Description	Qty	Models
			<Rev.001>	<Rev.002>				
	05 IC398		JVM4401	EN29LV320AT70TP	IC		1	01,02

### Main board common [06]

△	Symbol	or	Part No.		Part Name	Description	Qty	Models
			<Rev.001>	<Rev.002>				
	06 IC201		-----	JVM4224	IC(MCU)	(Addition)	1	01,02
	06 IC202		-----	S-80828CNNB-G-W	IC	(Addition)	1	01,02
	06 IC203		-----	M24C32-RMN6-X	IC(EEPROM)	(Addition)	1	01,02
	06 IC204		-----	NJM2871BF33-X	IC	(Addition)	1	01,02
	06 IC205		-----	TC74LVX4053FT-X	IC(DIGITAL)	(Addition)	1	02
	06 IC211		-----	TEF6606T/V3-X	IC1	(Addition)	1	01,02
	06 IC212		-----	LC72725KM-X	IC	(Addition)	1	02
	06 IC221		-----	TEF6606T/V3-X	IC1	(Addition)	1	02
	06 IC222		-----	LC72725KM-X	IC	(Addition)	1	02
	06 IC231		-----	TC74HCT4053AFTX	IC	(Addition)	1	01
	06 IC232		-----	TDA7416	IC	(Addition)	1	01,02
	06 IC233		-----	TB2926CHQ	IC	(Addition)	1	01,02
	06 IC241		-----	BA00CCOWFP-X	IC	(Addition)	1	01,02
	06 IC242		-----	NJM2871BF33-X	IC	(Addition)	1	01,02
	06 IC251		-----	RSQ030P03-W	MOS FET	(Addition)	1	01,02
	06 IC261		-----	NJM2871BF05-X	IC	(Addition)	1	02
	06 IC291		-----	R2S25400DS-E	IC	(Addition)	1	01,02
	06 IC484		-----	NAL0066-001X	GYRO SENSOR	(Addition)	1	02
	06 Q2001		-----	RT1N441C-X	TRANSISTOR	(Addition)	1	01,02
	06 Q2001	or	-----	UN2213-X	DIGI TRANSISTOR	(Addition)	1	01,02
	06 Q2201		-----	3SK195-W	TRANSISTOR	(Addition)	1	02
	06 Q2301		-----	RT1N141C-X	DIGI TRANSISTOR	(Addition)	1	01,02
	06 Q2302		-----	2SC1623A/5-6/-X	TRANSISTOR	(Addition)	1	01,02
	06 Q2303		-----	2SD2114K/VW/-X	TRANSISTOR	(Addition)	1	01,02
	06 Q2304		-----	2SD2114K/VW/-X	TRANSISTOR	(Addition)	1	01,02
	06 Q2305		-----	2SD2114K/VW/-X	TRANSISTOR	(Addition)	1	01,02
	06 Q2306		-----	2SD2114K/VW/-X	TRANSISTOR	(Addition)	1	01,02
	06 Q2307		-----	2SD2114K/VW/-X	TRANSISTOR	(Addition)	1	01,02
	06 Q2308		-----	RT1N441C-X	TRANSISTOR	(Addition)	1	01,02
	06 Q2501		-----	RT1N441C-X	TRANSISTOR	(Addition)	1	01,02
	06 Q2501	or	-----	UN2213-X	DIGI TRANSISTOR	(Addition)	1	01,02
	06 Q2502		-----	RT1N141C-X	DIGI TRANSISTOR	(Addition)	1	01,02
	06 Q2503		-----	RT1P141C-X	DIGI TRANSISTOR	(Addition)	1	01,02
	06 Q2504		-----	RT1N141C-X	DIGI TRANSISTOR	(Addition)	1	01,02
	06 Q2505		-----	RT1N441C-X	TRANSISTOR	(Addition)	1	01,02
	06 Q2505	or	-----	UN2213-X	DIGI TRANSISTOR	(Addition)	1	01,02
	06 Q2506		-----	RT1N441C-X	TRANSISTOR	(Addition)	1	01,02
	06 Q2506	or	-----	UN2213-X	DIGI TRANSISTOR	(Addition)	1	01,02
	06 Q2507		-----	2SA812A/5-6/-X	TRANSISTOR	(Addition)	1	01,02
	06 Q2508		-----	2SA812A/5-6/-X	TRANSISTOR	(Addition)	1	01,02
	06 Q2509		-----	2SA812A/5-6/-X	TRANSISTOR	(Addition)	1	01,02
	06 Q2510		-----	2SC1623A/5-6/-X	TRANSISTOR	(Addition)	1	01,02
	06 Q2511		-----	RT1N141C-X	DIGI TRANSISTOR	(Addition)	1	01,02
	06 Q2512		-----	RT1N141C-X	DIGI TRANSISTOR	(Addition)	1	01,02
	06 Q2513		-----	RT1N141C-X	DIGI TRANSISTOR	(Addition)	1	01,02
	06 Q2514		-----	RT1N141C-X	DIGI TRANSISTOR	(Addition)	1	01,02



△	Symbol	or	Part No.		Part Name	Description	Qty	Models
			<Rev.001>	<Rev.002>				
06	Q2515		-----	2SA812A/5-6/-X	TRANSISTOR	(Addition)	1	01,02
06	Q2516		-----	RT1N141C-X	DIGI TRANSISTOR	(Addition)	1	01,02
06	Q2901		-----	RT1N141C-X	DIGI TRANSISTOR	(Addition)	1	01,02
06	Q2902		-----	RT1P141C-X	DIGI TRANSISTOR	(Addition)	1	01,02
06	Q2903		-----	RT1N141C-X	DIGI TRANSISTOR	(Addition)	1	01
06	Q2904		-----	RT1P141C-X	DIGI TRANSISTOR	(Addition)	1	01
06	Q2905		-----	2SA812A/5-6/-X	TRANSISTOR	(Addition)	1	01,02
06	D2103		-----	MA111-X	SI DIODE	(Addition)	1	01,02
06	D2201		-----	MA111-X	SI DIODE	(Addition)	1	01,02
06	D2202		-----	MA111-X	SI DIODE	(Addition)	1	01,02
06	D2301		-----	MC2836-X	DIODE	(Addition)	1	01,02
06	D2302		-----	MC2836-X	DIODE	(Addition)	1	01,02
06	D2401		-----	MA8062/M/-X	Z DIODE	(Addition)	1	01,02
06	D2402		-----	MA8062/M/-X	Z DIODE	(Addition)	1	01,02
06	D2501		-----	MA22D39-X	SB DIODE	(Addition)	1	01,02
06	D2503		-----	MA8110/L/-X	Z DIODE	(Addition)	1	01,02
06	D2504		-----	MA111-X	SI DIODE	(Addition)	1	01,02
06	D2505		-----	MC2836-X	DIODE	(Addition)	1	01,02
06	D2506		-----	MA111-X	SI DIODE	(Addition)	1	01,02
06	D2507		-----	MA111-X	SI DIODE	(Addition)	1	01,02
06	D2801		-----	MA111-X	SI DIODE	(Addition)	1	01,02
06	D2802		-----	MA22D39-X	SB DIODE	(Addition)	1	01,02
06	D2901		-----	1N5401-04	SI DIODE	(Addition)	1	01,02
06	D2902		-----	MA22D39-X	SB DIODE	(Addition)	1	01
06	D2903		-----	MA22D39-X	SB DIODE	(Addition)	1	01
06	D2904		-----	MA22D39-X	SB DIODE	(Addition)	1	01,02
06	D2905		-----	MA22D39-X	SB DIODE	(Addition)	1	01,02
06	C2001		-----	NCB31CK-104X	C CAPACITOR	(Addition)	1	01,02
06	C2002		-----	NCB31HK-103X	C CAPACITOR	(Addition)	1	01,02
06	C2003		-----	NCB31CK-104X	C CAPACITOR	(Addition)	1	01,02
06	C2101		-----	NDC31HJ-150X	C CAPACITOR	(Addition)	1	01,02
06	C2102		-----	NDC31HJ-220X	C CAPACITOR	(Addition)	1	01,02
06	C2103		-----	NCB31HK-104X	C CAPACITOR	(Addition)	1	02
06	C2103		-----	NCB31HK-102X	C CAPACITOR	(Addition)	1	01
06	C2104		-----	NDC31HJ-7R0X	C CAPACITOR	(Addition)	1	01,02
06	C2105		-----	NDC31HJ-6R0X	C CAPACITOR	(Addition)	1	01,02
06	C2106		-----	NDC31HJ-2R0X	C CAPACITOR	(Addition)	1	01,02
06	C2107		-----	NCB31HK-104X	C CAPACITOR	(Addition)	1	01,02
06	C2108		-----	NCB31CK-224X	C CAPACITOR	(Addition)	1	01,02
06	C2109		-----	NCB31CK-105X	C CAPACITOR	(Addition)	1	01,02
06	C2110		-----	NCB31HK-103X	C CAPACITOR	(Addition)	1	01,02
06	C2111		-----	NCB31HK-103X	C CAPACITOR	(Addition)	1	01,02
06	C2112		-----	NCB31HK-104X	C CAPACITOR	(Addition)	1	01,02
06	C2113		-----	NCB31HK-103X	C CAPACITOR	(Addition)	1	01,02
06	C2114		-----	NCB31HK-103X	C CAPACITOR	(Addition)	1	01,02
06	C2115		-----	NCB31HK-104X	C CAPACITOR	(Addition)	1	01,02
06	C2116		-----	NCB31CK-105X	C CAPACITOR	(Addition)	1	01,02
06	C2117		-----	NCB31HK-104X	C CAPACITOR	(Addition)	1	01,02
06	C2118		-----	QETN1HM-106Z	E CAPACITOR	(Addition)	1	01,02
06	C2119		-----	NCB31CK-224X	C CAPACITOR	(Addition)	1	01,02
06	C2120		-----	NCB31CK-105X	C CAPACITOR	(Addition)	1	01,02
06	C2121		-----	NCB31CK-105X	C CAPACITOR	(Addition)	1	01,02
06	C2122		-----	NCB31CK-224X	C CAPACITOR	(Addition)	1	01,02
06	C2123		-----	NCB31HK-104X	C CAPACITOR	(Addition)	1	01,02
06	C2124		-----	NDC31HJ-150X	C CAPACITOR	(Addition)	1	01,02
06	C2125		-----	NCB31CK-224X	C CAPACITOR	(Addition)	1	02
06	C2126		-----	NDC31HJ-561X	C CAPACITOR	(Addition)	1	02
06	C2127		-----	NCB31HK-103X	C CAPACITOR	(Addition)	1	02
06	C2128		-----	NCJ11EK-106X-A	C CAPACITOR	(Addition)	1	02
06	C2129		-----	NCB31HK-103X	C CAPACITOR	(Addition)	1	02
06	C2130		-----	QETN1HM-226Z	E CAPACITOR	(Addition)	1	02
06	C2131		-----	NDC31HJ-330X	C CAPACITOR	(Addition)	1	02
06	C2132		-----	NDC31HJ-330X	C CAPACITOR	(Addition)	1	02
06	C2133		-----	NCB31HK-102X	C CAPACITOR	(Addition)	1	02
06	C2136		-----	NDC31HJ-101X	C CAPACITOR	(Addition)	1	01,02
06	C2137		-----	NDC31HJ-101X	C CAPACITOR	(Addition)	1	01,02
06	C2138		-----	NDC31HJ-101X	C CAPACITOR	(Addition)	1	01,02
06	C2201		-----	NDC31HJ-330X	C CAPACITOR	(Addition)	1	01,02

△	Symbol	or	Part No.		Part Name	Description	Qty	Models
			<Rev.001>	<Rev.002>				
06	C2202		-----	NDC31HJ-330X	C CAPACITOR	(Addition)	1	01,02
06	C2203		-----	NCB31HK-103X	C CAPACITOR	(Addition)	1	02
06	C2204		-----	NDC31HJ-120X	C CAPACITOR	(Addition)	1	02
06	C2205		-----	NDC31HJ-220X	C CAPACITOR	(Addition)	1	02
06	C2206		-----	NCB31HK-103X	C CAPACITOR	(Addition)	1	02
06	C2207		-----	NCB31HK-104X	C CAPACITOR	(Addition)	1	02
06	C2208		-----	NCB31HK-103X	C CAPACITOR	(Addition)	1	02
06	C2209		-----	NCB31HK-103X	C CAPACITOR	(Addition)	1	02
06	C2210		-----	NCB31HK-104X	C CAPACITOR	(Addition)	1	02
06	C2211		-----	NCB31CK-105X	C CAPACITOR	(Addition)	1	02
06	C2212		-----	NCB31HK-104X	C CAPACITOR	(Addition)	1	02
06	C2213		-----	QETN1HM-106Z	E CAPACITOR	(Addition)	1	02
06	C2214		-----	NCB31CK-224X	C CAPACITOR	(Addition)	1	02
06	C2215		-----	NCB31HK-104X	C CAPACITOR	(Addition)	1	02
06	C2216		-----	NDC31HJ-150X	C CAPACITOR	(Addition)	1	02
06	C2217		-----	NCB31CK-224X	C CAPACITOR	(Addition)	1	02
06	C2218		-----	NDC31HJ-561X	C CAPACITOR	(Addition)	1	02
06	C2219		-----	NCB31HK-103X	C CAPACITOR	(Addition)	1	02
06	C2220		-----	NCJ11EK-106X-A	C CAPACITOR	(Addition)	1	02
06	C2221		-----	NCB31HK-103X	C CAPACITOR	(Addition)	1	02
06	C2225		-----	NCB31HK-102X	C CAPACITOR	(Addition)	1	02
06	C2229		-----	NDC31HJ-101X	C CAPACITOR	(Addition)	1	01,02
06	C2301		-----	NDC31HJ-101X	C CAPACITOR	(Addition)	1	01,02
06	C2302		-----	QETN1HM-226Z	E CAPACITOR	(Addition)	1	01,02
06	C2303		-----	NCB31CK-105X	C CAPACITOR	(Addition)	1	01
06	C2304		-----	NCB31CK-105X	C CAPACITOR	(Addition)	1	01
06	C2305		-----	QETN1CM-107Z	E CAPACITOR	(Addition)	1	01,02
06	C2309		-----	QETN1HM-226Z	E CAPACITOR	(Addition)	1	01,02
06	C2310		-----	QFV91HJ-474Z	MF CAPACITOR	(Addition)	1	01,02
06	C2311		-----	QFV91HJ-474Z	MF CAPACITOR	(Addition)	1	01,02
06	C2312		-----	NCB31CK-105X	C CAPACITOR	(Addition)	1	01,02
06	C2313		-----	NCB31CK-105X	C CAPACITOR	(Addition)	1	01,02
06	C2314		-----	NCB31CK-105X	C CAPACITOR	(Addition)	1	01,02
06	C2315		-----	NCB31CK-105X	C CAPACITOR	(Addition)	1	01,02
06	C2316		-----	NCB31CK-105X	C CAPACITOR	(Addition)	1	01,02
06	C2317		-----	QETN1CM-107Z	E CAPACITOR	(Addition)	1	01,02
06	C2320		-----	QFN31HJ-473Z	M CAPACITOR	(Addition)	1	01,02
06	C2321		-----	NCB31HK-563X	C CAPACITOR	(Addition)	1	01,02
06	C2322		-----	NCB31HK-104X	C CAPACITOR	(Addition)	1	01,02
06	C2323		-----	QFV91HJ-474Z	MF CAPACITOR	(Addition)	1	01,02
06	C2324		-----	QFV91HJ-474Z	MF CAPACITOR	(Addition)	1	01,02
06	C2325		-----	QFV91HJ-474Z	MF CAPACITOR	(Addition)	1	01,02
06	C2326		-----	QFV91HJ-474Z	MF CAPACITOR	(Addition)	1	01,02
06	C2327		-----	NDC31HJ-470X	C CAPACITOR	(Addition)	1	01,02
06	C2328		-----	NDC31HJ-470X	C CAPACITOR	(Addition)	1	01,02
06	C2329		-----	NDC31HJ-470X	C CAPACITOR	(Addition)	1	01,02
06	C2330		-----	NDC31HJ-470X	C CAPACITOR	(Addition)	1	01,02
06	C2331		-----	QETN1HM-226Z	E CAPACITOR	(Addition)	1	01,02
06	C2332		-----	NDC31HJ-471X	C CAPACITOR	(Addition)	1	01,02
06	C2333		-----	QETN1EM-476Z	E CAPACITOR	(Addition)	1	01,02
06	C2334		-----	QEKJ1HM-225Z	E CAPACITOR	(Addition)	1	01,02
06	C2335		-----	QETN1HM-106Z	E CAPACITOR	(Addition)	1	01,02
06	C2336		-----	QFN31HJ-104Z	M CAPACITOR	(Addition)	1	01,02
06	C2337		-----	NCB31HK-104X	C CAPACITOR	(Addition)	1	01,02
06	C2338		-----	NDC31HJ-101X	C CAPACITOR	(Addition)	1	01,02
06	C2339		-----	QEKJ1HM-225Z	E CAPACITOR	(Addition)	1	01,02
06	C2340		-----	NDC31HJ-101X	C CAPACITOR	(Addition)	1	01,02
06	C2341		-----	NDC31HJ-101X	C CAPACITOR	(Addition)	1	01,02
06	C2342		-----	NDC31HJ-101X	C CAPACITOR	(Addition)	1	01,02
06	C2343		-----	NDC31HJ-101X	C CAPACITOR	(Addition)	1	01,02
06	C2344		-----	NDC31HJ-101X	C CAPACITOR	(Addition)	1	01,02
06	C2345		-----	NDC31HJ-101X	C CAPACITOR	(Addition)	1	01,02
06	C2346		-----	NDC31HJ-101X	C CAPACITOR	(Addition)	1	01,02
06	C2347		-----	NDC31HJ-101X	C CAPACITOR	(Addition)	1	01,02
06	C2348		-----	QETN1HM-106Z	E CAPACITOR	(Addition)	1	01,02
06	C2349		-----	QEKJ1HM-475Z	E CAPACITOR	(Addition)	1	01,02
06	C2350		-----	QEKJ1HM-475Z	E CAPACITOR	(Addition)	1	01,02
06	C2351		-----	QEKJ1HM-475Z	E CAPACITOR	(Addition)	1	01,02

△	Symbol	or	Part No.		Part Name	Description	Qty	Models
			<Rev.001>	<Rev.002>				
06	C2352		-----	QEKJ1HM-475Z	E CAPACITOR	(Addition)	1	01,02
06	C2353		-----	NDC31HJ-101X	C CAPACITOR	(Addition)	1	01,02
06	C2354		-----	NDC31HJ-101X	C CAPACITOR	(Addition)	1	01,02
06	C2355		-----	NDC31HJ-101X	C CAPACITOR	(Addition)	1	01,02
06	C2356		-----	NDC31HJ-101X	C CAPACITOR	(Addition)	1	01,02
06	C2357		-----	NCB31HK-223X	C CAPACITOR	(Addition)	1	01,02
06	C2360		-----	NDC31HJ-470X	C CAPACITOR	(Addition)	1	01,02
06	C2362		-----	NDC31HJ-101X	C CAPACITOR	(Addition)	1	01,02
06	C2363		-----	NDC31HJ-101X	C CAPACITOR	(Addition)	1	01,02
06	C2364		-----	NDC31HJ-101X	C CAPACITOR	(Addition)	1	01,02
06	C2365		-----	NDC31HJ-470X	C CAPACITOR	(Addition)	1	01,02
06	C2366		-----	NDC31HJ-470X	C CAPACITOR	(Addition)	1	01,02
06	C2367		-----	NDC31HJ-470X	C CAPACITOR	(Addition)	1	01,02
06	C2368		-----	NDC31HJ-470X	C CAPACITOR	(Addition)	1	01,02
06	C2369		-----	NDC31HJ-470X	C CAPACITOR	(Addition)	1	01,02
06	C2370		-----	NDC31HJ-470X	C CAPACITOR	(Addition)	1	01,02
06	C2371		-----	NDC31HJ-470X	C CAPACITOR	(Addition)	1	01,02
06	C2372		-----	NDC31HJ-470X	C CAPACITOR	(Addition)	1	01,02
06	C2373		-----	NDC31HJ-470X	C CAPACITOR	(Addition)	1	01,02
06	C2374		-----	NDC31HJ-470X	C CAPACITOR	(Addition)	1	01,02
06	C2375		-----	NDC31HJ-470X	C CAPACITOR	(Addition)	1	01,02
06	C2376		-----	NDC31HJ-470X	C CAPACITOR	(Addition)	1	01,02
06	C2377		-----	NDC31HJ-101X	C CAPACITOR	(Addition)	1	01,02
06	C2378		-----	NDC31HJ-101X	C CAPACITOR	(Addition)	1	01,02
06	C2379		-----	NDC31HJ-101X	C CAPACITOR	(Addition)	1	01,02
06	C2380		-----	NDC31HJ-101X	C CAPACITOR	(Addition)	1	01,02
06	C2381		-----	NDC31HJ-101X	C CAPACITOR	(Addition)	1	01,02
06	C2382		-----	NDC31HJ-101X	C CAPACITOR	(Addition)	1	01,02
06	C2383		-----	NDC31HJ-101X	C CAPACITOR	(Addition)	1	01,02
06	C2384		-----	NDC31HJ-101X	C CAPACITOR	(Addition)	1	01,02
06	C2385		-----	NDC31HJ-101X	C CAPACITOR	(Addition)	1	01,02
06	C2386		-----	NDC31HJ-101X	C CAPACITOR	(Addition)	1	01,02
06	C2387		-----	NDC31HJ-470X	C CAPACITOR	(Addition)	1	01,02
06	C2388		-----	NDC31HJ-470X	C CAPACITOR	(Addition)	1	01,02
06	C2389		-----	NDC31HJ-470X	C CAPACITOR	(Addition)	1	01,02
06	C2390		-----	NDC31HJ-470X	C CAPACITOR	(Addition)	1	01,02
06	C2401		-----	NDC31HJ-471X	C CAPACITOR	(Addition)	1	01,02
06	C2402		-----	QETN1EM-476Z	E CAPACITOR	(Addition)	1	01,02
06	C2403		-----	NDC31HJ-471X	C CAPACITOR	(Addition)	1	01,02
06	C2404		-----	QETN1EM-476Z	E CAPACITOR	(Addition)	1	01,02
06	C2405		-----	QETN1HM-106Z	E CAPACITOR	(Addition)	1	01,02
06	C2406		-----	NCB31HK-104X	C CAPACITOR	(Addition)	1	01,02
06	C2407		-----	NCB31CK-104X	C CAPACITOR	(Addition)	1	01,02
06	C2408		-----	NCB31HK-103X	C CAPACITOR	(Addition)	1	01,02
06	C2409		-----	NCB31CK-104X	C CAPACITOR	(Addition)	1	01,02
06	C2503		-----	NCB11EK-105X	C CAPACITOR	(Addition)	1	01,02
06	C2504		-----	NCB31AK-105X	C CAPACITOR	(Addition)	1	01,02
06	C2505		-----	QETN1CM-107Z	E CAPACITOR	(Addition)	1	01,02
06	C2506		-----	QETN1CM-107Z	E CAPACITOR	(Addition)	1	01,02
06	C2507		-----	QETN1HM-226Z	E CAPACITOR	(Addition)	1	01,02
06	C2508		-----	NCB31CK-105X	C CAPACITOR	(Addition)	1	01,02
06	C2509		-----	NDC31HJ-101X	C CAPACITOR	(Addition)	1	01,02
06	C2510		-----	NCB31CK-105X	C CAPACITOR	(Addition)	1	01,02
06	C2511		-----	NCB31CK-105X	C CAPACITOR	(Addition)	1	01,02
06	C2512		-----	NCB31CK-105X	C CAPACITOR	(Addition)	1	01,02
06	C2601		-----	QETN1HM-106Z	E CAPACITOR	(Addition)	1	02
06	C2602		-----	QETN1CM-107Z	E CAPACITOR	(Addition)	1	02
06	C2603		-----	NCB31CK-105X	C CAPACITOR	(Addition)	1	02
06	C2604		-----	NCB31HK-103X	C CAPACITOR	(Addition)	1	02
06	C2801		-----	NCB31EK-473X	C CAPACITOR	(Addition)	1	01,02
06	C2802		-----	QETN1EM-476Z	E CAPACITOR	(Addition)	1	01,02
06	C2803		-----	NDC31HJ-220X	C CAPACITOR	(Addition)	1	01,02
06	C2804		-----	NDC31HJ-220X	C CAPACITOR	(Addition)	1	01,02
06	C2805		-----	NDC31HJ-120X	C CAPACITOR	(Addition)	1	01,02
06	C2806		-----	NDC31HJ-100X	C CAPACITOR	(Addition)	1	01,02
06	C2807		-----	NCB31CK-104X	C CAPACITOR	(Addition)	1	01,02
06	C2808		-----	QETN1AM-227Z	E CAPACITOR	(Addition)	1	01,02
06	C2809		-----	QETN1CM-107Z	E CAPACITOR	(Addition)	1	01,02

△	Symbol	or	Part No.		Part Name	Description	Qty	Models
			<Rev.001>	<Rev.002>				
06	C2810		-----	QETN0JM-108Z	E CAPACITOR	(Addition)	1	01,02
06	C2811		-----	QETN1AM-227Z	E CAPACITOR	(Addition)	1	01,02
06	C2812		-----	NCB31CK-104X	C CAPACITOR	(Addition)	1	01,02
06	C2813		-----	NCB31HK-103X	C CAPACITOR	(Addition)	1	01,02
06	C2814		-----	NCB31CK-104X	C CAPACITOR	(Addition)	1	02
06	C2815		-----	NCB31EK-473X	C CAPACITOR	(Addition)	1	01,02
06	C2816		-----	NCB31CK-104X	C CAPACITOR	(Addition)	1	01,02
06	C2817		-----	NDC31HJ-222X	C CAPACITOR	(Addition)	1	02
06	C2818		-----	NCB31CK-104X	C CAPACITOR	(Addition)	1	01,02
06	C2819		-----	NCB31CK-104X	C CAPACITOR	(Addition)	1	01,02
06	C2901		-----	QEZ0870-278	E CAPACITOR	(Addition)	1	01,02
06	C2902		-----	QEKJ1HM-225Z	E CAPACITOR	(Addition)	1	01,02
06	C2903		-----	QETN1EM-476Z	E CAPACITOR	(Addition)	1	01,02
06	C2904		-----	QETN1HM-106Z	E CAPACITOR	(Addition)	1	01,02
06	C2905		-----	QETN1EM-476Z	E CAPACITOR	(Addition)	1	01,02
06	C2906		-----	QETN1CM-107Z	E CAPACITOR	(Addition)	1	01,02
06	C2907		-----	NCB31CK-104X	C CAPACITOR	(Addition)	1	01,02
06	C2908		-----	NCB31CK-104X	C CAPACITOR	(Addition)	1	01,02
06	C2909		-----	QETN1HM-106Z	E CAPACITOR	(Addition)	1	01,02
06	C2910		-----	NCB31EK-104X	C CAPACITOR	(Addition)	1	01
06	C2911		-----	QETN1HM-106Z	E CAPACITOR	(Addition)	1	01,02
06	C2912		-----	NCB31EK-104X	C CAPACITOR	(Addition)	1	01
06	C2913		-----	NCB31EK-104X	C CAPACITOR	(Addition)	1	01,02
06	C2914		-----	QETN1CM-108Z	E CAPACITOR	(Addition)	1	01,02
06	C2921		-----	NDC31HJ-470X	C CAPACITOR	(Addition)	1	01,02
06	C2923		-----	NDC31HJ-470X	C CAPACITOR	(Addition)	1	01,02
06	C2925		-----	NDC31HJ-470X	C CAPACITOR	(Addition)	1	01,02
06	C2928		-----	QEKJ1HM-225Z	E CAPACITOR	(Addition)	1	01,02
06	C2931		-----	NDC31HJ-470X	C CAPACITOR	(Addition)	1	01,02
06	C2933		-----	NDC31HJ-470X	C CAPACITOR	(Addition)	1	01,02
06	C2934		-----	NDC31HJ-470X	C CAPACITOR	(Addition)	1	01,02
06	C2937		-----	NDC31HJ-470X	C CAPACITOR	(Addition)	1	01,02
06	C2938		-----	NDC31HJ-470X	C CAPACITOR	(Addition)	1	01,02
06	C2941		-----	NDC31HJ-470X	C CAPACITOR	(Addition)	1	01,02
06	C2943		-----	NDC31HJ-470X	C CAPACITOR	(Addition)	1	01,02
06	C2945		-----	NDC31HJ-470X	C CAPACITOR	(Addition)	1	01,02
06	C2947		-----	NDC31HJ-470X	C CAPACITOR	(Addition)	1	01,02
06	C2949		-----	NDC31HJ-470X	C CAPACITOR	(Addition)	1	01,02
06	C4841		-----	NCB31CK-104X	C CAPACITOR	(Addition)	1	02
06	C4842		-----	NDC31HJ-101X	C CAPACITOR	(Addition)	1	02
06	R2001		-----	NRSA63J-101X	MG RESISTOR	(Addition)	1	01,02
06	R2002		-----	NRSA63J-102X	MG RESISTOR	(Addition)	1	01,02
06	R2003		-----	NRSA63J-102X	MG RESISTOR	(Addition)	1	01,02
06	R2004		-----	NRSA63J-101X	MG RESISTOR	(Addition)	1	01,02
06	R2005		-----	NRSA63J-102X	MG RESISTOR	(Addition)	1	01,02
06	R2006		-----	NRSA63J-101X	MG RESISTOR	(Addition)	1	01,02
06	R2007		-----	NRSA63J-472X	MG RESISTOR	(Addition)	1	01,02
06	R2008		-----	NRSA63J-101X	MG RESISTOR	(Addition)	1	01,02
06	R2009		-----	NRSA63J-101X	MG RESISTOR	(Addition)	1	01,02
06	R2010		-----	NRSA63J-472X	MG RESISTOR	(Addition)	1	01,02
06	R2011		-----	NRSA63J-472X	MG RESISTOR	(Addition)	1	01,02
06	R2012		-----	NRSA63J-102X	MG RESISTOR	(Addition)	1	01,02
06	R2013		-----	NRSA63J-102X	MG RESISTOR	(Addition)	1	01,02
06	R2014		-----	NRSA63J-102X	MG RESISTOR	(Addition)	1	01,02
06	R2015		-----	NRSA63J-102X	MG RESISTOR	(Addition)	1	01,02
06	R2016		-----	NRSA63J-101X	MG RESISTOR	(Addition)	1	01,02
06	R2017		-----	NRSA63J-101X	MG RESISTOR	(Addition)	1	01,02
06	R2018		-----	NRSA63J-102X	MG RESISTOR	(Addition)	1	01,02
06	R2019		-----	NRSA63J-102X	MG RESISTOR	(Addition)	1	01,02
06	R2020		-----	NRSA63J-102X	MG RESISTOR	(Addition)	1	01,02
06	R2021		-----	NRSA63J-102X	MG RESISTOR	(Addition)	1	01,02
06	R2022		-----	NRSA63J-101X	MG RESISTOR	(Addition)	1	01,02
06	R2023		-----	NRSA63J-101X	MG RESISTOR	(Addition)	1	01,02
06	R2024		-----	NRSA63J-101X	MG RESISTOR	(Addition)	1	01,02
06	R2025		-----	NRSA63J-101X	MG RESISTOR	(Addition)	1	01,02
06	R2026		-----	NRSA63J-101X	MG RESISTOR	(Addition)	1	01,02
06	R2027		-----	NRSA63J-101X	MG RESISTOR	(Addition)	1	01,02
06	R2028		-----	NRSA63J-101X	MG RESISTOR	(Addition)	1	01,02

△	Symbol	or	Part No.		Part Name	Description	Qty	Models
			<Rev.001>	<Rev.002>				
06	R2029		-----	NRSA63J-102X	MG RESISTOR	(Addition)	1	01,02
06	R2030		-----	NRSA63J-102X	MG RESISTOR	(Addition)	1	01,02
06	R2031		-----	NRSA63J-272X	MG RESISTOR	(Addition)	1	01,02
06	R2032		-----	NRSA63J-102X	MG RESISTOR	(Addition)	1	01,02
06	R2033		-----	NRSA63J-101X	MG RESISTOR	(Addition)	1	01,02
06	R2034		-----	NRSA63J-102X	MG RESISTOR	(Addition)	1	01,02
06	R2035		-----	NRSA63J-102X	MG RESISTOR	(Addition)	1	01,02
06	R2036		-----	NRSA63J-102X	MG RESISTOR	(Addition)	1	01,02
06	R2037		-----	NRSA63J-101X	MG RESISTOR	(Addition)	1	01,02
06	R2038		-----	NRSA63J-101X	MG RESISTOR	(Addition)	1	01,02
06	R2039		-----	NRSA63J-101X	MG RESISTOR	(Addition)	1	01,02
06	R2040		-----	NRSA63J-101X	MG RESISTOR	(Addition)	1	01,02
06	R2041		-----	NRSA63J-101X	MG RESISTOR	(Addition)	1	01,02
06	R2042		-----	NRSA63J-102X	MG RESISTOR	(Addition)	1	02
06	R2043		-----	NRSA63J-102X	MG RESISTOR	(Addition)	1	01,02
06	R2044		-----	NRSA63J-102X	MG RESISTOR	(Addition)	1	01,02
06	R2045		-----	NRSA63J-102X	MG RESISTOR	(Addition)	1	01,02
06	R2046		-----	NRSA63J-221X	MG RESISTOR	(Addition)	1	01,02
06	R2047		-----	NRSA63J-103X	MG RESISTOR	(Addition)	1	01,02
06	R2048		-----	NRSA63J-102X	MG RESISTOR	(Addition)	1	01,02
06	R2049		-----	NRSA63J-102X	MG RESISTOR	(Addition)	1	01,02
06	R2050		-----	NRSA63J-102X	MG RESISTOR	(Addition)	1	01,02
06	R2051		-----	NRSA63J-102X	MG RESISTOR	(Addition)	1	01,02
06	R2052		-----	NRSA63J-102X	MG RESISTOR	(Addition)	1	01,02
06	R2053		-----	NRSA63J-472X	MG RESISTOR	(Addition)	1	01,02
06	R2055		-----	NRSA63J-472X	MG RESISTOR	(Addition)	1	01
06	R2056		-----	NRSA63J-472X	MG RESISTOR	(Addition)	1	02
06	R2057		-----	NRSA63J-102X	MG RESISTOR	(Addition)	1	01,02
06	R2058		-----	NRSA63J-102X	MG RESISTOR	(Addition)	1	01,02
06	R2059		-----	NRSA63J-102X	MG RESISTOR	(Addition)	1	01,02
06	R2060		-----	NRSA63J-102X	MG RESISTOR	(Addition)	1	01,02
06	R2061		-----	NRSA63J-102X	MG RESISTOR	(Addition)	1	01,02
06	R2062		-----	NRSA63J-101X	MG RESISTOR	(Addition)	1	01,02
06	R2063		-----	NRSA63J-101X	MG RESISTOR	(Addition)	1	01,02
06	R2064		-----	NRSA63J-102X	MG RESISTOR	(Addition)	1	01,02
06	R2065		-----	NRSA63J-101X	MG RESISTOR	(Addition)	1	01,02
06	R2066		-----	NRSA63J-101X	MG RESISTOR	(Addition)	1	01,02
06	R2067		-----	NRSA63J-101X	MG RESISTOR	(Addition)	1	01,02
06	R2068		-----	NRSA63J-101X	MG RESISTOR	(Addition)	1	01,02
06	R2069		-----	NRSA63J-102X	MG RESISTOR	(Addition)	1	01,02
06	R2070		-----	NRSA63J-102X	MG RESISTOR	(Addition)	1	01,02
06	R2071		-----	NRSA63J-101X	MG RESISTOR	(Addition)	1	01,02
06	R2072		-----	NRSA63J-101X	MG RESISTOR	(Addition)	1	01,02
06	R2073		-----	NRSA63J-473X	MG RESISTOR	(Addition)	1	01,02
06	R2074		-----	NRSA63J-102X	MG RESISTOR	(Addition)	1	01,02
06	R2075		-----	NRSA63J-102X	MG RESISTOR	(Addition)	1	01,02
06	R2076		-----	NRSA63J-102X	MG RESISTOR	(Addition)	1	01,02
06	R2077		-----	NRSA63J-472X	MG RESISTOR	(Addition)	1	01,02
06	R2078		-----	NRSA63J-472X	MG RESISTOR	(Addition)	1	01,02
06	R2079		-----	NRSA63J-101X	MG RESISTOR	(Addition)	1	01,02
06	R2080		-----	NRSA63J-101X	MG RESISTOR	(Addition)	1	01,02
06	R2081		-----	NRSA63J-102X	MG RESISTOR	(Addition)	1	01,02
06	R2082		-----	NRSA63J-102X	MG RESISTOR	(Addition)	1	01,02
06	R2083		-----	NRSA63J-102X	MG RESISTOR	(Addition)	1	01,02
06	R2084		-----	NRSA63J-101X	MG RESISTOR	(Addition)	1	01,02
06	R2085		-----	NRSA63J-102X	MG RESISTOR	(Addition)	1	01,02
06	R2086		-----	NRSA63J-0R0X	MG RESISTOR	(Addition)	1	01,02
06	R2087		-----	NRSA63J-101X	MG RESISTOR	(Addition)	1	01,02
06	R2088		-----	NRSA63J-102X	MG RESISTOR	(Addition)	1	01,02
06	R2089		-----	NRSA63J-102X	MG RESISTOR	(Addition)	1	01,02
06	R2101		-----	NRSA63J-684X	MG RESISTOR	(Addition)	1	02
06	R2101		-----	NRSA63J-474X	MG RESISTOR	(Addition)	1	01
06	R2102		-----	NRSA63J-684X	MG RESISTOR	(Addition)	1	02
06	R2102		-----	NRSA63J-474X	MG RESISTOR	(Addition)	1	01
06	R2103		-----	NRSA63J-472X	MG RESISTOR	(Addition)	1	01,02
06	R2104		-----	NRS181J-220X	MG RESISTOR	(Addition)	1	01,02
06	R2105		-----	NRSA63J-101X	MG RESISTOR	(Addition)	1	01,02
06	R2106		-----	NRSA63J-101X	MG RESISTOR	(Addition)	1	01,02

△	Symbol	or	Part No.		Part Name	Description	Qty	Models
			<Rev.001>	<Rev.002>				
06	R2107		-----	NRSA63J-103X	MG RESISTOR	(Addition)	1	01,02
06	R2108		-----	NRSA63J-103X	MG RESISTOR	(Addition)	1	01,02
06	R2109		-----	NRSA63J-102X	MG RESISTOR	(Addition)	1	02
06	R2110		-----	NRSA63J-102X	MG RESISTOR	(Addition)	1	02
06	R2112		-----	NRSA63J-102X	MG RESISTOR	(Addition)	1	02
06	R2113		-----	NRSA63J-0R0X	MG RESISTOR	(Addition)	1	01,02
06	R2114		-----	NRSA63J-0R0X	MG RESISTOR	(Addition)	1	01,02
06	R2201		-----	NRSA63J-104X	MG RESISTOR	(Addition)	1	01,02
06	R2202		-----	NRSA63J-394X	MG RESISTOR	(Addition)	1	01,02
06	R2203		-----	NRSA63J-104X	MG RESISTOR	(Addition)	1	02
06	R2204		-----	NRSA63J-823X	MG RESISTOR	(Addition)	1	02
06	R2205		-----	NRSA63J-0R0X	MG RESISTOR	(Addition)	1	02
06	R2206		-----	NRSA63J-0R0X	MG RESISTOR	(Addition)	1	02
06	R2207		-----	NRSA63J-472X	MG RESISTOR	(Addition)	1	02
06	R2208		-----	NRSA63J-101X	MG RESISTOR	(Addition)	1	02
06	R2209		-----	NRS181J-220X	MG RESISTOR	(Addition)	1	02
06	R2210		-----	NRSA63J-101X	MG RESISTOR	(Addition)	1	02
06	R2211		-----	NRSA63J-103X	MG RESISTOR	(Addition)	1	02
06	R2212		-----	NRSA63J-103X	MG RESISTOR	(Addition)	1	02
06	R2213		-----	NRSA63J-102X	MG RESISTOR	(Addition)	1	02
06	R2214		-----	NRSA63J-102X	MG RESISTOR	(Addition)	1	02
06	R2215		-----	NRSA63J-102X	MG RESISTOR	(Addition)	1	02
06	R2301		-----	NRSA63J-0R0X	MG RESISTOR	(Addition)	1	02
06	R2302		-----	NRSA63J-0R0X	MG RESISTOR	(Addition)	1	02
06	R2303		-----	NRSA63J-104X	MG RESISTOR	(Addition)	1	01
06	R2304		-----	NRSA63J-104X	MG RESISTOR	(Addition)	1	01
06	R2305		-----	NRSA63J-473X	MG RESISTOR	(Addition)	1	01,02
06	R2306		-----	NRSA63J-473X	MG RESISTOR	(Addition)	1	01,02
06	R2309		-----	NRSA63J-471X	MG RESISTOR	(Addition)	1	01,02
06	R2310		-----	NRSA63J-473X	MG RESISTOR	(Addition)	1	01,02
06	R2311		-----	NRSA63J-473X	MG RESISTOR	(Addition)	1	01,02
06	R2312		-----	NRSA63J-222X	MG RESISTOR	(Addition)	1	01,02
06	R2313		-----	NRSA63J-101X	MG RESISTOR	(Addition)	1	01,02
06	R2314		-----	NRSA63J-101X	MG RESISTOR	(Addition)	1	01,02
06	R2316		-----	NRSA63J-222X	MG RESISTOR	(Addition)	1	01,02
06	R2317		-----	NRSA63J-473X	MG RESISTOR	(Addition)	1	01,02
06	R2318		-----	NRSA63J-473X	MG RESISTOR	(Addition)	1	01,02
06	R2319		-----	NRSA63J-102X	MG RESISTOR	(Addition)	1	01,02
06	R2320		-----	NRSA63J-154X	MG RESISTOR	(Addition)	1	01,02
06	R2321		-----	NRSA63J-822X	MG RESISTOR	(Addition)	1	01,02
06	R2323		-----	NRSA63J-102X	MG RESISTOR	(Addition)	1	01,02
06	R2324		-----	NRSA63J-473X	MG RESISTOR	(Addition)	1	01,02
06	R2325		-----	NRSA63J-102X	MG RESISTOR	(Addition)	1	01,02
06	R2326		-----	NRSA63J-221X	MG RESISTOR	(Addition)	1	01,02
06	R2327		-----	NRSA63J-221X	MG RESISTOR	(Addition)	1	01,02
06	R2328		-----	NRSA63J-473X	MG RESISTOR	(Addition)	1	01,02
06	R2329		-----	NRSA63J-473X	MG RESISTOR	(Addition)	1	01,02
06	R2330		-----	NRSA63J-473X	MG RESISTOR	(Addition)	1	01,02
06	R2331		-----	NRSA63J-473X	MG RESISTOR	(Addition)	1	01,02
06	R2332		-----	NRSA63J-102X	MG RESISTOR	(Addition)	1	01,02
06	R2333		-----	NRSA63J-102X	MG RESISTOR	(Addition)	1	01,02
06	R2334		-----	NRSA63J-102X	MG RESISTOR	(Addition)	1	01,02
06	R2335		-----	NRSA63J-102X	MG RESISTOR	(Addition)	1	01,02
06	R2336		-----	NRSA63J-102X	MG RESISTOR	(Addition)	1	01,02
06	R2337		-----	NRSA63J-102X	MG RESISTOR	(Addition)	1	01,02
06	R2338		-----	NRSA63J-102X	MG RESISTOR	(Addition)	1	01,02
06	R2339		-----	NRSA63J-221X	MG RESISTOR	(Addition)	1	01,02
06	R2340		-----	NRSA63J-102X	MG RESISTOR	(Addition)	1	01,02
06	R2341		-----	NRSA63J-221X	MG RESISTOR	(Addition)	1	01,02
06	R2342		-----	NRSA63J-221X	MG RESISTOR	(Addition)	1	01,02
06	R2343		-----	NRSA63J-221X	MG RESISTOR	(Addition)	1	01,02
06	R2344		-----	NRSA63J-221X	MG RESISTOR	(Addition)	1	01,02
06	R2345		-----	NRSA63J-221X	MG RESISTOR	(Addition)	1	01,02
06	R2346		-----	NRSA63J-221X	MG RESISTOR	(Addition)	1	01,02
06	R2347		-----	NRSA63J-221X	MG RESISTOR	(Addition)	1	01,02
06	R2348		-----	NRSA63J-273X	MG RESISTOR	(Addition)	1	01,02
06	R2349		-----	NRSA63J-100X	MG RESISTOR	(Addition)	1	01,02
06	R2401		-----	NRSA63J-104X	MG RESISTOR	(Addition)	1	01,02



△	Symbol	or	Part No.		Part Name	Description	Qty	Models
			<Rev.001>	<Rev.002>				
06	R2802		-----	NRSA63J-222X	MG RESISTOR	(Addition)	1	01,02
06	R2803		-----	NRSA63J-473X	MG RESISTOR	(Addition)	1	01,02
06	R2804		-----	NRSA63J-473X	MG RESISTOR	(Addition)	1	01,02
06	R2805		-----	NRSA63J-106X	MG RESISTOR	(Addition)	1	01,02
06	R2806		-----	NRSA63J-0R0X	MG RESISTOR	(Addition)	1	01,02
06	R2807		-----	NRSA63J-0R0X	MG RESISTOR	(Addition)	1	01,02
06	R2808		-----	NRSA63J-106X	MG RESISTOR	(Addition)	1	01,02
06	R2809		-----	NRSA63J-472X	MG RESISTOR	(Addition)	1	01,02
06	R2810		-----	NRSA63J-472X	MG RESISTOR	(Addition)	1	01,02
06	R2811		-----	NRSA63J-472X	MG RESISTOR	(Addition)	1	01,02
06	R2812		-----	NRSA63J-472X	MG RESISTOR	(Addition)	1	01,02
06	R2813		-----	NRSA63J-472X	MG RESISTOR	(Addition)	1	01,02
06	R2814		-----	NRSA63J-472X	MG RESISTOR	(Addition)	1	01,02
06	R2815		-----	NRSA63J-0R0X	MG RESISTOR	(Addition)	1	01
06	R2816		-----	NRSA63J-0R0X	MG RESISTOR	(Addition)	1	01
06	R2817		-----	NRSA63J-472X	MG RESISTOR	(Addition)	1	01,02
06	R2818		-----	NRSA63J-472X	MG RESISTOR	(Addition)	1	01,02
06	R2819		-----	NRSA63J-103X	MG RESISTOR	(Addition)	1	01
06	R2820		-----	NRSA63J-103X	MG RESISTOR	(Addition)	1	01
06	R2821		-----	NRSA63J-103X	MG RESISTOR	(Addition)	1	01,02
06	R2822		-----	NRSA63J-104X	MG RESISTOR	(Addition)	1	01,02
06	R2823		-----	NRSA63J-273X	MG RESISTOR	(Addition)	1	01,02
06	R2824		-----	NRSA63J-473X	MG RESISTOR	(Addition)	1	01,02
06	R2825		-----	NRSA63J-103X	MG RESISTOR	(Addition)	1	01
06	R2826		-----	NRSA63J-103X	MG RESISTOR	(Addition)	1	01
06	R2827		-----	NRSA63J-103X	MG RESISTOR	(Addition)	1	01,02
06	R2828		-----	NRSA63J-101X	MG RESISTOR	(Addition)	1	01,02
06	R2829		-----	NRSA63J-101X	MG RESISTOR	(Addition)	1	01,02
06	R2830		-----	NRSA63J-473X	MG RESISTOR	(Addition)	1	01,02
06	R2831		-----	NRSA63J-472X	MG RESISTOR	(Addition)	1	01,02
06	R2832		-----	NRSA63J-472X	MG RESISTOR	(Addition)	1	01,02
06	R2833		-----	NRSA63J-472X	MG RESISTOR	(Addition)	1	01,02
06	R2834		-----	NRSA63J-472X	MG RESISTOR	(Addition)	1	01,02
06	R2835		-----	NRSA63J-822X	MG RESISTOR	(Addition)	1	01,02
06	R2836		-----	NRSA63D-472X	MG RESISTOR	(Addition)	1	01,02
06	R2837		-----	NRSA63D-472X	MG RESISTOR	(Addition)	1	01,02
06	R2838		-----	NRSA63D-472X	MG RESISTOR	(Addition)	1	02
06	R2839		-----	NRSA63D-243X	MG RESISTOR	(Addition)	1	01,02
06	R2840		-----	NRSA63D-104X	MG RESISTOR	(Addition)	1	01,02
06	R2843		-----	NRSA63J-472X	MG RESISTOR	(Addition)	1	01,02
06	R2844		-----	NRSA63J-153X	MG RESISTOR	(Addition)	1	02
06	R2844		-----	NRSA63J-333X	MG RESISTOR	(Addition)	1	01
06	R2901		-----	NRSA63J-103X	MG RESISTOR	(Addition)	1	01,02
06	R2902		-----	NRSA63J-472X	MG RESISTOR	(Addition)	1	01,02
06	R2903		-----	NRSA63J-203X	MG RESISTOR	(Addition)	1	01,02
06	R2904		-----	NRSA63J-473X	MG RESISTOR	(Addition)	1	01,02
06	R2905		-----	NRSA63J-153X	MG RESISTOR	(Addition)	1	01,02
06	R2906		-----	NRSA63J-473X	MG RESISTOR	(Addition)	1	01,02
06	R2907		-----	NRS181J-472X	MG RESISTOR	(Addition)	1	01
06	R2909		-----	NRS181J-332X	MG RESISTOR	(Addition)	1	01,02
06	L2101		-----	NQL093K-R22X	COIL	(Addition)	1	01,02
06	L2102		-----	NQL093K-4R7X	COIL	(Addition)	1	01,02
06	L2103		-----	NQL093K-R47X	COIL	(Addition)	1	01,02
06	L2104		-----	NQL093K-1R8X	COIL	(Addition)	1	01,02
06	L2105		-----	NQL093K-R47X	COIL	(Addition)	1	01,02
06	L2106		-----	NQL114K-561X	P COIL	(Addition)	1	01,02
06	L2107		-----	NQL114K-561X	P COIL	(Addition)	1	01,02
06	L2201		-----	NQL093K-2R7X	COIL	(Addition)	1	02
06	L2202		-----	NQL093K-R22X	COIL	(Addition)	1	02
06	L2501		-----	NQL79GM-4R7X	COIL	(Addition)	1	01,02
06	L2801		-----	NQL79GK-470X	COIL	(Addition)	1	01,02
06	L2901		-----	QQR0703-001	CHOKE COIL	(Addition)	1	01,02
06	L2902		-----	NQL79GK-101X	COIL	(Addition)	1	01,02
06	T2101		-----	QQR1813-001	COIL	(Addition)	1	01,02
06	T2201		-----	QQR1813-001	COIL	(Addition)	1	02
06	BK233		-----	LV43967-001A	IC BRACKET	(Addition)	1	01
06	BK241		-----	LV38635-001A	GPS BKT	(Addition)	1	01
06	BK291		-----	LV37825-004A	REG. IC BKT	(Addition)	1	01



△	Symbol	or	Part No.		Part Name	Description	Qty	Models
			<Rev.001>	<Rev.002>				
	06	BZ251	-----	QAN0023-001Z	BUZZER	(Addition)	1	01,02
	06	CN231	-----	QGA2501C1-02	CONNECTOR	(Addition)	1	01,02
	06	CN241	-----	QNZ0984-002	CAR CONNECTOR	(Addition)	1	01,02
	06	CN251	-----	QGB1004K2-30W	CONNECTOR	(Addition)	1	01,02
	06	CN252	-----	QGB0815K1-60X	CONNECTOR	(Addition)	1	01,02
	06	CN261	-----	QGA1217C2-03X	CONNECTOR	(Addition)	1	02
	06	CN291	-----	QNZ0090-001	CAR CONNECTOR	(Addition)	1	01,02
	06	CN481	-----	QGA1217C2-03X	CONNECTOR	(Addition)	1	02
	06	EP201	-----	NNZ0165-001X	EARTH TERMINAL	(Addition)	1	01,02
	06	EP202	-----	NNZ0165-001X	EARTH TERMINAL	(Addition)	1	01,02
	06	EP203	-----	NNZ0165-001X	EARTH TERMINAL	(Addition)	1	01,02
	06	EP204	-----	NNZ0165-001X	EARTH TERMINAL	(Addition)	1	01,02
	06	EP205	-----	NNZ0165-001X	EARTH TERMINAL	(Addition)	1	01,02
	06	EP481	-----	NNZ0165-001X	EARTH TERMINAL	(Addition)	1	02
	06	F2900	-----	QMFZ039-150-T	FUSE	(Addition)	1	01
△	06	F2901	-----	NMFZ018-5R0X-E	FUSE	(Addition)	1	02
	06	F2901	-----	NMFZ018-5R0X-E	FUSE	(Addition)	1	01
△	06	F2902	-----	NMFZ018-5R0X-E	FUSE	(Addition)	1	02
	06	F2902	-----	NMFZ018-5R0X-E	FUSE	(Addition)	1	01
	06	J2301	-----	QNN0775-001	PIN JACK	(Addition)	1	01,02
	06	K2401	-----	NQR0201-004X	FERRITE BEADS	(Addition)	1	01,02
	06	K2402	-----	NQR0201-004X	FERRITE BEADS	(Addition)	1	01,02
	06	K2403	-----	NQR0389-001X	FERRITE BEADS	(Addition)	1	01,02
	06	K2404	-----	NQR0389-001X	FERRITE BEADS	(Addition)	1	01,02
	06	PP1	-----	QZW0010-001	STYLE PIN	(Addition)	1	01,02
	06	PP2	-----	QZW0010-001	STYLE PIN	(Addition)	1	01,02
	06	TH201	-----	NAD0028-103X	N THERMISTOR	(Addition)	1	01,02
	06	TH231	-----	NAD0028-103X	N THERMISTOR	(Addition)	1	01,02
	06	W2101	-----	QAM1233-001	CAR CABLE	(Addition)	1	01,02
	06	X2001	-----	QAX0401-001	CRYSTAL	(Addition)	1	01,02
	06	X2002	-----	NAX0981-001X	CRYSTAL	(Addition)	1	01,02
	06	X2101	-----	QAX0928-001Z	CRYSTAL	(Addition)	1	01,02
	06	X2102	-----	QAX0263-001Z	CRYSTAL	(Addition)	1	02
	06	X2201	-----	QAX0928-001Z	CRYSTAL	(Addition)	1	02

### Sub board common [07]

△	Symbol	or	Part No.		Part Name	Description	Qty	Models
			<Rev.001>	<Rev.002>				
	07	IC311	-----	JVM4152	IC(MCU)	(Addition)	1	01,02
	07	IC321	-----	TC74VHCT126AFTX	IC	(Addition)	1	01
	07	IC341	-----	NJM2505AF-X	IC	(Addition)	1	01,02
	07	IC342	-----	NJM2505AF-X	IC	(Addition)	1	01,02
	07	IC343	-----	NJM2535V-X	IC	(Addition)	1	01,02
	07	IC344	-----	NJM2535V-X	IC	(Addition)	1	01,02
	07	IC345	-----	NJM2561F1-X	IC	(Addition)	1	01,02
	07	IC351	-----	TOTX177L	OPT TRANSMITTER	(Addition)	1	01,02
	07	IC371	-----	BD9781HFP-W	IC	(Addition)	1	01,02
	07	IC372	-----	BD9781HFP-W	IC	(Addition)	1	01,02
	07	IC374	-----	LT1946AEMS8E-X	IC	(Addition)	1	01,02
	07	IC381	-----	NJM4565E-X	IC	(Addition)	1	01,02
	07	IC392	-----	NJM2732RB1-X	IC	(Addition)	1	02
	07	Q3701	-----	2SA812A/5-6/-X	TRANSISTOR	(Addition)	1	01,02
	07	Q3702	-----	2SC1623A/5-6/-X	TRANSISTOR	(Addition)	1	01,02
	07	Q3703	-----	2SA812A/5-6/-X	TRANSISTOR	(Addition)	1	01,02
	07	Q3901	-----	RT1N141C-X	DIGI TRANSISTOR	(Addition)	1	01,02
	07	Q3901	or	UN2211-X	TRANSISTOR	(Addition)	1	01,02
	07	D3201	-----	MA22D23-X	SB DIODE	(Addition)	1	01
	07	D3301	-----	MA8062/M/-X	Z DIODE	(Addition)	1	01,02
	07	D3302	-----	MA8062/M/-X	Z DIODE	(Addition)	1	01,02
	07	D3303	-----	MA8062/M/-X	Z DIODE	(Addition)	1	01,02
	07	D3304	-----	MA8062/M/-X	Z DIODE	(Addition)	1	01,02
	07	D3305	-----	MA8062/M/-X	Z DIODE	(Addition)	1	01,02
	07	D3306	-----	MA8062/M/-X	Z DIODE	(Addition)	1	01,02
	07	D3307	-----	MA8062/M/-X	Z DIODE	(Addition)	1	01,02
	07	D3308	-----	MA8062/M/-X	Z DIODE	(Addition)	1	01,02
	07	D3411	-----	MA111-X	SI DIODE	(Addition)	1	01,02
	07	D3412	-----	MA111-X	SI DIODE	(Addition)	1	01,02
	07	D3421	-----	MA111-X	SI DIODE	(Addition)	1	01,02

△	Symbol	or	Part No.		Part Name	Description	Qty	Models
			<Rev.001>	<Rev.002>				
07	D3422		-----	MA111-X	SI DIODE	(Addition)	1	01,02
07	D3711		-----	MA24D50-X	DIODE	(Addition)	1	01,02
07	D3721		-----	MA24D50-X	DIODE	(Addition)	1	01,02
07	D3741		-----	MA8120/M/-X	Z DIODE	(Addition)	1	01,02
07	D3742		-----	MA22D39-X	SB DIODE	(Addition)	1	01,02
07	D3743		-----	MA8024-X	Z DIODE	(Addition)	1	01,02
07	D3744		-----	MA2SD31-X	SB DIODE	(Addition)	1	01,02
07	D3745		-----	MA2SD31-X	SB DIODE	(Addition)	1	01,02
07	D3746		-----	MA2SD31-X	SB DIODE	(Addition)	1	01,02
07	D3747		-----	MA2SD31-X	SB DIODE	(Addition)	1	01,02
07	D3748		-----	MA8180/H/-X	Z DIODE	(Addition)	1	01,02
07	D3801		-----	MA8110/M/-X	Z DIODE	(Addition)	1	01,02
07	D3802		-----	MA8110/M/-X	Z DIODE	(Addition)	1	01,02
07	D3922		-----	MA111-X	SI DIODE	(Addition)	1	02
07	C3001		-----	NDC31HJ-102X	C CAPACITOR	(Addition)	1	01,02
07	C3002		-----	NDC31HJ-102X	C CAPACITOR	(Addition)	1	01,02
07	C3003		-----	NDC31HJ-101X	C CAPACITOR	(Addition)	1	01,02
07	C3004		-----	NCB31CK-104X	C CAPACITOR	(Addition)	1	01,02
07	C3005		-----	NCB31CK-104X	C CAPACITOR	(Addition)	1	01,02
07	C3006		-----	NCB31CK-104X	C CAPACITOR	(Addition)	1	01,02
07	C3031		-----	NCJ11EK-106X-R	C CAPACITOR	(Addition)	1	01,02
07	C3032		-----	NCJ11EK-106X-R	C CAPACITOR	(Addition)	1	01,02
07	C3033		-----	QEKJ1CM-107Z	E CAPACITOR	(Addition)	1	01,02
07	C3034		-----	NCJ11EK-106X-R	C CAPACITOR	(Addition)	1	01,02
07	C3035		-----	QEKJ1CM-107Z	E CAPACITOR	(Addition)	1	01,02
07	C3036		-----	NCJ11EK-106X-R	C CAPACITOR	(Addition)	1	01,02
07	C3037		-----	QEKJ1CM-107Z	E CAPACITOR	(Addition)	1	01,02
07	C3038		-----	NCJ11EK-106X-R	C CAPACITOR	(Addition)	1	01,02
07	C3039		-----	NCJ11EK-106X-R	C CAPACITOR	(Addition)	1	01,02
07	C3040		-----	NCJ11EK-106X-R	C CAPACITOR	(Addition)	1	01,02
07	C3041		-----	QEKJ1CM-107Z	E CAPACITOR	(Addition)	1	01,02
07	C3042		-----	NDC31HJ-471X	C CAPACITOR	(Addition)	1	01,02
07	C3043		-----	NCJ11EK-106X-R	C CAPACITOR	(Addition)	1	01,02
07	C3045		-----	QERF1EM-107Z	E CAPACITOR	(Addition)	1	01,02
07	C3046		-----	NCJ11EK-106X-R	C CAPACITOR	(Addition)	1	01,02
07	C3101		-----	QEKJ1CM-476Z	E CAPACITOR	(Addition)	1	01,02
07	C3102		-----	NCB31CK-104X	C CAPACITOR	(Addition)	1	01,02
07	C3105		-----	NCB31CK-104X	C CAPACITOR	(Addition)	1	01,02
07	C3106		-----	NCB31CK-104X	C CAPACITOR	(Addition)	1	01,02
07	C3201		-----	NCB31HK-102X	C CAPACITOR	(Addition)	1	01
07	C3202		-----	NCB31HK-102X	C CAPACITOR	(Addition)	1	01
07	C3203		-----	NDC31HJ-101X	C CAPACITOR	(Addition)	1	01
07	C3204		-----	NCB31HK-104X	C CAPACITOR	(Addition)	1	01
07	C3205		-----	NCB31HK-104X	C CAPACITOR	(Addition)	1	01
07	C3206		-----	NCB31HK-104X	C CAPACITOR	(Addition)	1	01
07	C3211		-----	NCB31HK-102X	C CAPACITOR	(Addition)	1	01
07	C3212		-----	NCB31HK-102X	C CAPACITOR	(Addition)	1	01
07	C3213		-----	QEKJ1CM-476Z	E CAPACITOR	(Addition)	1	01,02
07	C3214		-----	NCB31EK-473X	C CAPACITOR	(Addition)	1	01
07	C3251		-----	NCB31CK-104X	C CAPACITOR	(Addition)	1	01,02
07	C3301		-----	NDC31HJ-470X	C CAPACITOR	(Addition)	1	01,02
07	C3303		-----	NDC31HJ-101X	C CAPACITOR	(Addition)	1	01,02
07	C3304		-----	NDC31HJ-101X	C CAPACITOR	(Addition)	1	01,02
07	C3305		-----	NCB31HK-473X	C CAPACITOR	(Addition)	1	01,02
07	C3307		-----	NDC31HJ-470X	C CAPACITOR	(Addition)	1	01,02
07	C3308		-----	NDC31HJ-101X	C CAPACITOR	(Addition)	1	01,02
07	C3309		-----	NDC31HJ-101X	C CAPACITOR	(Addition)	1	02
07	C3310		-----	NDC31HJ-101X	C CAPACITOR	(Addition)	1	01,02
07	C3311		-----	NDC31HJ-471X	C CAPACITOR	(Addition)	1	01,02
07	C3411		-----	QEKJ1EM-106Z	E CAPACITOR	(Addition)	1	01,02
07	C3412		-----	QEKJ1EM-106Z	E CAPACITOR	(Addition)	1	01,02
07	C3413		-----	NCB31HK-102X	C CAPACITOR	(Addition)	1	01,02
07	C3414		-----	QEKJ1CM-476Z	E CAPACITOR	(Addition)	1	01,02
07	C3415		-----	NCB31CK-104X	C CAPACITOR	(Addition)	1	01,02
07	C3421		-----	QEKJ1EM-106Z	E CAPACITOR	(Addition)	1	01,02
07	C3422		-----	QEKJ1EM-106Z	E CAPACITOR	(Addition)	1	01,02
07	C3423		-----	NCB31HK-102X	C CAPACITOR	(Addition)	1	01,02
07	C3425		-----	NCB31CK-104X	C CAPACITOR	(Addition)	1	01,02

△	Symbol	or	Part No.		Part Name	Description	Qty	Models
			<Rev.001>	<Rev.002>				
07	C3431		-----	NCB31CK-105X	C CAPACITOR	(Addition)	1	01,02
07	C3432		-----	NCB31CK-105X	C CAPACITOR	(Addition)	1	01,02
07	C3433		-----	NCB31CK-105X	C CAPACITOR	(Addition)	1	01,02
07	C3435		-----	NCB31HK-104X	C CAPACITOR	(Addition)	1	01,02
07	C3441		-----	NCB31CK-105X	C CAPACITOR	(Addition)	1	01,02
07	C3442		-----	NCB31CK-105X	C CAPACITOR	(Addition)	1	01,02
07	C3443		-----	NCB31CK-105X	C CAPACITOR	(Addition)	1	01,02
07	C3444		-----	QEKJ1CM-476Z	E CAPACITOR	(Addition)	1	01,02
07	C3445		-----	NCB31HK-104X	C CAPACITOR	(Addition)	1	01,02
07	C3451		-----	QEKJ0JM-337Z	E CAPACITOR	(Addition)	1	01,02
07	C3453		-----	NCB31CK-105X	C CAPACITOR	(Addition)	1	01,02
07	C3454		-----	NCB31HK-104X	C CAPACITOR	(Addition)	1	01,02
07	C3501		-----	QEKJ1CM-476Z	E CAPACITOR	(Addition)	1	01,02
07	C3504		-----	NCB31CK-104X	C CAPACITOR	(Addition)	1	01,02
07	C3505		-----	QEKJ1CM-107Z	E CAPACITOR	(Addition)	1	01,02
07	C3507		-----	NCB31CK-104X	C CAPACITOR	(Addition)	1	01,02
07	C3551		-----	QEKJ1EM-106Z	E CAPACITOR	(Addition)	1	01,02
07	C3552		-----	NCB31HK-103X	C CAPACITOR	(Addition)	1	01,02
07	C3553		-----	NDC31HJ-101X	C CAPACITOR	(Addition)	1	01,02
07	C3701		-----	QETN1EM-477Z	E CAPACITOR	(Addition)	1	01,02
07	C3702		-----	QERF1EM-107Z	E CAPACITOR	(Addition)	1	01,02
07	C3703		-----	NCJ11EK-106X-R	C CAPACITOR	(Addition)	1	01,02
07	C3711		-----	NCJ11EK-106X-R	C CAPACITOR	(Addition)	1	01,02
07	C3712		-----	QEKJ1CM-107Z	E CAPACITOR	(Addition)	1	01,02
07	C3713		-----	NCJ11EK-106X-R	C CAPACITOR	(Addition)	1	01,02
07	C3714		-----	NCB31CK-104X	C CAPACITOR	(Addition)	1	01,02
07	C3715		-----	NCB31HK-472X	C CAPACITOR	(Addition)	1	01,02
07	C3721		-----	NCJ11EK-106X-R	C CAPACITOR	(Addition)	1	01,02
07	C3722		-----	QEKJ1CM-107Z	E CAPACITOR	(Addition)	1	01,02
07	C3723		-----	NCJ11EK-106X-R	C CAPACITOR	(Addition)	1	01,02
07	C3724		-----	NCB31CK-104X	C CAPACITOR	(Addition)	1	01,02
07	C3725		-----	NCB31HK-472X	C CAPACITOR	(Addition)	1	01,02
07	C3732		-----	QEKJ1EM-106Z	E CAPACITOR	(Addition)	1	01,02
07	C3741		-----	NCB11EK-105X	C CAPACITOR	(Addition)	1	01,02
07	C3742		-----	NCJ11EK-106X-R	C CAPACITOR	(Addition)	1	01,02
07	C3743		-----	NCB11EK-105X	C CAPACITOR	(Addition)	1	01,02
07	C3744		-----	NDC31HJ-220X	C CAPACITOR	(Addition)	1	01,02
07	C3745		-----	NCB11EK-105X	C CAPACITOR	(Addition)	1	01,02
07	C3746		-----	NCB11EK-105X	C CAPACITOR	(Addition)	1	01,02
07	C3747		-----	NCB31HK-103X	C CAPACITOR	(Addition)	1	01,02
07	C3748		-----	NCB11EK-105X	C CAPACITOR	(Addition)	1	01,02
07	C3749		-----	NCJ11EK-106X-R	C CAPACITOR	(Addition)	1	01,02
07	C3750		-----	NCJ11EK-106X-R	C CAPACITOR	(Addition)	1	01,02
07	C3751		-----	NCB31HK-103X	C CAPACITOR	(Addition)	1	01,02
07	C3752		-----	NCB31CK-105X	C CAPACITOR	(Addition)	1	01,02
07	C3753		-----	NCJ11EK-106X-R	C CAPACITOR	(Addition)	1	01,02
07	C3754		-----	NCB11EK-105X	C CAPACITOR	(Addition)	1	01,02
07	C3755		-----	NDC31HJ-471X	C CAPACITOR	(Addition)	1	01,02
07	C3756		-----	NCB31CK-105X	C CAPACITOR	(Addition)	1	01,02
07	C3802		-----	NDC31HJ-101X	C CAPACITOR	(Addition)	1	01,02
07	C3803		-----	NCB31CK-105X	C CAPACITOR	(Addition)	1	01,02
07	C3804		-----	NCB31CK-105X	C CAPACITOR	(Addition)	1	01,02
07	C3805		-----	NDC31HJ-561X	C CAPACITOR	(Addition)	1	01,02
07	C3806		-----	QEKJ1CM-476Z	E CAPACITOR	(Addition)	1	01,02
07	C3807		-----	NCB31EK-333X	C CAPACITOR	(Addition)	1	01,02
07	C3808		-----	NCB31EK-333X	C CAPACITOR	(Addition)	1	01,02
07	C3809		-----	NCB31HK-104X	C CAPACITOR	(Addition)	1	01,02
07	C3810		-----	NDC31HJ-561X	C CAPACITOR	(Addition)	1	01,02
07	C3811		-----	NCJ11EK-106X-R	C CAPACITOR	(Addition)	1	01,02
07	C3812		-----	NCB31CK-105X	C CAPACITOR	(Addition)	1	01,02
07	C3813		-----	NCJ11EK-106X-R	C CAPACITOR	(Addition)	1	01,02
07	C3814		-----	NCB31HK-104X	C CAPACITOR	(Addition)	1	01,02
07	C3911		-----	NCB31CK-104X	C CAPACITOR	(Addition)	1	01,02
07	C3912		-----	NDC31HJ-101X	C CAPACITOR	(Addition)	1	01,02
07	C3921		-----	NDC31HJ-101X	C CAPACITOR	(Addition)	1	02
07	C3922		-----	NCB31HK-472X	C CAPACITOR	(Addition)	1	02
07	C3923		-----	NCB31HK-102X	C CAPACITOR	(Addition)	1	02
07	C3924		-----	NCB31HK-104X	C CAPACITOR	(Addition)	1	02

△	Symbol	or	Part No.		Part Name	Description	Qty	Models
			<Rev.001>	<Rev.002>				
07	R3002		-----	NRSA63J-101X	MG RESISTOR	(Addition)	1	01,02
07	R3003		-----	NRSA63J-101X	MG RESISTOR	(Addition)	1	01,02
07	R3004		-----	NRSA63J-101X	MG RESISTOR	(Addition)	1	01,02
07	R3005		-----	NRSA63J-101X	MG RESISTOR	(Addition)	1	01,02
07	R3006		-----	NRSA63J-101X	MG RESISTOR	(Addition)	1	01,02
07	R3007		-----	NRSA63J-101X	MG RESISTOR	(Addition)	1	01,02
07	R3008		-----	NRSA63J-101X	MG RESISTOR	(Addition)	1	01,02
07	R3009		-----	NRSA63J-101X	MG RESISTOR	(Addition)	1	01,02
07	R3010		-----	NRSA63J-101X	MG RESISTOR	(Addition)	1	01,02
07	R3011		-----	NRSA63J-101X	MG RESISTOR	(Addition)	1	01,02
07	R3012		-----	NRSA63J-101X	MG RESISTOR	(Addition)	1	01,02
07	R3013		-----	NRSA63J-101X	MG RESISTOR	(Addition)	1	01,02
07	R3014		-----	NRSA63J-101X	MG RESISTOR	(Addition)	1	01,02
07	R3015		-----	NRSA63J-101X	MG RESISTOR	(Addition)	1	01,02
07	R3016		-----	NRSA63J-101X	MG RESISTOR	(Addition)	1	01,02
07	R3017		-----	NRSA63J-101X	MG RESISTOR	(Addition)	1	01,02
07	R3018		-----	NRSA63J-101X	MG RESISTOR	(Addition)	1	01,02
07	R3019		-----	NRSA63J-101X	MG RESISTOR	(Addition)	1	01,02
07	R3020		-----	NRSA63J-101X	MG RESISTOR	(Addition)	1	01,02
07	R3021		-----	NRSA63J-101X	MG RESISTOR	(Addition)	1	01,02
07	R3022		-----	NRSA63J-101X	MG RESISTOR	(Addition)	1	01,02
07	R3023		-----	NRSA63J-101X	MG RESISTOR	(Addition)	1	01,02
07	R3031		-----	NRSA63J-101X	MG RESISTOR	(Addition)	1	01,02
07	R3032		-----	NRSA63J-101X	MG RESISTOR	(Addition)	1	01,02
07	R3033		-----	NRS125J-R22X	MG RESISTOR	(Addition)	1	01,02
07	R3034		-----	NRS125J-R22X	MG RESISTOR	(Addition)	1	01,02
07	R3035		-----	NRSA63J-104X	MG RESISTOR	(Addition)	1	01,02
07	R3036		-----	NRSA63J-104X	MG RESISTOR	(Addition)	1	01,02
07	R3037		-----	NRS125J-R22X	MG RESISTOR	(Addition)	1	01,02
07	R3038		-----	NRS125J-R22X	MG RESISTOR	(Addition)	1	01,02
07	R3101		-----	NRSA63J-0R0X	MG RESISTOR	(Addition)	1	01,02
07	R3102		-----	NRSA63J-103X	MG RESISTOR	(Addition)	1	01,02
07	R3103		-----	NRSA63J-0R0X	MG RESISTOR	(Addition)	1	01,02
07	R3104		-----	NRSA63J-103X	MG RESISTOR	(Addition)	1	01,02
07	R3105		-----	NRSA63J-102X	MG RESISTOR	(Addition)	1	01,02
07	R3106		-----	NRSA63J-102X	MG RESISTOR	(Addition)	1	01
07	R3107		-----	NRSA63J-102X	MG RESISTOR	(Addition)	1	01
07	R3108		-----	NRSA63J-102X	MG RESISTOR	(Addition)	1	01
07	R3109		-----	NRSA63J-102X	MG RESISTOR	(Addition)	1	01,02
07	R3110		-----	NRSA63J-103X	MG RESISTOR	(Addition)	1	01,02
07	R3111		-----	NRSA63J-102X	MG RESISTOR	(Addition)	1	01,02
07	R3113		-----	NRSA63J-102X	MG RESISTOR	(Addition)	1	01
07	R3114		-----	NRSA63J-102X	MG RESISTOR	(Addition)	1	01
07	R3115		-----	NRSA63J-102X	MG RESISTOR	(Addition)	1	01
07	R3116		-----	NRSA63J-103X	MG RESISTOR	(Addition)	1	01,02
07	R3117		-----	NRSA63J-103X	MG RESISTOR	(Addition)	1	01,02
07	R3118		-----	NRSA63J-102X	MG RESISTOR	(Addition)	1	01,02
07	R3124		-----	NRSA63J-103X	MG RESISTOR	(Addition)	1	01,02
07	R3125		-----	NRSA63J-101X	MG RESISTOR	(Addition)	1	01,02
07	R3126		-----	NRSA63J-472X	MG RESISTOR	(Addition)	1	01,02
07	R3127		-----	NRSA63J-102X	MG RESISTOR	(Addition)	1	01,02
07	R3128		-----	NRSA63J-0R0X	MG RESISTOR	(Addition)	1	01,02
07	R3129		-----	NRSA63J-103X	MG RESISTOR	(Addition)	1	01,02
07	R3130		-----	NRSA63J-103X	MG RESISTOR	(Addition)	1	02
07	R3131		-----	NRSA63J-103X	MG RESISTOR	(Addition)	1	02
07	R3132		-----	NRSA63J-103X	MG RESISTOR	(Addition)	1	02
07	R3134		-----	NRSA63J-223X	MG RESISTOR	(Addition)	1	01,02
07	R3135		-----	NRSA63J-101X	MG RESISTOR	(Addition)	1	01,02
07	R3136		-----	NRSA63J-103X	MG RESISTOR	(Addition)	1	01,02
07	R3137		-----	NRSA63J-103X	MG RESISTOR	(Addition)	1	01,02
07	R3201		-----	NRSA63J-151X	MG RESISTOR	(Addition)	1	01
07	R3202		-----	NRSA63J-151X	MG RESISTOR	(Addition)	1	01
07	R3203		-----	NRSA63J-0R0X	MG RESISTOR	(Addition)	1	01
07	R3211		-----	NRSA63J-102X	MG RESISTOR	(Addition)	1	01
07	R3212		-----	NRSA63J-104X	MG RESISTOR	(Addition)	1	01
07	R3213		-----	NRSA63J-104X	MG RESISTOR	(Addition)	1	01
07	R3214		-----	NRSA63J-392X	MG RESISTOR	(Addition)	1	01
07	R3215		-----	NRSA63J-682X	MG RESISTOR	(Addition)	1	01

△	Symbol	or	Part No.		Part Name	Description	Qty	Models
			<Rev.001>	<Rev.002>				
07	R3216		-----	NRSA63J-102X	MG RESISTOR	(Addition)	1	01
07	R3217		-----	NRSA63J-104X	MG RESISTOR	(Addition)	1	01
07	R3218		-----	NRSA63J-101X	MG RESISTOR	(Addition)	1	01
07	R3219		-----	NRSA63J-101X	MG RESISTOR	(Addition)	1	01
07	R3220		-----	NRSA63J-104X	MG RESISTOR	(Addition)	1	01
07	R3221		-----	NRSA63J-102X	MG RESISTOR	(Addition)	1	01
07	R3222		-----	NRSA63J-104X	MG RESISTOR	(Addition)	1	01
07	R3223		-----	NRSA63J-392X	MG RESISTOR	(Addition)	1	01
07	R3224		-----	NRSA63J-682X	MG RESISTOR	(Addition)	1	01
07	R3251		-----	NRS181J-0R0X	MG RESISTOR	(Addition)	1	01,02
07	R3301		-----	NRSA63J-750X	MG RESISTOR	(Addition)	1	01,02
07	R3303		-----	NRSA63J-222X	MG RESISTOR	(Addition)	1	01,02
07	R3304		-----	NRSA63J-222X	MG RESISTOR	(Addition)	1	01,02
07	R3305		-----	NRSA63J-223X	MG RESISTOR	(Addition)	1	01,02
07	R3306		-----	NRSA63J-223X	MG RESISTOR	(Addition)	1	01,02
07	R3307		-----	NRSA63J-471X	MG RESISTOR	(Addition)	1	01,02
07	R3308		-----	NRSA63J-0R0X	MG RESISTOR	(Addition)	1	01,02
07	R3309		-----	NRSA63J-0R0X	MG RESISTOR	(Addition)	1	01,02
07	R3310		-----	NRSA63J-0R0X	MG RESISTOR	(Addition)	1	01,02
07	R3311		-----	NRSA63J-0R0X	MG RESISTOR	(Addition)	1	01,02
07	R3312		-----	NRSA63J-0R0X	MG RESISTOR	(Addition)	1	01,02
07	R3313		-----	NRSA63J-271X	MG RESISTOR	(Addition)	1	01,02
07	R3314		-----	NRSA63J-101X	MG RESISTOR	(Addition)	1	02
07	R3315		-----	NRSA63J-101X	MG RESISTOR	(Addition)	1	01,02
07	R3411		-----	NRSA63J-471X	MG RESISTOR	(Addition)	1	01,02
07	R3412		-----	NRSA63J-471X	MG RESISTOR	(Addition)	1	01,02
07	R3414		-----	NRSA63J-390X	MG RESISTOR	(Addition)	1	01,02
07	R3421		-----	NRSA63J-471X	MG RESISTOR	(Addition)	1	01,02
07	R3422		-----	NRSA63J-471X	MG RESISTOR	(Addition)	1	01,02
07	R3424		-----	NRSA63J-390X	MG RESISTOR	(Addition)	1	01,02
07	R3431		-----	NRSA63J-332X	MG RESISTOR	(Addition)	1	01,02
07	R3432		-----	NRSA63J-181X	MG RESISTOR	(Addition)	1	01,02
07	R3434		-----	NRSA63J-0R0X	MG RESISTOR	(Addition)	1	01,02
07	R3451		-----	NRSA63J-0R0X	MG RESISTOR	(Addition)	1	01,02
07	R3452		-----	NRSA63J-0R0X	MG RESISTOR	(Addition)	1	01,02
07	R3504		-----	NRSA63J-473X	MG RESISTOR	(Addition)	1	01,02
07	R3508		-----	NRSA63J-473X	MG RESISTOR	(Addition)	1	01,02
07	R3510		-----	NRSA63J-473X	MG RESISTOR	(Addition)	1	01,02
07	R3513		-----	NRSA63J-473X	MG RESISTOR	(Addition)	1	01,02
07	R3515		-----	NRSA63J-473X	MG RESISTOR	(Addition)	1	01,02
07	R3516		-----	NRSA63J-0R0X	MG RESISTOR	(Addition)	1	01,02
07	R3517		-----	NRSA63J-0R0X	MG RESISTOR	(Addition)	1	01,02
07	R3518		-----	NRSA63J-224X	MG RESISTOR	(Addition)	1	01,02
07	R3519		-----	NRSA63J-224X	MG RESISTOR	(Addition)	1	01,02
07	R3551		-----	NRSA63J-0R0X	MG RESISTOR	(Addition)	1	01,02
07	R3711		-----	NRSA63D-224X	MG RESISTOR	(Addition)	1	01,02
07	R3712		-----	NRSA63J-154X	MG RESISTOR	(Addition)	1	01,02
07	R3713		-----	NRSA63D-623X	MG RESISTOR	(Addition)	1	01,02
07	R3714		-----	NRSA63D-224X	MG RESISTOR	(Addition)	1	01,02
07	R3715		-----	NRSA63D-103X	MG RESISTOR	(Addition)	1	01,02
07	R3721		-----	NRSA63D-224X	MG RESISTOR	(Addition)	1	01,02
07	R3722		-----	NRSA63J-154X	MG RESISTOR	(Addition)	1	01,02
07	R3723		-----	NRSA63D-243X	MG RESISTOR	(Addition)	1	01,02
07	R3725		-----	NRSA63D-103X	MG RESISTOR	(Addition)	1	01,02
07	R3741		-----	NRSA63J-154X	MG RESISTOR	(Addition)	1	01,02
07	R3742		-----	NRSA63J-473X	MG RESISTOR	(Addition)	1	01,02
07	R3743		-----	NRSA63J-104X	MG RESISTOR	(Addition)	1	01,02
07	R3744		-----	NRSA63J-682X	MG RESISTOR	(Addition)	1	01,02
07	R3745		-----	NRSA63D-184X	MG RESISTOR	(Addition)	1	01,02
07	R3746		-----	NRSA63D-203X	MG RESISTOR	(Addition)	1	01,02
07	R3747		-----	NRSA63J-331X	MG RESISTOR	(Addition)	1	01,02
07	R3748		-----	NRSA63J-104X	MG RESISTOR	(Addition)	1	01,02
07	R3749		-----	NRSA63J-102X	MG RESISTOR	(Addition)	1	01,02
07	R3750		-----	NRSA63J-0R0X	MG RESISTOR	(Addition)	1	01,02
07	R3751		-----	NRSA63J-202X	MG RESISTOR	(Addition)	1	01,02
07	R3752		-----	NRSA63J-223X	MG RESISTOR	(Addition)	1	01,02
07	R3753		-----	NRSA63J-562X	MG RESISTOR	(Addition)	1	01,02
07	R3801		-----	NRSA63J-122X	MG RESISTOR	(Addition)	1	01,02

△	Symbol	or	Part No.		Part Name	Description	Qty	Models
			<Rev.001>	<Rev.002>				
	07	R3802	-----	NRSA63J-122X	MG RESISTOR	(Addition)	1	01,02
	07	R3803	-----	NRSA63J-333X	MG RESISTOR	(Addition)	1	01,02
	07	R3804	-----	NRSA63J-822X	MG RESISTOR	(Addition)	1	01,02
	07	R3805	-----	NRSA63J-822X	MG RESISTOR	(Addition)	1	01,02
	07	R3806	-----	NRSA63J-223X	MG RESISTOR	(Addition)	1	01,02
	07	R3807	-----	NRSA63J-223X	MG RESISTOR	(Addition)	1	01,02
	07	R3808	-----	NRSA63J-333X	MG RESISTOR	(Addition)	1	01,02
	07	R3809	-----	NRSA63J-822X	MG RESISTOR	(Addition)	1	01,02
	07	R3810	-----	NRSA63J-333X	MG RESISTOR	(Addition)	1	01,02
	07	R3811	-----	NRSA63J-100X	MG RESISTOR	(Addition)	1	01,02
	07	R3812	-----	NRSA63J-680X	MG RESISTOR	(Addition)	1	01,02
	07	R3813	-----	NRSA63J-680X	MG RESISTOR	(Addition)	1	01,02
	07	R3911	-----	NRSA63J-0R0X	MG RESISTOR	(Addition)	1	01,02
	07	R3912	-----	NRSA63J-103X	MG RESISTOR	(Addition)	1	01,02
	07	R3914	-----	NRSA63J-473X	MG RESISTOR	(Addition)	1	01,02
	07	R3921	-----	NRSA63J-513X	MG RESISTOR	(Addition)	1	02
	07	R3922	-----	NRSA63J-513X	MG RESISTOR	(Addition)	1	02
	07	R3923	-----	NRSA63J-513X	MG RESISTOR	(Addition)	1	02
	07	R3924	-----	NRSA63J-683X	MG RESISTOR	(Addition)	1	02
	07	R3925	-----	NRSA63J-683X	MG RESISTOR	(Addition)	1	02
	07	R3926	-----	NRSA63J-103X	MG RESISTOR	(Addition)	1	02
	07	R3927	-----	NRSA63J-513X	MG RESISTOR	(Addition)	1	02
	07	R3928	-----	NRSA63J-563X	MG RESISTOR	(Addition)	1	02
	07	R3929	-----	NRSA63J-683X	MG RESISTOR	(Addition)	1	02
	07	R3930	-----	NRSA63J-104X	MG RESISTOR	(Addition)	1	02
	07	R3931	-----	NRSA63J-822X	MG RESISTOR	(Addition)	1	02
	07	RA341	-----	NRZ0065-301X	MG RESISTOR	(Addition)	1	01,02
	07	RA342	-----	NRZ0065-301X	MG RESISTOR	(Addition)	1	01,02
	07	L3101	-----	NQL79GK-100X	COIL	(Addition)	1	01,02
	07	L3201	-----	NQLC8CN-4R9X	COIL	(Addition)	1	01
	07	L3401	-----	NQL79GK-470X	COIL	(Addition)	1	01,02
	07	L3701	-----	NQLC8CN-4R9X	COIL	(Addition)	1	01,02
	07	L3711	-----	NQL71EM-330X	COIL	(Addition)	1	01,02
	07	L3721	-----	NQL71EM-330X	COIL	(Addition)	1	01,02
	07	L3741	-----	NQL79GK-100X	COIL	(Addition)	1	01,02
	07	L3742	-----	NQLZ007-4R7X	COIL	(Addition)	1	01,02
	07	L3743	-----	NQL79GK-470X	COIL	(Addition)	1	01,02
	07	L3801	-----	NQL79GK-470X	COIL	(Addition)	1	01,02
	07	BK331	-----	LV36554-002A	CONNECTOR BKT	(Addition)	1	01
	07	BK381	-----	LV38639-001A	MIC BKT	(Addition)	1	01
	07	CN301	-----	QGB0815K1-60X	CONNECTOR	(Addition)	1	01,02
	07	CN302	-----	QGB1004K2-30W	CONNECTOR	(Addition)	1	01,02
	07	CN321	-----	QNZ0095-001	CONNECTOR	(Addition)	1	01
	07	CN325	-----	QGA2001C7-02X	CONNECTOR	(Addition)	1	01,02
	07	CN331	-----	QGA2015F1-14	CONNECTOR	(Addition)	1	01,02
	07	CN351	-----	QGB2027M4-30S	CONNECTOR	(Addition)	1	01,02
	07	EP301	-----	NNZ0165-001X	EARTH TERMINAL	(Addition)	1	01,02
	07	EP302	-----	NNZ0165-001X	EARTH TERMINAL	(Addition)	1	01,02
	07	EP303	-----	NNZ0165-001X	EARTH TERMINAL	(Addition)	1	01,02
	07	EP304	-----	NNZ0165-001X	EARTH TERMINAL	(Addition)	1	01,02
	07	EP305	-----	NNZ0165-001X	EARTH TERMINAL	(Addition)	1	01,02
△	07	F3001	-----	NMFZ018-R75X-E	FUSE	(Addition)	1	02
	07	F3001	-----	NMFZ018-R75X-E	FUSE	(Addition)	1	01
△	07	F3031	-----	NMFZ018-4R0X-E	FUSE	(Addition)	1	02
	07	F3031	-----	NMFZ018-4R0X-E	FUSE	(Addition)	1	01
△	07	F3032	-----	NMFZ018-4R0X-E	FUSE	(Addition)	1	02
	07	F3032	-----	NMFZ018-4R0X-E	FUSE	(Addition)	1	01
	07	J3801	-----	QNS0283-001	STEERING REMOTE	(Addition)	1	01,02
	07	K3001	-----	NQR0201-004X	FERRITE BEADS	(Addition)	1	01,02
	07	K3002	-----	NQR0201-004X	FERRITE BEADS	(Addition)	1	01,02
	07	K3551	-----	NQR0022-005X	FERRITE BEADS	(Addition)	1	01,02
	07	K3801	-----	NRSA63J-0R0X	MG RESISTOR	(Addition)	1	01,02
	07	K3802	-----	NRSA63J-0R0X	MG RESISTOR	(Addition)	1	01,02
	07	PP3	-----	QZW0010-001	STYLE PIN	(Addition)	1	01,02
	07	S3001	-----	NSW0126-001X	DETECT SWITCH	(Addition)	1	01,02

Detach board common [08]

△	Symbol	or	Part No.		Part Name	Description	Qty	Models
			<Rev.001>	<Rev.002>				
08	IC401		-----	RUQ050N02-W	MOS FET	(Addition)	1	01,02
08	IC451		-----	BA00CC0WFP-X	IC	(Addition)	1	01,02
08	IC452		-----	BA00CC0WFP-X	IC	(Addition)	1	01,02
08	IC453		-----	NJM4580E-X	IC	(Addition)	1	01,02
08	Q451		-----	2SC1623A/5-6/-X	TRANSISTOR	(Addition)	1	01,02
08	D401		-----	MA8062/M/-X	Z DIODE	(Addition)	1	01,02
08	D402		-----	MA8062/M/-X	Z DIODE	(Addition)	1	01,02
08	D403		-----	MA8062/M/-X	Z DIODE	(Addition)	1	01,02
08	D404		-----	MA8062/M/-X	Z DIODE	(Addition)	1	01,02
08	D405		-----	MA8062/M/-X	Z DIODE	(Addition)	1	01,02
08	D406		-----	MA8062/M/-X	Z DIODE	(Addition)	1	01,02
08	D407		-----	MA8062/M/-X	Z DIODE	(Addition)	1	01,02
08	D408		-----	MA8062/M/-X	Z DIODE	(Addition)	1	01,02
08	D409		-----	MA8062/M/-X	Z DIODE	(Addition)	1	01,02
08	D410		-----	MA8062/M/-X	Z DIODE	(Addition)	1	01,02
08	D411		-----	MA8062/M/-X	Z DIODE	(Addition)	1	01,02
08	D412		-----	MA8062/M/-X	Z DIODE	(Addition)	1	01,02
08	D413		-----	MA8062/M/-X	Z DIODE	(Addition)	1	01,02
08	D414		-----	MA8062/M/-X	Z DIODE	(Addition)	1	01,02
08	D415		-----	MA8062/M/-X	Z DIODE	(Addition)	1	01,02
08	D416		-----	MA8062/M/-X	Z DIODE	(Addition)	1	01,02
08	D417		-----	MA8062/M/-X	Z DIODE	(Addition)	1	01,02
08	D418		-----	MA8062/M/-X	Z DIODE	(Addition)	1	01,02
08	D419		-----	MA8062/M/-X	Z DIODE	(Addition)	1	01,02
08	D420		-----	MA8062/M/-X	Z DIODE	(Addition)	1	01,02
08	D421		-----	MA8062/M/-X	Z DIODE	(Addition)	1	01,02
08	D422		-----	MA8062/M/-X	Z DIODE	(Addition)	1	01,02
08	D423		-----	MA8062/M/-X	Z DIODE	(Addition)	1	01,02
08	D451		-----	CRS03-W	SB DIODE	(Addition)	1	01,02
08	D452		-----	CRS03-W	SB DIODE	(Addition)	1	01,02
08	D453		-----	CRS03-W	SB DIODE	(Addition)	1	01,02
08	D454		-----	MA8056/H/-X	Z DIODE	(Addition)	1	01,02
08	D458		-----	CRS03-W	SB DIODE	(Addition)	1	01,02
08	D459		-----	CRS03-W	SB DIODE	(Addition)	1	01,02
08	D491		-----	NECBB205/WPQR/X	LED	(Addition)	1	01,02
08	D4531		-----	MA8051/M/-X	Z DIODE	(Addition)	1	01,02
08	D4541		-----	MA8051/M/-X	Z DIODE	(Addition)	1	01,02
08	C451		-----	NEAF1CM-476X	E CAPACITOR	(Addition)	1	01,02
08	C452		-----	NEAF1CM-107X	E CAPACITOR	(Addition)	1	01,02
08	C453		-----	NCB31CK-104X	C CAPACITOR	(Addition)	1	01,02
08	C454		-----	NEAF1CM-476X	E CAPACITOR	(Addition)	1	01,02
08	C455		-----	NEAF1CM-107X	E CAPACITOR	(Addition)	1	01,02
08	C456		-----	NCB31CK-104X	C CAPACITOR	(Addition)	1	01,02
08	C457		-----	NEAF1CM-107X	E CAPACITOR	(Addition)	1	01,02
08	C458		-----	NEAF1CM-107X	E CAPACITOR	(Addition)	1	01,02
08	C4501		-----	NCB31CK-104X	C CAPACITOR	(Addition)	1	01,02
08	C4503		-----	NDC31HJ-471X	C CAPACITOR	(Addition)	1	01,02
08	C4504		-----	NCB31CK-104X	C CAPACITOR	(Addition)	1	01,02
08	C4505		-----	NCB31CK-104X	C CAPACITOR	(Addition)	1	01,02
08	C4506		-----	NCB31CK-104X	C CAPACITOR	(Addition)	1	01,02
08	C4507		-----	NCB31HK-103X	C CAPACITOR	(Addition)	1	01,02
08	C4508		-----	NDC31HJ-101X	C CAPACITOR	(Addition)	1	01,02
08	C4509		-----	NCB31CK-104X	C CAPACITOR	(Addition)	1	01,02
08	C4531		-----	NEAF1EM-475X	E CAPACITOR	(Addition)	1	01,02
08	C4532		-----	NDC31HJ-821X	C CAPACITOR	(Addition)	1	01,02
08	C4533		-----	NDC31HJ-681X	C CAPACITOR	(Addition)	1	01,02
08	C4534		-----	NEAF1CM-107X	E CAPACITOR	(Addition)	1	01,02
08	C4535		-----	NEAF1EM-475X	E CAPACITOR	(Addition)	1	01,02
08	C4536		-----	NEAF1CM-107X	E CAPACITOR	(Addition)	1	01,02
08	C4538		-----	NDC31HJ-331X	C CAPACITOR	(Addition)	1	01,02
08	C4541		-----	NEAF1EM-475X	E CAPACITOR	(Addition)	1	01,02
08	C4542		-----	NDC31HJ-821X	C CAPACITOR	(Addition)	1	01,02
08	C4543		-----	NDC31HJ-681X	C CAPACITOR	(Addition)	1	01,02
08	C4544		-----	NEAF1CM-107X	E CAPACITOR	(Addition)	1	01,02
08	C4545		-----	NEAF1EM-475X	E CAPACITOR	(Addition)	1	01,02
08	C4548		-----	NDC31HJ-331X	C CAPACITOR	(Addition)	1	01,02

△	Symbol	or	Part No.		Part Name	Description	Qty	Models
			<Rev.001>	<Rev.002>				
08	R401		-----	NRSA63J-0R0X	MG RESISTOR	(Addition)	1	01,02
08	R402		-----	NRSA63J-0R0X	MG RESISTOR	(Addition)	1	01,02
08	R403		-----	NRSA63J-102X	MG RESISTOR	(Addition)	1	01,02
08	R451		-----	NRSA63D-682X	MG RESISTOR	(Addition)	1	01,02
08	R452		-----	NRSA63D-302X	MG RESISTOR	(Addition)	1	01,02
08	R453		-----	NRSA63D-682X	MG RESISTOR	(Addition)	1	01,02
08	R454		-----	NRSA63D-222X	MG RESISTOR	(Addition)	1	01,02
08	R455		-----	NRSA63J-681X	MG RESISTOR	(Addition)	1	01,02
08	R457		-----	NRSA63J-104X	MG RESISTOR	(Addition)	1	01,02
08	R4501		-----	NRSA63J-101X	MG RESISTOR	(Addition)	1	01,02
08	R4531		-----	NRSA63J-104X	MG RESISTOR	(Addition)	1	01,02
08	R4532		-----	NRSA63J-182X	MG RESISTOR	(Addition)	1	01,02
08	R4533		-----	NRSA63J-182X	MG RESISTOR	(Addition)	1	01,02
08	R4534		-----	NRSA63J-104X	MG RESISTOR	(Addition)	1	01,02
08	R4535		-----	NRSA63J-102X	MG RESISTOR	(Addition)	1	01,02
08	R4536		-----	NRSA63J-752X	MG RESISTOR	(Addition)	1	01,02
08	R4537		-----	NRSA63J-472X	MG RESISTOR	(Addition)	1	01,02
08	R4541		-----	NRSA63J-104X	MG RESISTOR	(Addition)	1	01,02
08	R4542		-----	NRSA63J-182X	MG RESISTOR	(Addition)	1	01,02
08	R4543		-----	NRSA63J-182X	MG RESISTOR	(Addition)	1	01,02
08	R4544		-----	NRSA63J-104X	MG RESISTOR	(Addition)	1	01,02
08	R4545		-----	NRSA63J-102X	MG RESISTOR	(Addition)	1	01,02
08	R4546		-----	NRSA63J-752X	MG RESISTOR	(Addition)	1	01,02
08	R4547		-----	NRSA63J-472X	MG RESISTOR	(Addition)	1	01,02
08	CN401		-----	NNZ0230-003	CAR CONNECTOR	(Addition)	1	01,02
08	CN402		-----	QGA1002F1-02X	CONNECTOR	(Addition)	1	01,02
08	CN411		-----	QGB0815J1-60X	CONNECTOR	(Addition)	1	01,02
08	CN412		-----	QGB1004J4-30X	CONNECTOR	(Addition)	1	01,02
08	CN421		-----	QGB0815J1-60X	CONNECTOR	(Addition)	1	01,02
08	CN422		-----	QGB1004J4-30X	CONNECTOR	(Addition)	1	01,02
08	CN451		-----	QGB2027L9-30X	CONNECTOR	(Addition)	1	01,02
08	CN461		-----	QGF0534F3-50X	CONNECTOR	(Addition)	1	01,02
08	CN491		-----	QGA1002F1-02X	CONNECTOR	(Addition)	1	01,02
08	EP401		-----	NNZ0165-001X	EARTH TERMINAL	(Addition)	1	01,02
08	EP402		-----	NNZ0165-001X	EARTH TERMINAL	(Addition)	1	01,02
08	EP403		-----	NNZ0165-001X	EARTH TERMINAL	(Addition)	1	01,02
08	EP451		-----	NNZ0165-001X	EARTH TERMINAL	(Addition)	1	01,02
08	EP452		-----	NNZ0165-001X	EARTH TERMINAL	(Addition)	1	01,02
08	EP453		-----	NNZ0165-001X	EARTH TERMINAL	(Addition)	1	01,02
08	EP454		-----	NNZ0165-001X	EARTH TERMINAL	(Addition)	1	01,02

**Panel board common [09]**

△	Symbol	or	Part No.		Part Name	Description	Qty	Models
			<Rev.001>	<Rev.002>				
09	IC801		-----	BU21010MUV-X	IC	(Addition)	1	01,02
09	IC901		-----	JVM4233	IC(MCU)	(Addition)	1	01,02
09	IC921		-----	KE455U2557MFP	IC	(Addition)	1	01,02
09	IC941		-----	NJM072BV-X	IC	(Addition)	1	01,02
09	IC945		-----	TC74VHCT04AFT-X	IC	(Addition)	1	01,02
09	IC951		-----	TPS61500PWP-X	IC	(Addition)	1	01,02
09	IC952		-----	TC7S08FU-X	IC C.M.	(Addition)	1	01,02
09	IC970		-----	TC4066BFT-X	IC(DIGITAL)	(Addition)	1	01,02
09	IC973		-----	NJM4565E-X	IC	(Addition)	1	01,02
09	IC975		-----	TC4066BFT-X	IC(DIGITAL)	(Addition)	1	01,02
09	IC980		-----	NAU0004-005	RF MODULE	(Addition)	1	01,02
09	IC983		-----	NJM4565E-X	IC	(Addition)	1	01,02
09	IC985		-----	NJM2229M-X	IC	(Addition)	1	01,02
09	IC986		-----	NJM2505AF-X	IC	(Addition)	1	01,02
09	IC987		-----	NJM2505AF-X	IC	(Addition)	1	01,02
09	IC991		-----	BA50BC0FP-X	IC	(Addition)	1	01,02
09	IC992		-----	NJM2871BF33-X	IC	(Addition)	1	01,02
09	IC993		-----	BA00BC0WFP-X	IC(DIGITAL)	(Addition)	1	01,02
09	Q9101		-----	2SA2119K-X	TRANSISTOR	(Addition)	1	01,02
09	Q9102		-----	2SC5938A/B/-X	TRANSISTOR	(Addition)	1	01,02
09	Q9111		-----	2SA2119K-X	TRANSISTOR	(Addition)	1	01,02
09	Q9112		-----	2SC5938A/B/-X	TRANSISTOR	(Addition)	1	01,02
09	Q9121		-----	ISA1530AC1/R/-X	TRANSISTOR	(Addition)	1	01,02
09	Q9401		-----	2SD601A/QR/-X	TRANSISTOR	(Addition)	1	01,02



△	Symbol	or	Part No.		Part Name	Description	Qty	Models
			<Rev.001>	<Rev.002>				
09	Q9402		-----	2SB709A/QR/-X	TRANSISTOR	(Addition)	1	01,02
09	Q9403		-----	2SD601A/QR/-X	TRANSISTOR	(Addition)	1	01,02
09	Q9404		-----	2SB709A/QR/-X	TRANSISTOR	(Addition)	1	01,02
09	Q9511		-----	RSQ025P03-W	TRANSISTOR	(Addition)	1	01,02
09	Q9512		-----	2SK3019-X	MOS FET	(Addition)	1	01,02
09	Q9601		-----	RT1N141C-X	DIGI TRANSISTOR	(Addition)	1	01,02
09	Q9602		-----	RT1N141C-X	DIGI TRANSISTOR	(Addition)	1	01,02
09	Q9701		-----	RT1N141C-X	DIGI TRANSISTOR	(Addition)	1	01,02
09	Q9702		-----	RT1N441C-X	TRANSISTOR	(Addition)	1	01,02
09	Q9711		-----	RT1N141C-X	DIGI TRANSISTOR	(Addition)	1	01,02
09	Q9712		-----	2SB709A/QR/-X	TRANSISTOR	(Addition)	1	01,02
09	Q9713		-----	2SC5938A/B/-X	TRANSISTOR	(Addition)	1	01,02
09	Q9714		-----	2SB709A/QR/-X	TRANSISTOR	(Addition)	1	01,02
09	Q9715		-----	2SC5938A/B/-X	TRANSISTOR	(Addition)	1	01,02
09	Q9751		-----	RT1N141C-X	DIGI TRANSISTOR	(Addition)	1	01,02
09	Q9752		-----	RT1N441C-X	TRANSISTOR	(Addition)	1	01,02
09	D8401		-----	CL-260S-HB8-X	LED	(Addition)	1	01,02
09	D8402		-----	CL-260S-HB8-X	LED	(Addition)	1	01,02
09	D8403		-----	CL-260S-HB8-X	LED	(Addition)	1	01,02
09	D8404		-----	CL-260S-HB8-X	LED	(Addition)	1	01,02
09	D9004		-----	MA2SD31-X	SB DIODE	(Addition)	1	01,02
09	D9501		-----	MA22D39-X	SB DIODE	(Addition)	1	01,02
09	D9812		-----	MA8033-X	Z DIODE	(Addition)	1	01,02
09	C8301		-----	NBE20JM-476X	TA E CAPACITOR	(Addition)	1	01,02
09	C8302		-----	NCB31CK-104X	C CAPACITOR	(Addition)	1	01,02
09	C8303		-----	NBE20JM-476X	TA E CAPACITOR	(Addition)	1	01,02
09	C8304		-----	NCB31CK-104X	C CAPACITOR	(Addition)	1	01,02
09	C8305		-----	NDC31HJ-150X-G	C CAPACITOR	(Addition)	1	01,02
09	C8306		-----	NCB31HK-103X	C CAPACITOR	(Addition)	1	01,02
09	C8501		-----	NCB31HK-103X	C CAPACITOR	(Addition)	1	01,02
09	C8504		-----	NCB31HK-103X	C CAPACITOR	(Addition)	1	01,02
09	C8505		-----	NCJ11EK-106X-R	C CAPACITOR	(Addition)	1	01,02
09	C8601		-----	NDC31HJ-101X	C CAPACITOR	(Addition)	1	01,02
09	C8602		-----	NDC31HJ-101X	C CAPACITOR	(Addition)	1	01,02
09	C8603		-----	NDC31HJ-101X	C CAPACITOR	(Addition)	1	01,02
09	C8604		-----	NCB31HK-102X	C CAPACITOR	(Addition)	1	01,02
09	C9031		-----	NCB31CK-104X	C CAPACITOR	(Addition)	1	01,02
09	C9061		-----	NCB31CK-104X	C CAPACITOR	(Addition)	1	01,02
09	C9062		-----	NDC31HJ-8R0X	C CAPACITOR	(Addition)	1	01,02
09	C9063		-----	NDC31HJ-8R0X	C CAPACITOR	(Addition)	1	01,02
09	C9064		-----	NCB31CK-474X	C CAPACITOR	(Addition)	1	01,02
09	C9065		-----	NCB31CK-104X	C CAPACITOR	(Addition)	1	01,02
09	C9071		-----	NCB31CK-104X	C CAPACITOR	(Addition)	1	01,02
09	C9072		-----	NBE40JM-476X	TA E CAPACITOR	(Addition)	1	01,02
09	C9092		-----	NCB31HK-103X	C CAPACITOR	(Addition)	1	01,02
09	C9101		-----	NCB31AK-105X	C CAPACITOR	(Addition)	1	01,02
09	C9111		-----	NCB31AK-105X	C CAPACITOR	(Addition)	1	01,02
09	C9131		-----	NCB31HK-103X	C CAPACITOR	(Addition)	1	01,02
09	C9132		-----	NCB31HK-103X	C CAPACITOR	(Addition)	1	01,02
09	C9133		-----	NCB31HK-103X	C CAPACITOR	(Addition)	1	01,02
09	C9134		-----	NCB31HK-103X	C CAPACITOR	(Addition)	1	01,02
09	C9201		-----	NCB31CK-104X	C CAPACITOR	(Addition)	1	01,02
09	C9202		-----	NCB31CK-104X	C CAPACITOR	(Addition)	1	01,02
09	C9231		-----	NCB31CK-104X	C CAPACITOR	(Addition)	1	01,02
09	C9232		-----	NCB31CK-104X	C CAPACITOR	(Addition)	1	01,02
09	C9233		-----	NCB31CK-104X	C CAPACITOR	(Addition)	1	01,02
09	C9234		-----	NCB31CK-104X	C CAPACITOR	(Addition)	1	01,02
09	C9261		-----	NCB31CK-104X	C CAPACITOR	(Addition)	1	01,02
09	C9262		-----	NCB31CK-104X	C CAPACITOR	(Addition)	1	01,02
09	C9291		-----	NCB31CK-104X	C CAPACITOR	(Addition)	1	01,02
09	C9292		-----	NCB31CK-104X	C CAPACITOR	(Addition)	1	01,02
09	C9301		-----	NBE41AM-226X	TA E CAPACITOR	(Addition)	1	01,02
09	C9401		-----	NBE41DM-106X	TA E CAPACITOR	(Addition)	1	01,02
09	C9402		-----	NCJ11EK-106X-R	C CAPACITOR	(Addition)	1	01,02
09	C9403		-----	NCB31CK-104X	C CAPACITOR	(Addition)	1	01,02
09	C9404		-----	NCB31CK-104X	C CAPACITOR	(Addition)	1	01,02
09	C9405		-----	NCB31EK-104X	C CAPACITOR	(Addition)	1	01,02
09	C9406		-----	NCJ11EK-106X-R	C CAPACITOR	(Addition)	1	01,02

△	Symbol	or	Part No.		Part Name	Description	Qty	Models
			<Rev.001>	<Rev.002>				
09	C9407		-----	NCB31EK-104X	C CAPACITOR	(Addition)	1	01,02
09	C9408		-----	NCJ11EK-106X-R	C CAPACITOR	(Addition)	1	01,02
09	C9409		-----	NCB31AK-474X	C CAPACITOR	(Addition)	1	01,02
09	C9410		-----	NCB31HK-104X	C CAPACITOR	(Addition)	1	01,02
09	C9411		-----	NCB31CK-104X	C CAPACITOR	(Addition)	1	01,02
09	C9451		-----	NCB31CK-104X	C CAPACITOR	(Addition)	1	01,02
09	C9481		-----	NCB31CK-104X	C CAPACITOR	(Addition)	1	01,02
09	C9482		-----	NCB31HK-104X	C CAPACITOR	(Addition)	1	01,02
09	C9483		-----	NCB31CK-104X	C CAPACITOR	(Addition)	1	01,02
09	C9484		-----	NCB31CK-104X	C CAPACITOR	(Addition)	1	01,02
09	C9501		-----	NBE41DM-106X	TA E CAPACITOR	(Addition)	1	01,02
09	C9502		-----	NCJ11EK-106X-R	C CAPACITOR	(Addition)	1	01,02
09	C9503		-----	NCJ11EK-106X-R	C CAPACITOR	(Addition)	1	01,02
09	C9504		-----	NCB31CK-105X	C CAPACITOR	(Addition)	1	01,02
09	C9505		-----	NCB31EK-223X	C CAPACITOR	(Addition)	1	01,02
09	C9507		-----	NCB31CK-474X	C CAPACITOR	(Addition)	1	01,02
09	C9508		-----	NEAG1CM-476X	E CAPACITOR	(Addition)	1	01,02
09	C9509		-----	NEAG1CM-476X	E CAPACITOR	(Addition)	1	01,02
09	C9510		-----	NEAF1CM-107X	E CAPACITOR	(Addition)	1	01,02
09	C9511		-----	NEAG1CM-476X	E CAPACITOR	(Addition)	1	01,02
09	C9512		-----	NCB31CK-104X	C CAPACITOR	(Addition)	1	01,02
09	C9513		-----	NCJ11EK-106X-R	C CAPACITOR	(Addition)	1	01,02
09	C9514		-----	NCJ11EK-106X-R	C CAPACITOR	(Addition)	1	01,02
09	C9515		-----	NCJ11EK-106X-R	C CAPACITOR	(Addition)	1	01,02
09	C9516		-----	NCJ11EK-106X-R	C CAPACITOR	(Addition)	1	01,02
09	C9702		-----	NCB31CK-104X	C CAPACITOR	(Addition)	1	01,02
09	C9703		-----	NCJ21CK-106X-R	C CAPACITOR	(Addition)	1	01,02
09	C9704		-----	NCJ21CK-106X-R	C CAPACITOR	(Addition)	1	01,02
09	C9705		-----	NCB31HK-103X	C CAPACITOR	(Addition)	1	01,02
09	C9731		-----	NCB31CK-104X	C CAPACITOR	(Addition)	1	01,02
09	C9733		-----	NBE41AM-476X	TA E CAPACITOR	(Addition)	1	01,02
09	C9736		-----	NCB31CK-105X	C CAPACITOR	(Addition)	1	01,02
09	C9737		-----	NCB31CK-105X	C CAPACITOR	(Addition)	1	01,02
09	C9742		-----	NCB31CK-105X	C CAPACITOR	(Addition)	1	01,02
09	C9743		-----	NCB31CK-105X	C CAPACITOR	(Addition)	1	01,02
09	C9744		-----	NDC31HJ-101X	C CAPACITOR	(Addition)	1	01,02
09	C9745		-----	NDC31HJ-101X	C CAPACITOR	(Addition)	1	01,02
09	C9746		-----	NDC31HJ-101X	C CAPACITOR	(Addition)	1	01,02
09	C9747		-----	NDC31HJ-101X	C CAPACITOR	(Addition)	1	01,02
09	C9752		-----	NCB31CK-104X	C CAPACITOR	(Addition)	1	01,02
09	C9801		-----	NEAF0JM-107X	E CAPACITOR	(Addition)	1	01,02
09	C9802		-----	NCB31CK-104X	C CAPACITOR	(Addition)	1	01,02
09	C9811		-----	NCB31CK-105X	C CAPACITOR	(Addition)	1	01,02
09	C9812		-----	NCB31CK-105X	C CAPACITOR	(Addition)	1	01,02
09	C9813		-----	NCB31CK-105X	C CAPACITOR	(Addition)	1	01,02
09	C9814		-----	NCB31CK-105X	C CAPACITOR	(Addition)	1	01,02
09	C9815		-----	NCB31HK-103X	C CAPACITOR	(Addition)	1	01,02
09	C9831		-----	NCB31CK-104X	C CAPACITOR	(Addition)	1	01,02
09	C9833		-----	NBE41AM-226X	TA E CAPACITOR	(Addition)	1	01,02
09	C9834		-----	NCB31CK-105X	C CAPACITOR	(Addition)	1	01,02
09	C9836		-----	NCB31CK-105X	C CAPACITOR	(Addition)	1	01,02
09	C9838		-----	NDC31HJ-101X	C CAPACITOR	(Addition)	1	01,02
09	C9840		-----	NDC31HJ-331X	C CAPACITOR	(Addition)	1	01,02
09	C9842		-----	NDC31HJ-101X	C CAPACITOR	(Addition)	1	01,02
09	C9851		-----	NBE51CM-476X	TA E CAPACITOR	(Addition)	1	01,02
09	C9852		-----	NCB31CK-104X	C CAPACITOR	(Addition)	1	01,02
09	C9853		-----	NCB31HK-103X	C CAPACITOR	(Addition)	1	01,02
09	C9854		-----	NDC31HJ-101X	C CAPACITOR	(Addition)	1	01,02
09	C9855		-----	NCB31HK-102X	C CAPACITOR	(Addition)	1	01,02
09	C9856		-----	NCB31HK-102X	C CAPACITOR	(Addition)	1	01,02
09	C9857		-----	NBE41AM-106X	TA E CAPACITOR	(Addition)	1	01,02
09	C9861		-----	NCB31CK-105X	C CAPACITOR	(Addition)	1	01,02
09	C9862		-----	NCB31CK-105X	C CAPACITOR	(Addition)	1	01,02
09	C9863		-----	NCB31CK-105X	C CAPACITOR	(Addition)	1	01,02
09	C9871		-----	NBE41CM-226X	TA E CAPACITOR	(Addition)	1	01,02
09	C9872		-----	NCB31CK-105X	C CAPACITOR	(Addition)	1	01,02
09	C9873		-----	NCJ21CK-106X-R	C CAPACITOR	(Addition)	1	01,02
09	C9874		-----	NCJ21CK-106X-R	C CAPACITOR	(Addition)	1	01,02

△	Symbol	or	Part No.		Part Name	Description	Qty	Models
			<Rev.001>	<Rev.002>				
09	C9911		-----	NBE51CM-476X	TA E CAPACITOR	(Addition)	1	01,02
09	C9912		-----	NCB31CK-104X	C CAPACITOR	(Addition)	1	01,02
09	C9913		-----	NBE41CM-226X	TA E CAPACITOR	(Addition)	1	01,02
09	C9914		-----	NCB31HK-103X	C CAPACITOR	(Addition)	1	01,02
09	C9921		-----	NCB31CK-104X	C CAPACITOR	(Addition)	1	01,02
09	C9922		-----	NBE41AM-226X	TA E CAPACITOR	(Addition)	1	01,02
09	C9923		-----	NCB31CK-104X	C CAPACITOR	(Addition)	1	01,02
09	C9924		-----	NCB31HK-103X	C CAPACITOR	(Addition)	1	01,02
09	C9931		-----	NCB31CK-104X	C CAPACITOR	(Addition)	1	01,02
09	C9932		-----	NBE41DM-106X	TA E CAPACITOR	(Addition)	1	01,02
09	C9933		-----	NCJ11EK-106X-R	C CAPACITOR	(Addition)	1	01,02
09	C9934		-----	NCJ11EK-106X-R	C CAPACITOR	(Addition)	1	01,02
09	R8301		-----	NRSA63J-101X	MG RESISTOR	(Addition)	1	01,02
09	R8302		-----	NRSA63J-101X	MG RESISTOR	(Addition)	1	01,02
09	R8303		-----	NRSA63J-222X	MG RESISTOR	(Addition)	1	01,02
09	R8304		-----	NRSA63J-222X	MG RESISTOR	(Addition)	1	01,02
09	R8305		-----	NRSA63J-222X	MG RESISTOR	(Addition)	1	01,02
09	R8306		-----	NRSA63J-222X	MG RESISTOR	(Addition)	1	01,02
09	R8601		-----	NRSA63J-104X	MG RESISTOR	(Addition)	1	01,02
09	R8602		-----	NRSA63J-104X	MG RESISTOR	(Addition)	1	01,02
09	R8603		-----	NRSA63J-104X	MG RESISTOR	(Addition)	1	01,02
09	R9001		-----	NRSA63J-101X	MG RESISTOR	(Addition)	1	01,02
09	R9002		-----	NRSA63J-101X	MG RESISTOR	(Addition)	1	01,02
09	R9003		-----	NRSA63J-102X	MG RESISTOR	(Addition)	1	01,02
09	R9004		-----	NRSA63J-102X	MG RESISTOR	(Addition)	1	01,02
09	R9005		-----	NRSA63J-102X	MG RESISTOR	(Addition)	1	01,02
09	R9006		-----	NRSA63J-102X	MG RESISTOR	(Addition)	1	01,02
09	R9007		-----	NRSA63J-102X	MG RESISTOR	(Addition)	1	01,02
09	R9008		-----	NRSA63J-102X	MG RESISTOR	(Addition)	1	01,02
09	R9009		-----	NRSA63J-102X	MG RESISTOR	(Addition)	1	01,02
09	R9010		-----	NRSA63J-102X	MG RESISTOR	(Addition)	1	01,02
09	R9011		-----	NRSA63J-102X	MG RESISTOR	(Addition)	1	01,02
09	R9012		-----	NRSA63J-0R0X	MG RESISTOR	(Addition)	1	01,02
09	R9013		-----	NRSA63J-472X	MG RESISTOR	(Addition)	1	01,02
09	R9014		-----	NRSA63J-472X	MG RESISTOR	(Addition)	1	01,02
09	R9015		-----	NRSA63J-103X	MG RESISTOR	(Addition)	1	01,02
09	R9021		-----	NRSA63J-0R0X	MG RESISTOR	(Addition)	1	01,02
09	R9022		-----	NRSA63J-102X	MG RESISTOR	(Addition)	1	01,02
09	R9023		-----	NRSA63J-102X	MG RESISTOR	(Addition)	1	01,02
09	R9024		-----	NRSA63J-102X	MG RESISTOR	(Addition)	1	01,02
09	R9025		-----	NRSA63J-102X	MG RESISTOR	(Addition)	1	01,02
09	R9026		-----	NRSA63J-561X	MG RESISTOR	(Addition)	1	01,02
09	R9027		-----	NRSA63J-561X	MG RESISTOR	(Addition)	1	01,02
09	R9028		-----	NRSA63J-101X	MG RESISTOR	(Addition)	1	01,02
09	R9029		-----	NRSA63J-102X	MG RESISTOR	(Addition)	1	01,02
09	R9030		-----	NRSA63J-102X	MG RESISTOR	(Addition)	1	01,02
09	R9033		-----	NRSA63J-103X	MG RESISTOR	(Addition)	1	01,02
09	R9041		-----	NRSA63J-102X	MG RESISTOR	(Addition)	1	01,02
09	R9042		-----	NRSA63J-102X	MG RESISTOR	(Addition)	1	01,02
09	R9043		-----	NRSA63J-102X	MG RESISTOR	(Addition)	1	01,02
09	R9044		-----	NRSA63J-102X	MG RESISTOR	(Addition)	1	01,02
09	R9045		-----	NRSA63J-102X	MG RESISTOR	(Addition)	1	01,02
09	R9049		-----	NRSA63J-102X	MG RESISTOR	(Addition)	1	01,02
09	R9050		-----	NRSA63J-102X	MG RESISTOR	(Addition)	1	01,02
09	R9051		-----	NRSA63J-102X	MG RESISTOR	(Addition)	1	01,02
09	R9052		-----	NRSA63J-102X	MG RESISTOR	(Addition)	1	01,02
09	R9053		-----	NRSA63J-822X	MG RESISTOR	(Addition)	1	01,02
09	R9062		-----	NRSA63J-103X	MG RESISTOR	(Addition)	1	01,02
09	R9063		-----	NRSA63J-103X	MG RESISTOR	(Addition)	1	01,02
09	R9064		-----	NRSA63J-222X	MG RESISTOR	(Addition)	1	01,02
09	R9065		-----	NRSA63J-102X	MG RESISTOR	(Addition)	1	01,02
09	R9066		-----	NRSA63J-472X	MG RESISTOR	(Addition)	1	01,02
09	R9067		-----	NRSA63J-473X	MG RESISTOR	(Addition)	1	01,02
09	R9068		-----	NRSA63J-102X	MG RESISTOR	(Addition)	1	01,02
09	R9081		-----	NRSA63J-0R0X	MG RESISTOR	(Addition)	1	01,02
09	R9082		-----	NRSA63J-0R0X	MG RESISTOR	(Addition)	1	01,02
09	R9091		-----	NRSA02J-101X	MG RESISTOR	(Addition)	1	01,02
09	R9101		-----	NRSA63J-332X	MG RESISTOR	(Addition)	1	01,02



△	Symbol	or	Part No.		Part Name	Description	Qty	Models
			<Rev.001>	<Rev.002>				
09	R9292		-----	NRSA63J-103X	MG RESISTOR	(Addition)	1	01,02
09	R9298		-----	NRSA63J-103X	MG RESISTOR	(Addition)	1	01,02
09	R9299		-----	NRSA63J-103X	MG RESISTOR	(Addition)	1	01,02
09	R9300		-----	NRSA63J-103X	MG RESISTOR	(Addition)	1	01,02
09	R9301		-----	NRSA63J-103X	MG RESISTOR	(Addition)	1	01,02
09	R9302		-----	NRSA63J-103X	MG RESISTOR	(Addition)	1	01,02
09	R9306		-----	NRSA63J-101X	MG RESISTOR	(Addition)	1	01,02
09	R9307		-----	NRSA63J-103X	MG RESISTOR	(Addition)	1	01,02
09	R9308		-----	NRSA63J-103X	MG RESISTOR	(Addition)	1	01,02
09	R9309		-----	NRSA63J-101X	MG RESISTOR	(Addition)	1	01,02
09	R9310		-----	NRSA63J-101X	MG RESISTOR	(Addition)	1	01,02
09	R9311		-----	NRSA63J-101X	MG RESISTOR	(Addition)	1	01,02
09	R9316		-----	NRSA63J-101X	MG RESISTOR	(Addition)	1	01,02
09	R9322		-----	NRSA63J-0R0X	MG RESISTOR	(Addition)	1	01,02
09	R9401		-----	NRSA63D-103X	MG RESISTOR	(Addition)	1	01,02
09	R9402		-----	NRSA63D-103X	MG RESISTOR	(Addition)	1	01,02
09	R9403		-----	NRSA63D-223X	MG RESISTOR	(Addition)	1	01,02
09	R9404		-----	NRSA63J-390X	MG RESISTOR	(Addition)	1	01,02
09	R9405		-----	NRSA63J-104X	MG RESISTOR	(Addition)	1	01,02
09	R9406		-----	NRSA63D-183X	MG RESISTOR	(Addition)	1	01,02
09	R9407		-----	NRSA63J-474X	MG RESISTOR	(Addition)	1	01,02
09	R9408		-----	NRSA63J-474X	MG RESISTOR	(Addition)	1	01,02
09	R9409		-----	NRSA63J-101X	MG RESISTOR	(Addition)	1	01,02
09	R9410		-----	NRSA63J-103X	MG RESISTOR	(Addition)	1	01,02
09	R9411		-----	NRSA63J-103X	MG RESISTOR	(Addition)	1	01,02
09	R9412		-----	NRSA63J-390X	MG RESISTOR	(Addition)	1	01,02
09	R9413		-----	NRSA63J-2R2X	MG RESISTOR	(Addition)	1	01,02
09	R9414		-----	NRSA63J-2R2X	MG RESISTOR	(Addition)	1	01,02
09	R9415		-----	NRSA63J-390X	MG RESISTOR	(Addition)	1	01,02
09	R9416		-----	NRSA63D-473X	MG RESISTOR	(Addition)	1	01,02
09	R9417		-----	NRSA63D-243X	MG RESISTOR	(Addition)	1	01,02
09	R9418		-----	NRSA63J-103X	MG RESISTOR	(Addition)	1	01,02
09	R9452		-----	NRSA63J-0R0X	MG RESISTOR	(Addition)	1	01,02
09	R9453		-----	NRSA63J-0R0X	MG RESISTOR	(Addition)	1	01,02
09	R9461		-----	NRSA63D-240X	MG RESISTOR	(Addition)	1	01,02
09	R9462		-----	NRSA63D-221X	MG RESISTOR	(Addition)	1	01,02
09	R9463		-----	NRSA63D-820X	MG RESISTOR	(Addition)	1	01,02
09	R9464		-----	NRSA63D-470X	MG RESISTOR	(Addition)	1	01,02
09	R9465		-----	NRSA63D-390X	MG RESISTOR	(Addition)	1	01,02
09	R9466		-----	NRSA63D-430X	MG RESISTOR	(Addition)	1	01,02
09	R9467		-----	NRSA63D-470X	MG RESISTOR	(Addition)	1	01,02
09	R9468		-----	NRSA63D-680X	MG RESISTOR	(Addition)	1	01,02
09	R9469		-----	NRSA63D-161X	MG RESISTOR	(Addition)	1	01,02
09	R9470		-----	NRSA63D-201X	MG RESISTOR	(Addition)	1	01,02
09	R9471		-----	NRSA63D-100X	MG RESISTOR	(Addition)	1	01,02
09	R9472		-----	NRSA63D-100X	MG RESISTOR	(Addition)	1	01,02
09	R9501		-----	NRSA63J-205X	MG RESISTOR	(Addition)	1	01,02
09	R9502		-----	NRSA63J-134X	MG RESISTOR	(Addition)	1	01,02
09	R9503		-----	NRSA63J-2R0X	MG RESISTOR	(Addition)	1	01,02
09	R9504		-----	NRSA63J-2R0X	MG RESISTOR	(Addition)	1	01,02
09	R9505		-----	NRSA63D-392X	MG RESISTOR	(Addition)	1	01,02
09	R9506		-----	NRSA63D-393X	MG RESISTOR	(Addition)	1	01,02
09	R9507		-----	NRSA63J-0R0X	MG RESISTOR	(Addition)	1	01,02
09	R9511		-----	NRSA63J-222X	MG RESISTOR	(Addition)	1	01,02
09	R9512		-----	NRSA63J-222X	MG RESISTOR	(Addition)	1	01,02
09	R9513		-----	NRSA63J-102X	MG RESISTOR	(Addition)	1	01,02
09	R9514		-----	NRSA63J-1R0X	MG RESISTOR	(Addition)	1	01,02
09	R9515		-----	NRSA63J-1R0X	MG RESISTOR	(Addition)	1	01,02
09	R9516		-----	NRSA63J-102X	MG RESISTOR	(Addition)	1	01,02
09	R9601		-----	NRSA02J-682X	MG RESISTOR	(Addition)	1	01,02
09	R9602		-----	NRSA02J-222X	MG RESISTOR	(Addition)	1	01,02
09	R9603		-----	NRSA02J-332X	MG RESISTOR	(Addition)	1	01,02
09	R9701		-----	NRSA63J-101X	MG RESISTOR	(Addition)	1	01,02
09	R9702		-----	NRSA63J-101X	MG RESISTOR	(Addition)	1	01,02
09	R9703		-----	NRSA63J-101X	MG RESISTOR	(Addition)	1	01,02
09	R9704		-----	NRSA63J-224X	MG RESISTOR	(Addition)	1	01,02
09	R9706		-----	NRSA63J-224X	MG RESISTOR	(Addition)	1	01,02
09	R9710		-----	NRSA63J-224X	MG RESISTOR	(Addition)	1	01,02

△	Symbol	or	Part No.		Part Name	Description	Qty	Models
			<Rev.001>	<Rev.002>				
09	R9712		-----	NRSA63J-103X	MG RESISTOR	(Addition)	1	01,02
09	R9713		-----	NRSA63J-103X	MG RESISTOR	(Addition)	1	01,02
09	R9714		-----	NRSA63J-222X	MG RESISTOR	(Addition)	1	01,02
09	R9715		-----	NRSA63J-103X	MG RESISTOR	(Addition)	1	01,02
09	R9716		-----	NRSA63J-750X	MG RESISTOR	(Addition)	1	01,02
09	R9717		-----	NRSA63J-222X	MG RESISTOR	(Addition)	1	01,02
09	R9718		-----	NRSA63J-222X	MG RESISTOR	(Addition)	1	01,02
09	R9719		-----	NRSA63J-103X	MG RESISTOR	(Addition)	1	01,02
09	R9720		-----	NRSA63J-750X	MG RESISTOR	(Addition)	1	01,02
09	R9721		-----	NRSA63J-222X	MG RESISTOR	(Addition)	1	01,02
09	R9723		-----	NRSA63J-0R0X	MG RESISTOR	(Addition)	1	01,02
09	R9731		-----	NRSA63J-103X	MG RESISTOR	(Addition)	1	01,02
09	R9732		-----	NRSA63J-103X	MG RESISTOR	(Addition)	1	01,02
09	R9733		-----	NRSA63J-223X	MG RESISTOR	(Addition)	1	01,02
09	R9734		-----	NRSA63J-223X	MG RESISTOR	(Addition)	1	01,02
09	R9735		-----	NRSA63J-303X	MG RESISTOR	(Addition)	1	01,02
09	R9736		-----	NRSA63J-303X	MG RESISTOR	(Addition)	1	01,02
09	R9737		-----	NRSA63J-104X	MG RESISTOR	(Addition)	1	01,02
09	R9743		-----	NRSA63J-303X	MG RESISTOR	(Addition)	1	01,02
09	R9744		-----	NRSA63J-303X	MG RESISTOR	(Addition)	1	01,02
09	R9745		-----	NRSA63J-223X	MG RESISTOR	(Addition)	1	01,02
09	R9746		-----	NRSA63J-223X	MG RESISTOR	(Addition)	1	01,02
09	R9753		-----	NRSA63J-103X	MG RESISTOR	(Addition)	1	01,02
09	R9754		-----	NRSA63J-103X	MG RESISTOR	(Addition)	1	01,02
09	R9811		-----	NRSA63J-331X	MG RESISTOR	(Addition)	1	01,02
09	R9812		-----	NRSA63J-331X	MG RESISTOR	(Addition)	1	01,02
09	R9813		-----	NRSA63J-331X	MG RESISTOR	(Addition)	1	01,02
09	R9814		-----	NRSA63J-331X	MG RESISTOR	(Addition)	1	01,02
09	R9818		-----	NRSA63J-0R0X	MG RESISTOR	(Addition)	1	01,02
09	R9819		-----	NRSA63J-0R0X	MG RESISTOR	(Addition)	1	01,02
09	R9820		-----	NRSA63J-0R0X	MG RESISTOR	(Addition)	1	01,02
09	R9831		-----	NRSA63J-104X	MG RESISTOR	(Addition)	1	01,02
09	R9832		-----	NRSA63J-104X	MG RESISTOR	(Addition)	1	01,02
09	R9833		-----	NRSA63J-243X	MG RESISTOR	(Addition)	1	01,02
09	R9835		-----	NRSA63J-243X	MG RESISTOR	(Addition)	1	01,02
09	R9837		-----	NRSA63J-223X	MG RESISTOR	(Addition)	1	01,02
09	R9839		-----	NRSA63J-223X	MG RESISTOR	(Addition)	1	01,02
09	R9852		-----	NRSA63J-684X	MG RESISTOR	(Addition)	1	01,02
09	R9853		-----	NRSA63J-302X	MG RESISTOR	(Addition)	1	01,02
09	R9854		-----	NRSA63J-103X	MG RESISTOR	(Addition)	1	01,02
09	R9855		-----	NRSA63J-333X	MG RESISTOR	(Addition)	1	01,02
09	R9856		-----	NRSA63J-302X	MG RESISTOR	(Addition)	1	01,02
09	R9857		-----	NRSA63J-103X	MG RESISTOR	(Addition)	1	01,02
09	R9859		-----	NRSA63J-103X	MG RESISTOR	(Addition)	1	01,02
09	R9861		-----	NRSA63J-224X	MG RESISTOR	(Addition)	1	01,02
09	R9862		-----	NRSA63J-224X	MG RESISTOR	(Addition)	1	01,02
09	R9863		-----	NRSA63J-101X	MG RESISTOR	(Addition)	1	01,02
09	R9864		-----	NRSA63J-101X	MG RESISTOR	(Addition)	1	01,02
09	R9871		-----	NRSA63J-0R0X	MG RESISTOR	(Addition)	1	01,02
09	R9874		-----	NRSA63J-101X	MG RESISTOR	(Addition)	1	01,02
09	R9875		-----	NRSA63J-101X	MG RESISTOR	(Addition)	1	01,02
09	R9876		-----	NRSA02J-0R0X	MG RESISTOR	(Addition)	1	01,02
09	R9931		-----	NRSA63D-133X	MG RESISTOR	(Addition)	1	01,02
09	R9932		-----	NRSA63D-222X	MG RESISTOR	(Addition)	1	01,02
09	L8501		-----	NQR0536-001X	CHOKE COIL	(Addition)	1	01,02
09	L9001		-----	NQL79GM-100X	COIL	(Addition)	1	01,02
09	L9201		-----	NQL79GM-100X	COIL	(Addition)	1	01,02
09	L9401		-----	NQL79GM-100X	COIL	(Addition)	1	01,02
09	L9402		-----	NQL79GM-100X	COIL	(Addition)	1	01,02
09	L9501		-----	NQLZ007-101X	CHOKE COIL	(Addition)	1	01,02
09	L9502		-----	NQL52EM-100X	COIL	(Addition)	1	01,02
09	L9801		-----	NQL79GM-100X	COIL	(Addition)	1	01,02
09	L9851		-----	NRSA02J-0R0X	MG RESISTOR	(Addition)	1	01,02
09	L9861		-----	NQL79GM-470X	COIL	(Addition)	1	01,02
09	L9871		-----	NQL79GM-470X	COIL	(Addition)	1	01,02
09	L9911		-----	NQL79GM-1R0X	COIL	(Addition)	1	01,02
09	CN801		-----	QGB0525L1-14X	CONNECTOR	(Addition)	1	01,02
09	CN802		-----	QGF0536C2-10W	CONNECTOR	(Addition)	1	01,02

△	Symbol		or	Part No.		Part Name	Description	Qty	Models
				<Rev.001>	<Rev.002>				
	09	CN841		-----	QGB0525M1-14X	CONNECTOR	(Addition)	1	01,02
	09	CN851		-----	QGF0536C2-07W	CONNECTOR	(Addition)	1	01,02
	09	CN861		-----	QGF0536C2-06W	CONNECTOR	(Addition)	1	01,02
	09	CN901		-----	QGF0534F3-40X	CONNECTOR	(Addition)	1	01,02
	09	CN902		-----	QGF0534F3-10X	CONNECTOR	(Addition)	1	01,02
	09	CN911		-----	QGF1039F2-04X	CONNECTOR	(Addition)	1	01,02
	09	CN921		-----	QGB0812L2-30X	CONNECTOR	(Addition)	1	01,02
	09	CN941		-----	QGF0534F2-60X	CONNECTOR	(Addition)	1	01,02
	09	CN951		-----	QGF0568F1-10W	CONNECTOR	(Addition)	1	01,02
	09	CN971		-----	QGF0534F3-06X	CONNECTOR	(Addition)	1	01,02
	09	EP851		-----	NNZ0129-001X	EARTH TERMINAL	(Addition)	1	01,02
	09	EP861		-----	NNZ0129-001X	EARTH TERMINAL	(Addition)	1	01,02
	09	EP991		-----	NNZ0129-001X	EARTH TERMINAL	(Addition)	1	01,02
	09	EP992		-----	NNZ0129-001X	EARTH TERMINAL	(Addition)	1	01,02
	09	EP993		-----	NNZ0129-001X	EARTH TERMINAL	(Addition)	1	01,02
	09	EP994		-----	NNZ0129-001X	EARTH TERMINAL	(Addition)	1	01,02
	09	EP995		-----	NNZ0129-001X	EARTH TERMINAL	(Addition)	1	01,02
△	09	F9001		-----	NMFZ018-R75X-E	FUSE	(Addition)	1	02
	09	F9001		-----	NMFZ018-R75X-E	FUSE	(Addition)	1	01
△	09	F9801		-----	NMFZ018-R75X-E	FUSE	(Addition)	1	02
	09	F9801		-----	NMFZ018-R75X-E	FUSE	(Addition)	1	01
	09	J8501		-----	QNZ1007-001	USB JACK	(Addition)	1	01,02
	09	J8601		-----	QNS0288-002	AUX JACK	(Addition)	1	01,02
	09	K8501		-----	NRSA63J-0R0X	MG RESISTOR	(Addition)	1	01,02
	09	K8502		-----	NRSA63J-0R0X	MG RESISTOR	(Addition)	1	01,02
	09	K8503		-----	NRSA63J-0R0X	MG RESISTOR	(Addition)	1	01,02
	09	K8504		-----	NRSA63J-0R0X	MG RESISTOR	(Addition)	1	01,02
	09	K8505		-----	NRSA63J-0R0X	MG RESISTOR	(Addition)	1	01,02
	09	K8601		-----	NRSA63J-0R0X	MG RESISTOR	(Addition)	1	01,02
	09	K8602		-----	NRSA63J-0R0X	MG RESISTOR	(Addition)	1	01,02
	09	K8603		-----	NRSA63J-0R0X	MG RESISTOR	(Addition)	1	01,02
	09	K8604		-----	NRSA63J-0R0X	MG RESISTOR	(Addition)	1	01,02
	09	TH901		-----	NAD0028-103X	N THERMISTOR	(Addition)	1	01,02
	09	VA851		-----	NAF0020-001X	VARISTOR	(Addition)	1	01,02
	09	VA852		-----	NAF0019-001X	VARISTOR	(Addition)	1	01,02
	09	VA853		-----	NAF0019-001X	VARISTOR	(Addition)	1	01,02
	09	X9001		-----	NAX0872-001X	CRYSTAL	(Addition)	1	01,02

### Packing and accessories [M3]

△	Symbol		or	Part No.		Part Name	Description	Qty	Models
				<Rev.001>	<Rev.002>				
	M3	A1		LVT1983-007A	-----	INST BOOK	(Deletion)	1	03
	M3	A2		LVT1983-008A	-----	INSTALL MANUAL	(Deletion)	1	03
	M3	P1		LV38783-003A	-----	CARTON	(Deletion)	1	03



**Victor Company of Japan, Limited**

Mobile Entertainment Division 10-1,1chome,Ohwatari-machi,Maebashi-city,371-8543,Japan





# REVISION INFORMATION

## NAVIGATION/DVD RECEIVER

# KW-NT1J, KW-NT1E

### ■ OVERVIEW

Supported reductions in cost, and board contents or mechanism were changed.

### ■ DETAILS

#### COVER SECTION

Title	Line	No.MA453<Rev.002>	No.MA453<Rev.003>	Description
Revision		Rev.002	Rev.003	
Issue Date		2009/07	2009/11	

#### SECTION 2 SPECIFIC SERVICE INSTRUCTIONS

Title	Line	No.MA453<Rev.002>	No.MA453<Rev.003>	Description
2.1 Identification method	1	Supported reduction in cost, and board contents were changed.	Supported reduction in cost, and board contents or mechanism were changed.	
	3	ILLUSTRATION(ma453_2001.png)	ILLUSTRATION(ma453_2001.png)	XML Structure

#### STANDARD SCHEMATIC DIAGRAMS

##### Schematic Diagram

Diagram Name	No.MA453<Rev.002>	No.MA453<Rev.003>	Description
Menu	DVD section	Old DVD section	
Menu	-	DVD section ma453_s027.svgz	

##### Printed Circuit Board

Diagram Name	No.MA453<Rev.002>	No.MA453<Rev.003>	Description
Menu	DVD board	Old DVD board	
Menu	Photoboard	Old Photoboard	
Menu	-	DVD board ma453_p027.svgz	
Menu	-	Photoboard ma453_p028.svgz	

## Exploded View

Diagram Name	No.MA453<Rev.002>	No.MA453<Rev.003>	Description
Menu	DVD mechanism assembly	Old DVD mechanism assembly	
Menu	-	DVD mechanism assembly(common) ma453_mu01.svgz	

## Description of Major ICs

Diagram Name	No.MA453<Rev.002>	No.MA453<Rev.003>	Description
Menu	IC398: EN29LV320AT70TP	IC398: JVM440B	

## PARTS LIST

### MODEL No. LIST

Model No.	No.MA453<Rev.003>
KW-NT1J	01
KW-NT1E	02

### General assembly [M1MM]

△	Symbol	or	Part No.		Part Name	Description	Qty	Models
			<Rev.002>	<Rev.003>				
	M1MM	98	-----	LV45408-001A	LABEL(M2/R2)	(Addition)	1	01
	M1MM	99	-----	LV45400-001A	LABEL(M2)	(Addition)	1	02

### FMU-XD3-22D DVD mechanism common [MUMM]

△	Symbol	or	Part No.		Part Name	Description	Qty	Models
			<Rev.002>	<Rev.003>				
	MUMM	1	-----	LV11434-008A	FRAME UNIT	(Addition)	1	01,02
	MUMM	2	-----	LV45021-001A	STOPPER	(Addition)	1	01,02
	MUMM	3	-----	LV44959-002A	SPECIAL SCREW	(Addition)	1	01,02
	MUMM	4	-----	LV45249-002A	L A SPRING(R) 2	(Addition)	1	01,02
	MUMM	5	-----	LV37639-002A	L ARM HOLDER	(Addition)	1	01,02
	MUMM	6	-----	VKZ4539-054	MINI SCREW	(Addition)	2	01,02
	MUMM	7	-----	LV37640-001A	DAMPER(R)	(Addition)	1	01,02
	MUMM	8	-----	LV37641-001A	DAMPER(F)	(Addition)	2	01,02
	MUMM	9	-----	LV45074-001A	DAMPER SPRING B	(Addition)	2	01,02
	MUMM	10	-----	LV45073-001A	DAMPER SPRING A	(Addition)	1	01,02
	MUMM	11	-----	LV44897-002A	FLOATING SPRING	(Addition)	1	01,02
	MUMM	12	-----	LV44894-001A	LOCK SLIDER SPR	(Addition)	1	01,02
	MUMM	13	-----	LV11436-001A	MOTOR HOLDER	(Addition)	1	01,02
	MUMM	14	-----	LV45135-001A	MINI TAP SCREW	(Addition)	2	01,02
	MUMM	15	-----	QAR0465-001	LOADING MOTOR	(Addition)	1	01,02
	MUMM	16	-----	QYSPSPU1425MA	SCREW	(Addition)	2	01,02
	MUMM	17	-----	LV37642-001A	MOTOR TH SPRING	(Addition)	1	01,02
	MUMM	18	-----	LV37643-001A	MOTOR WORM	(Addition)	1	01,02
	MUMM	19	-----	LV37644-002A	M WHEEL GEAR	(Addition)	1	01,02
	MUMM	20	-----	LV37645-002A	M CONNECT GEAR	(Addition)	1	01,02
	MUMM	21	-----	LV37646-001A	A WORM GEAR	(Addition)	1	01,02
	MUMM	22	-----	LV37647-001A	A WHEEL GEAR	(Addition)	1	01,02
	MUMM	23	-----	LV37648-001A	ACT GEAR	(Addition)	1	01,02
	MUMM	24	-----	LV37649-001A	A CONNECT GAER	(Addition)	1	01,02
	MUMM	25	-----	LV37650-001A	LOAD GAER	(Addition)	1	01,02
	MUMM	26	-----	LV22553-003A	GEAR BASE	(Addition)	1	01,02
	MUMM	27	-----	VKZ4539-054	MINI SCREW	(Addition)	2	01,02
	MUMM	28	-----	LV37688-002A	SLIDE CAM ASSY	(Addition)	1	01,02
	MUMM	29	-----	LV45090-001A	S.CAM SPRING	(Addition)	1	01,02
	MUMM	30	-----	LV11437-003A	TOP COVER	(Addition)	1	01,02
	MUMM	31	-----	LV45157-001A	SPACER	(Addition)	1	01,02
	MUMM	32	-----	LV11600-001A	DISC PLATE 2	(Addition)	1	01,02
	MUMM	33	-----	WJM0515-001A-E	E-SI C WIRE C-F	(Addition)	1	01,02
	MUMM	34	-----	LV44586-001A	SPECIAL SCREW	(Addition)	1	01,02
	MUMM	35	-----	LV22735-001A	LOADING A AS 2	(Addition)	1	01,02
	MUMM	36	-----	LV44902-002A	ROLLER	(Addition)	2	01,02
	MUMM	37	-----	LV45244-001A	ROLLER SHAFT 2	(Addition)	1	01,02
	MUMM	38	-----	LV37652-002A	SHAFT GUIDE	(Addition)	1	01,02
	MUMM	39	-----	LV45252-001A	WASHER	(Addition)	2	01,02

△	Symbol	or	Part No.		Part Name	Description	Qty	Models
			<Rev.002>	<Rev.003>				
	MUMM	40	-----	LV44960-001A	SLIT WASHER	(Addition)	2	01,02
	MUMM	41	-----	LV44904-001A	ROLLER COLLAR L	(Addition)	1	01,02
	MUMM	42	-----	LV45221-001A	R. COLLAR R2	(Addition)	1	01,02
	MUMM	43	-----	LV45235-001A	L ARM ROD	(Addition)	1	01,02
	MUMM	44	-----	LV37653-001A	CONNECT GEAR	(Addition)	1	01,02
	MUMM	45	-----	LV37654-001A	MIDDLE GEAR	(Addition)	1	01,02
	MUMM	46	-----	QYWDL1735250	SLIT WASHER	(Addition)	1	01,02
	MUMM	47	-----	LV37655-001A	ROLLER GAER	(Addition)	1	01,02
	MUMM	48	-----	LV45248-001A	L A SPRING(L) 2	(Addition)	1	01,02
	MUMM	49	-----	VKZ4539-054	MINI SCREW	(Addition)	5	01,02
	MUMM	50	-----	CM-FMUXD3D	TRA MECHA UNIT	(Addition)	1	01,02
	MUMM	51	-----	LV44910-002A	CLAMPER SPRING	(Addition)	1	01,02
	MUMM	52	-----	LV45289-002A	SPACER(P)	(Addition)	1	01,02
	MUMM	53	-----	VKZ4539-054	MINI SCREW	(Addition)	2	01,02

### FMU-XD3-21D Front end board Old All models [05]

△	Symbol	or	Part No.		Part Name	Description	Qty	Models
			<Rev.002>	<Rev.003>				
	05	IC398	EN29LV320AT70TP	JVM4401	IC		1	01,02

### FMU-XD3-22D Front end board common [05]

△	Symbol	or	Part No.		Part Name	Description	Qty	Models
			<Rev.002>	<Rev.003>				
	05	IC1	-----	BD8215EFV-X	IC	(Addition)	1	01,02
	05	IC3	-----	MM3233CF-X	IC	(Addition)	1	01,02
	05	IC301	-----	MN2DS0018MA	IC	(Addition)	1	01,02
	05	IC302	-----	MM1701CH-X	IC	(Addition)	1	01,02
	05	IC304	-----	S-80828CNNB-G-W	IC	(Addition)	1	01,02
	05	IC398	-----	JVM440B	IC	(Addition)	1	01,02
	05	IC399	-----	V54C3128164VCI7	IC	(Addition)	1	01,02
	05	IC399	or	HY57V281620FTH	IC(DIGITAL)	(Addition)	1	01,02
	05	IC400	-----	AK4387ET-X	IC	(Addition)	1	01,02
	05	IC481	-----	BR24S32FVT-W-X	IC(DIGITAL)	(Addition)	1	01,02
	05	IC501	-----	TC74LCX373FT-X	IC(DIGITAL)	(Addition)	1	01,02
	05	IC502	-----	TC74LCX373FT-X	IC(DIGITAL)	(Addition)	1	01,02
	05	Q2	-----	RT1N141U-X	DIGI TRANSISTOR	(Addition)	1	01,02
	05	Q4	-----	2SC3928A/R/-X	TRANSISTOR	(Addition)	1	01,02
	05	Q4	or	2SD601A/R/-X	TRANSISTOR	(Addition)	1	01,02
	05	Q7	-----	2SC3928A/R/-X	TRANSISTOR	(Addition)	1	01,02
	05	Q7	or	2SD601A/R/-X	TRANSISTOR	(Addition)	1	01,02
	05	Q101	-----	2SB1424/R/-W	TRANSISTOR	(Addition)	1	01,02
	05	Q102	-----	2SC4617/R/-X	TRANSISTOR	(Addition)	1	01,02
	05	Q103	-----	2SB1424/R/-W	TRANSISTOR	(Addition)	1	01,02
	05	Q104	-----	2SC4617/R/-X	TRANSISTOR	(Addition)	1	01,02
	05	Q105	-----	2SC4617/R/-X	TRANSISTOR	(Addition)	1	01,02
	05	Q106	-----	2SK3546J-X	MOS FET	(Addition)	1	01,02
	05	Q107	-----	2SK3546J-X	MOS FET	(Addition)	1	01,02
	05	Q301	-----	RT1N441U-X	DIGI TRANSISTOR	(Addition)	1	01,02
	05	Q302	-----	RT1N441U-X	DIGI TRANSISTOR	(Addition)	1	01,02
	05	D6	-----	AN1102W-6-X	IR LED	(Addition)	1	01,02
	05	D7	-----	AN1102W-6-X	IR LED	(Addition)	1	01,02
	05	D9	-----	PS1192HB-22-X	PHOTO TRANSISTOR	(Addition)	1	01,02
	05	D11	-----	PS1192HB-22-X	PHOTO TRANSISTOR	(Addition)	1	01,02
	05	C2	-----	NCB31CK-104X	C CAPACITOR	(Addition)	1	01,02
	05	C3	-----	NCB31CK-104X	C CAPACITOR	(Addition)	1	01,02
	05	C4	-----	NCB31CK-104X	C CAPACITOR	(Addition)	1	01,02
	05	C5	-----	NCB31CK-104X	C CAPACITOR	(Addition)	1	01,02
	05	C6	-----	NCB31CK-104X	C CAPACITOR	(Addition)	1	01,02
	05	C7	-----	NCB31CK-104X	C CAPACITOR	(Addition)	1	01,02
	05	C8	-----	NCB31CK-104X	C CAPACITOR	(Addition)	1	01,02
	05	C9	-----	NCB31CK-104X	C CAPACITOR	(Addition)	1	01,02
	05	C11	-----	NCB31CK-104X	C CAPACITOR	(Addition)	1	01,02
	05	C12	-----	NCB31CK-104X	C CAPACITOR	(Addition)	1	01,02
	05	C13	-----	NCB31CK-104X	C CAPACITOR	(Addition)	1	01,02
	05	C14	-----	NCB31CK-104X	C CAPACITOR	(Addition)	1	01,02
	05	C15	-----	NCB31CK-104X	C CAPACITOR	(Addition)	1	01,02
	05	C16	-----	NCB31CK-104X	C CAPACITOR	(Addition)	1	01,02

△	Symbol	or	Part No.		Part Name	Description	Qty	Models
			<Rev.002>	<Rev.003>				
05	C17		-----	NCB31CK-104X	C CAPACITOR	(Addition)	1	01,02
05	C18		-----	NCB31CK-104X	C CAPACITOR	(Addition)	1	01,02
05	C19		-----	NCB31CK-104X	C CAPACITOR	(Addition)	1	01,02
05	C20		-----	NCB31CK-104X	C CAPACITOR	(Addition)	1	01,02
05	C21		-----	NBE41AM-226X	TA E CAPACITOR	(Addition)	1	01,02
05	C22		-----	NBE41AM-476X	TA E CAPACITOR	(Addition)	1	01,02
05	C23		-----	NBE41AM-476X	TA E CAPACITOR	(Addition)	1	01,02
05	C24		-----	NCB31CK-104X	C CAPACITOR	(Addition)	1	01,02
05	C25		-----	NCB31CK-104X	C CAPACITOR	(Addition)	1	01,02
05	C26		-----	NCB31CK-104X	C CAPACITOR	(Addition)	1	01,02
05	C31		-----	NCB31HK-681X	C CAPACITOR	(Addition)	1	01,02
05	C32		-----	NCB31HK-561X	C CAPACITOR	(Addition)	1	01,02
05	C60		-----	NCB31HK-103X	C CAPACITOR	(Addition)	1	01,02
05	C63		-----	NBE20JM-226X	TA E CAPACITOR	(Addition)	1	01,02
05	C65		-----	NCB31CK-104X	C CAPACITOR	(Addition)	1	01,02
05	C66		-----	NCB31CK-104X	C CAPACITOR	(Addition)	1	01,02
05	C67		-----	NCB31HK-103X	C CAPACITOR	(Addition)	1	01,02
05	C68		-----	NCB31CK-104X	C CAPACITOR	(Addition)	1	01,02
05	C69		-----	NCB21CK-105X	C CAPACITOR	(Addition)	1	01,02
05	C70		-----	NCB31CK-104X	C CAPACITOR	(Addition)	1	01,02
05	C71		-----	NCB31CK-104X	C CAPACITOR	(Addition)	1	01,02
05	C72		-----	NCB31CK-105X	C CAPACITOR	(Addition)	1	01,02
05	C73		-----	NCB31CK-104X	C CAPACITOR	(Addition)	1	01,02
05	C74		-----	NCB31CK-104X	C CAPACITOR	(Addition)	1	01,02
05	C75		-----	NCB31CK-104X	C CAPACITOR	(Addition)	1	01,02
05	C76		-----	NCB31CK-104X	C CAPACITOR	(Addition)	1	01,02
05	C77		-----	NCB31CK-104X	C CAPACITOR	(Addition)	1	01,02
05	C78		-----	NCB31CK-104X	C CAPACITOR	(Addition)	1	01,02
05	C79		-----	NCB31CK-104X	C CAPACITOR	(Addition)	1	01,02
05	C80		-----	NCB21CK-105X	C CAPACITOR	(Addition)	1	01,02
05	C81		-----	NDC31HJ-120X	C CAPACITOR	(Addition)	1	01,02
05	C82		-----	NDC31HJ-150X	C CAPACITOR	(Addition)	1	01,02
05	C83		-----	NCB31CK-104X	C CAPACITOR	(Addition)	1	01,02
05	C84		-----	NCB31CK-333X	C CAPACITOR	(Addition)	1	01,02
05	C85		-----	NCB31CK-104X	C CAPACITOR	(Addition)	1	01,02
05	C86		-----	NCB31CK-104X	C CAPACITOR	(Addition)	1	01,02
05	C87		-----	NCB31CK-104X	C CAPACITOR	(Addition)	1	01,02
05	C88		-----	NCB31CK-104X	C CAPACITOR	(Addition)	1	01,02
05	C89		-----	NCB31HK-183X	C CAPACITOR	(Addition)	1	01,02
05	C90		-----	NCB31HK-562X	C CAPACITOR	(Addition)	1	01,02
05	C91		-----	NCB31CK-104X	C CAPACITOR	(Addition)	1	01,02
05	C92		-----	NCB21CK-105X	C CAPACITOR	(Addition)	1	01,02
05	C93		-----	NCB21CK-105X	C CAPACITOR	(Addition)	1	01,02
05	C99		-----	NCB31CK-104X	C CAPACITOR	(Addition)	1	01,02
05	C100		-----	NCB31CK-684X	C CAPACITOR	(Addition)	1	01,02
05	C101		-----	NCB31CK-104X	C CAPACITOR	(Addition)	1	01,02
05	C102		-----	NCB31CK-684X	C CAPACITOR	(Addition)	1	01,02
05	C106		-----	NCB31CK-104X	C CAPACITOR	(Addition)	1	01,02
05	C109		-----	NCB21CK-105X	C CAPACITOR	(Addition)	1	01,02
05	C113		-----	NCB21CK-105X	C CAPACITOR	(Addition)	1	01,02
05	C117		-----	NCB21CK-105X	C CAPACITOR	(Addition)	1	01,02
05	C118		-----	NCB31HK-103X	C CAPACITOR	(Addition)	1	01,02
05	C121		-----	NCB31CK-104X	C CAPACITOR	(Addition)	1	01,02
05	C122		-----	NCB31CK-104X	C CAPACITOR	(Addition)	1	01,02
05	C125		-----	NCB31CK-104X	C CAPACITOR	(Addition)	1	01,02
05	C126		-----	NCB31CK-104X	C CAPACITOR	(Addition)	1	01,02
05	C127		-----	NCB31CK-104X	C CAPACITOR	(Addition)	1	01,02
05	C128		-----	NCB31CK-104X	C CAPACITOR	(Addition)	1	01,02
05	C129		-----	NCB31CK-104X	C CAPACITOR	(Addition)	1	01,02
05	C130		-----	NCB31CK-104X	C CAPACITOR	(Addition)	1	01,02
05	C131		-----	NCB31CK-104X	C CAPACITOR	(Addition)	1	01,02
05	C132		-----	NCB31CK-104X	C CAPACITOR	(Addition)	1	01,02
05	C133		-----	NCB31CK-104X	C CAPACITOR	(Addition)	1	01,02
05	C134		-----	NCB31CK-104X	C CAPACITOR	(Addition)	1	01,02
05	C135		-----	NCB31CK-104X	C CAPACITOR	(Addition)	1	01,02
05	C136		-----	NCB31CK-104X	C CAPACITOR	(Addition)	1	01,02
05	C137		-----	NBE20JM-226X	TA E CAPACITOR	(Addition)	1	01,02
05	C139		-----	NBE20JM-226X	TA E CAPACITOR	(Addition)	1	01,02

△	Symbol	or	Part No.		Part Name	Description	Qty	Models
			<Rev.002>	<Rev.003>				
05	C142		-----	NDC31HJ-471X	C CAPACITOR	(Addition)	1	01,02
05	C143		-----	NBE20JM-226X	TA E CAPACITOR	(Addition)	1	01,02
05	C145		-----	NBE41AM-476X	TA E CAPACITOR	(Addition)	1	01,02
05	C148		-----	NCB31HK-331X	C CAPACITOR	(Addition)	1	01,02
05	C149		-----	NDC31HJ-471X	C CAPACITOR	(Addition)	1	01,02
05	C151		-----	NCB31CK-473X	C CAPACITOR	(Addition)	1	01,02
05	C155		-----	NDC31HJ-101X	C CAPACITOR	(Addition)	1	01,02
05	C156		-----	NCB31CK-104X	C CAPACITOR	(Addition)	1	01,02
05	C161		-----	NDC31HJ-471X	C CAPACITOR	(Addition)	1	01,02
05	C162		-----	NDC31HJ-471X	C CAPACITOR	(Addition)	1	01,02
05	C164		-----	NCB21CK-105X	C CAPACITOR	(Addition)	1	01,02
05	C167		-----	NDC31HJ-272X	C CAPACITOR	(Addition)	1	01,02
05	C170		-----	NCB31CK-104X	C CAPACITOR	(Addition)	1	01,02
05	C173		-----	NCB31CK-104X	C CAPACITOR	(Addition)	1	01,02
05	C174		-----	NCB31CK-104X	C CAPACITOR	(Addition)	1	01,02
05	C175		-----	NBE51CM-476X	TA E CAPACITOR	(Addition)	1	01,02
05	C176		-----	NCB31CK-104X	C CAPACITOR	(Addition)	1	01,02
05	C177		-----	NCB31CK-104X	C CAPACITOR	(Addition)	1	01,02
05	C178		-----	NCB31CK-104X	C CAPACITOR	(Addition)	1	01,02
05	C197		-----	NCB31CK-104X	C CAPACITOR	(Addition)	1	01,02
05	C199		-----	NCB31CK-104X	C CAPACITOR	(Addition)	1	01,02
05	C200		-----	NBE40JM-476X	TA E CAPACITOR	(Addition)	1	01,02
05	C201		-----	NCB31CK-104X	C CAPACITOR	(Addition)	1	01,02
05	C205		-----	NCB21AK-225X	C CAPACITOR	(Addition)	1	01,02
05	C206		-----	NDC31HJ-222X	C CAPACITOR	(Addition)	1	01,02
05	C211		-----	NCB31CK-104X	C CAPACITOR	(Addition)	1	01,02
05	C215		-----	NDC31HJ-181X	C CAPACITOR	(Addition)	1	01,02
05	C216		-----	NCB31CK-104X	C CAPACITOR	(Addition)	1	01,02
05	C218		-----	NCB31CK-104X	C CAPACITOR	(Addition)	1	01,02
05	C219		-----	NCB31CK-223X	C CAPACITOR	(Addition)	1	01,02
05	C220		-----	NCB31HK-102X	C CAPACITOR	(Addition)	1	01,02
05	C222		-----	NCB31CK-104X	C CAPACITOR	(Addition)	1	01,02
05	C223		-----	NCB31HK-102X	C CAPACITOR	(Addition)	1	01,02
05	C224		-----	NCB21AK-225X	C CAPACITOR	(Addition)	1	01,02
05	C225		-----	NBE51CM-476X	TA E CAPACITOR	(Addition)	1	01,02
05	C228		-----	NCB31HK-102X	C CAPACITOR	(Addition)	1	01,02
05	C229		-----	NCB31CK-223X	C CAPACITOR	(Addition)	1	01,02
05	C232		-----	NBE51CM-476X	TA E CAPACITOR	(Addition)	1	01,02
05	C233		-----	NCB21CK-105X	C CAPACITOR	(Addition)	1	01,02
05	C235		-----	NCB31HK-102X	C CAPACITOR	(Addition)	1	01,02
05	C237		-----	NDC31HJ-221X	C CAPACITOR	(Addition)	1	01,02
05	C238		-----	NCB31CK-104X	C CAPACITOR	(Addition)	1	01,02
05	C240		-----	NCB31CK-104X	C CAPACITOR	(Addition)	1	01,02
05	C241		-----	NCB31CK-104X	C CAPACITOR	(Addition)	1	01,02
05	R34		-----	NRSA63J-0R0X	MG RESISTOR	(Addition)	1	01,02
05	R46		-----	NRSA6AD-103W	MG RESISTOR	(Addition)	1	01,02
05	R47		-----	NRSA6AD-103W	MG RESISTOR	(Addition)	1	01,02
05	R49		-----	NRSA63J-0R0X	MG RESISTOR	(Addition)	1	01,02
05	R52		-----	NRSA6AD-103W	MG RESISTOR	(Addition)	1	01,02
05	R54		-----	NRSA6AD-910W	MG RESISTOR	(Addition)	1	01,02
05	R55		-----	NRSA6AD-910W	MG RESISTOR	(Addition)	1	01,02
05	R56		-----	NRSA63D-432X	MG RESISTOR	(Addition)	1	01,02
05	R57		-----	NRSA63D-242X	MG RESISTOR	(Addition)	1	01,02
05	R58		-----	NRS125J-390X	MG RESISTOR	(Addition)	1	01,02
05	R59		-----	NRSA63J-2R2X	MG RESISTOR	(Addition)	1	01,02
05	R60		-----	NRSA6AD-102W	MG RESISTOR	(Addition)	1	01,02
05	R61		-----	NRSA6AD-471W	MG RESISTOR	(Addition)	1	01,02
05	R62		-----	NRSA6AD-471W	MG RESISTOR	(Addition)	1	01,02
05	R64		-----	NRSA63D-432X	MG RESISTOR	(Addition)	1	01,02
05	R65		-----	NRSA63D-242X	MG RESISTOR	(Addition)	1	01,02
05	R66		-----	NRS125J-120X	MG RESISTOR	(Addition)	1	01,02
05	R67		-----	NRSA63J-2R2X	MG RESISTOR	(Addition)	1	01,02
05	R68		-----	NRSA6AD-102W	MG RESISTOR	(Addition)	1	01,02
05	R69		-----	NRSA63J-471X	MG RESISTOR	(Addition)	1	01,02
05	R70		-----	NRSA6AD-331W	MG RESISTOR	(Addition)	1	01,02
05	R79		-----	NRSA6AD-104W	MG RESISTOR	(Addition)	1	01,02
05	R92		-----	NRSA63J-473X	MG RESISTOR	(Addition)	1	01,02
05	R93		-----	NRSA63J-203X	MG RESISTOR	(Addition)	1	01,02

△	Symbol	or	Part No.		Part Name	Description	Qty	Models
			<Rev.002>	<Rev.003>				
05	R94		-----	NRSA63J-223X	MG RESISTOR	(Addition)	1	01,02
05	R99		-----	NRSA63J-0R0X	MG RESISTOR	(Addition)	1	01,02
05	R100		-----	NRSA6AD-103W	MG RESISTOR	(Addition)	1	01,02
05	R107		-----	NRSA63J-152X	MG RESISTOR	(Addition)	1	01,02
05	R112		-----	NRSA63J-223X	MG RESISTOR	(Addition)	1	01,02
05	R117		-----	NRSA6AD-103W	MG RESISTOR	(Addition)	1	01,02
05	R120		-----	NRSA63J-152X	MG RESISTOR	(Addition)	1	01,02
05	R122		-----	NRSA6AD-103W	MG RESISTOR	(Addition)	1	01,02
05	R128		-----	NRSA6AD-270W	MG RESISTOR	(Addition)	1	01,02
05	R129		-----	NRSA6AD-103W	MG RESISTOR	(Addition)	1	01,02
05	R131		-----	NRSA6AD-102W	MG RESISTOR	(Addition)	1	01,02
05	R132		-----	NRSA6AD-102W	MG RESISTOR	(Addition)	1	01,02
05	R133		-----	NRSA6AD-223W	MG RESISTOR	(Addition)	1	01,02
05	R135		-----	NRSA63J-102X	MG RESISTOR	(Addition)	1	01,02
05	R137		-----	NRSA63J-0R0X	MG RESISTOR	(Addition)	1	01,02
05	R139		-----	NRSA63J-0R0X	MG RESISTOR	(Addition)	1	01,02
05	R141		-----	NRSA63D-332X	MG RESISTOR	(Addition)	1	01,02
05	R142		-----	NRSA63J-0R0X	MG RESISTOR	(Addition)	1	01,02
05	R143		-----	NRSA6AD-101W	MG RESISTOR	(Addition)	1	01,02
05	R144		-----	NRSA6AD-103W	MG RESISTOR	(Addition)	1	01,02
05	R145		-----	NRSA6AD-103W	MG RESISTOR	(Addition)	1	01,02
05	R147		-----	NRSA63J-104X	MG RESISTOR	(Addition)	1	01,02
05	R152		-----	NRSA63J-0R0X	MG RESISTOR	(Addition)	1	01,02
05	R153		-----	NRSA63D-162X	MG RESISTOR	(Addition)	1	01,02
05	R155		-----	NRSA63J-0R0X	MG RESISTOR	(Addition)	1	01,02
05	R156		-----	NRSA63J-0R0X	MG RESISTOR	(Addition)	1	01,02
05	R160		-----	NRSA63D-303X	MG RESISTOR	(Addition)	1	01,02
05	R163		-----	NRSA6AD-103W	MG RESISTOR	(Addition)	1	01,02
05	R164		-----	NRSA63J-181X	MG RESISTOR	(Addition)	1	01,02
05	R165		-----	NRSA6AD-473W	MG RESISTOR	(Addition)	1	01,02
05	R166		-----	NRSA6AD-473W	MG RESISTOR	(Addition)	1	01,02
05	R167		-----	NRSA6AD-473W	MG RESISTOR	(Addition)	1	01,02
05	R168		-----	NRSA6AD-473W	MG RESISTOR	(Addition)	1	01,02
05	R170		-----	NRSA6AD-471W	MG RESISTOR	(Addition)	1	01,02
05	R171		-----	NRSA63J-105X	MG RESISTOR	(Addition)	1	01,02
05	R172		-----	NRSA6AD-101W	MG RESISTOR	(Addition)	1	01,02
05	R173		-----	NRSA6AD-101W	MG RESISTOR	(Addition)	1	01,02
05	R174		-----	NRSA6AD-101W	MG RESISTOR	(Addition)	1	01,02
05	R177		-----	NRSA63J-0R0X	MG RESISTOR	(Addition)	1	01,02
05	R178		-----	NRSA63J-0R0X	MG RESISTOR	(Addition)	1	01,02
05	R181		-----	NQR0129-002X	FERRITE BEADS	(Addition)	1	01,02
05	R189		-----	NRSA6AD-331W	MG RESISTOR	(Addition)	1	01,02
05	R190		-----	NRSA6AD-331W	MG RESISTOR	(Addition)	1	01,02
05	R195		-----	NRSA6AD-103W	MG RESISTOR	(Addition)	1	01,02
05	R201		-----	NRSA63J-102X	MG RESISTOR	(Addition)	1	01,02
05	R205		-----	NRSA6AD-103W	MG RESISTOR	(Addition)	1	01,02
05	R211		-----	NRSA6AD-473W	MG RESISTOR	(Addition)	1	01,02
05	R213		-----	NRSA63J-100X	MG RESISTOR	(Addition)	1	01,02
05	R215		-----	NRSA63D-122X	MG RESISTOR	(Addition)	1	01,02
05	R216		-----	NRSA63D-122X	MG RESISTOR	(Addition)	1	01,02
05	R217		-----	NRSA6AD-100W	MG RESISTOR	(Addition)	1	01,02
05	R219		-----	NRSA63J-150X	MG RESISTOR	(Addition)	1	01,02
05	R220		-----	NRSA63J-0R0X	MG RESISTOR	(Addition)	1	01,02
05	R223		-----	NRSA63J-4R7X	MG RESISTOR	(Addition)	1	01,02
05	R226		-----	NRSA6AD-473W	MG RESISTOR	(Addition)	1	01,02
05	R229		-----	NRSA63J-0R0X	MG RESISTOR	(Addition)	1	01,02
05	R233		-----	NRSA6AD-103W	MG RESISTOR	(Addition)	1	01,02
05	R264		-----	NRSA63J-0R0X	MG RESISTOR	(Addition)	1	01,02
05	R265		-----	NRSA6AD-103W	MG RESISTOR	(Addition)	1	01,02
05	R267		-----	NRSA63D-472X	MG RESISTOR	(Addition)	1	01,02
05	R268		-----	NRSA63J-0R0X	MG RESISTOR	(Addition)	1	01,02
05	R309		-----	NRS125J-R47X	MG RESISTOR	(Addition)	1	01,02
05	R310		-----	NRSA6AD-333W	MG RESISTOR	(Addition)	1	01,02
05	R311		-----	NRSA63J-391X	MG RESISTOR	(Addition)	1	01,02
05	R318		-----	NRSA63J-203X	MG RESISTOR	(Addition)	1	01,02
05	R319		-----	NRSA6AD-622W	MG RESISTOR	(Addition)	1	01,02
05	R323		-----	NRSA6AD-391W	MG RESISTOR	(Addition)	1	01,02
05	R324		-----	NRSA63D-682X	MG RESISTOR	(Addition)	1	01,02

△	Symbol	or	Part No.		Part Name	Description	Qty	Models
			<Rev.002>	<Rev.003>				
05	R325		-----	NRSA63D-753X	MG RESISTOR	(Addition)	1	01,02
05	R329		-----	NRS125J-R47X	MG RESISTOR	(Addition)	1	01,02
05	R330		-----	NRSA63J-0R0X	MG RESISTOR	(Addition)	1	01,02
05	R352		-----	NRSA6AD-102W	MG RESISTOR	(Addition)	1	01,02
05	R357		-----	NRS125J-R22X	MG RESISTOR	(Addition)	1	01,02
05	R359		-----	NRSA6AD-243W	MG RESISTOR	(Addition)	1	01,02
05	R362		-----	NRSA63J-103X	MG RESISTOR	(Addition)	1	01,02
05	R364		-----	NRSA63J-391X	MG RESISTOR	(Addition)	1	01,02
05	R365		-----	NRSA6AD-103W	MG RESISTOR	(Addition)	1	01,02
05	R366		-----	NRS125J-R22X	MG RESISTOR	(Addition)	1	01,02
05	R367		-----	NRSA6AD-104W	MG RESISTOR	(Addition)	1	01,02
05	R369		-----	NRS125J-R22X	MG RESISTOR	(Addition)	1	01,02
05	R371		-----	NRSA63J-0R0X	MG RESISTOR	(Addition)	1	01,02
05	R375		-----	NRSA6AD-152W	MG RESISTOR	(Addition)	1	01,02
05	R376		-----	NRSA6AD-822W	MG RESISTOR	(Addition)	1	01,02
05	R379		-----	NRSA63D-332X	MG RESISTOR	(Addition)	1	01,02
05	R380		-----	NRSA63J-223X	MG RESISTOR	(Addition)	1	01,02
05	R382		-----	NRSA6AD-102W	MG RESISTOR	(Addition)	1	01,02
05	R383		-----	NRSA63J-223X	MG RESISTOR	(Addition)	1	01,02
05	R384		-----	NRSA6AD-104W	MG RESISTOR	(Addition)	1	01,02
05	R386		-----	NRSA6AD-184W	MG RESISTOR	(Addition)	1	01,02
05	R387		-----	NRSA63D-473X	MG RESISTOR	(Addition)	1	01,02
05	R391		-----	NRSA6AD-822W	MG RESISTOR	(Addition)	1	01,02
05	R392		-----	NRSA63J-103X	MG RESISTOR	(Addition)	1	01,02
05	R393		-----	NRSA6AD-103W	MG RESISTOR	(Addition)	1	01,02
05	R394		-----	NRSA63J-273X	MG RESISTOR	(Addition)	1	01,02
05	R397		-----	NRSA6AD-101W	MG RESISTOR	(Addition)	1	01,02
05	R400		-----	NRSA6AD-153W	MG RESISTOR	(Addition)	1	01,02
05	R402		-----	NRSA6AD-473W	MG RESISTOR	(Addition)	1	01,02
05	R403		-----	NRSA63J-101X	MG RESISTOR	(Addition)	1	01,02
05	R406		-----	NRS125J-R22X	MG RESISTOR	(Addition)	1	01,02
05	R417		-----	NRSA63J-183X	MG RESISTOR	(Addition)	1	01,02
05	R419		-----	NRSA63D-104X	MG RESISTOR	(Addition)	1	01,02
05	R420		-----	NRSA6AD-184W	MG RESISTOR	(Addition)	1	01,02
05	L302		-----	NQLJ6GK-100X	COIL	(Addition)	1	01,02
05	L303		-----	NRSA02J-0R0X	MG RESISTOR	(Addition)	1	01,02
05	CN1		-----	QGF0523F3-20W	CONNECTOR	(Addition)	1	01,02
05	CN2		-----	QGA1002F1-03X	CONNECTOR	(Addition)	1	01,02
05	CN101		-----	QGF0522F2-26W	CONNECTOR	(Addition)	1	01,02
05	CN403		-----	QGF0534F3-50X	CONNECTOR	(Addition)	1	01,02
05	K101		-----	NQR0007-002X	FERRITE BEADS	(Addition)	1	01,02
05	K102		-----	NQR0007-002X	FERRITE BEADS	(Addition)	1	01,02
05	K103		-----	NQR0502-001X	FERRITE BEADS	(Addition)	1	01,02
05	K108		-----	NQR0129-002X	FERRITE BEADS	(Addition)	1	01,02
05	K113		-----	NQR0502-001X	FERRITE BEADS	(Addition)	1	01,02
05	K114		-----	NRSA63J-0R0X	MG RESISTOR	(Addition)	1	01,02
05	K115		-----	NRSA63J-0R0X	MG RESISTOR	(Addition)	1	01,02
05	K117		-----	NRSA63J-0R0X	MG RESISTOR	(Addition)	1	01,02
05	K118		-----	NRSA63J-0R0X	MG RESISTOR	(Addition)	1	01,02
05	K119		-----	NRSA63J-0R0X	MG RESISTOR	(Addition)	1	01,02
05	K120		-----	NRSA63J-0R0X	MG RESISTOR	(Addition)	1	01,02
05	K121		-----	NRSA63J-0R0X	MG RESISTOR	(Addition)	1	01,02
05	K131		-----	NQR0022-005X	FERRITE BEADS	(Addition)	1	01,02
05	K132		-----	NQR0022-005X	FERRITE BEADS	(Addition)	1	01,02
05	K133		-----	NQR0022-005X	FERRITE BEADS	(Addition)	1	01,02
05	K135		-----	NRSA63J-0R0X	MG RESISTOR	(Addition)	1	01,02
05	K136		-----	NRSA63J-0R0X	MG RESISTOR	(Addition)	1	01,02
05	K137		-----	NRSA63J-0R0X	MG RESISTOR	(Addition)	1	01,02
05	K141		-----	NRSA63J-0R0X	MG RESISTOR	(Addition)	1	01,02
05	K142		-----	NRSA63J-0R0X	MG RESISTOR	(Addition)	1	01,02
05	S1		-----	NSW0313-001X	DETECT SWITCH	(Addition)	1	01,02
05	TH491		-----	NAD0025-103X	N THERMISTOR	(Addition)	1	01,02
05	X351		-----	NAX0741-001X	CRYSTAL	(Addition)	1	01,02



**JVC**

Victor Company of Japan, Limited

Mobile Entertainment Division 10-1,1chome,Ohwatari-machi,Maebashi-city,371-8543,Japan



# PARTS LIST

KW-NT1J, KW-NT1E

MODEL	MARK
KW-NT1J	A
KW-NT1E	B

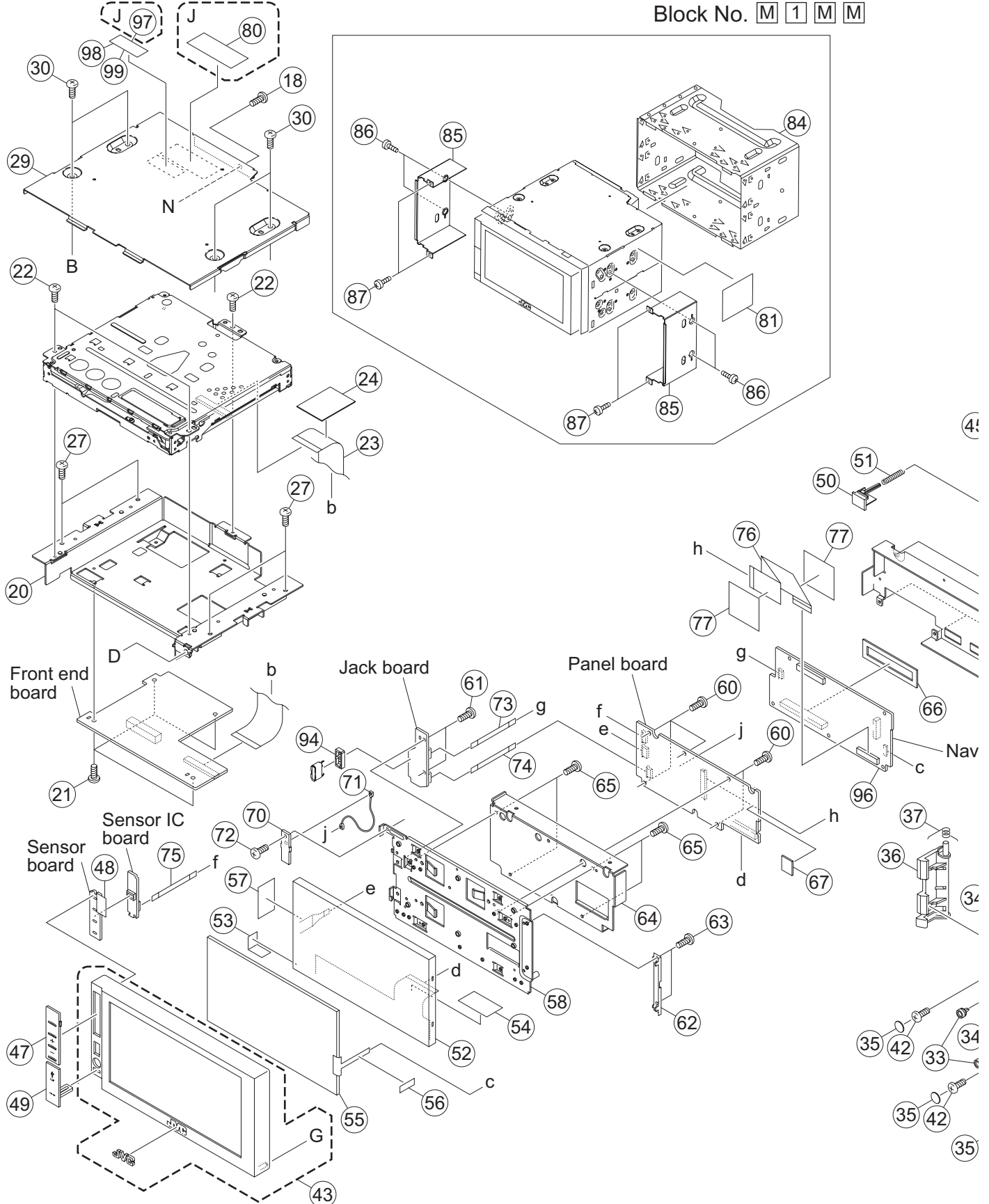
\* All printed circuit boards and its assemblies are not available as service parts.

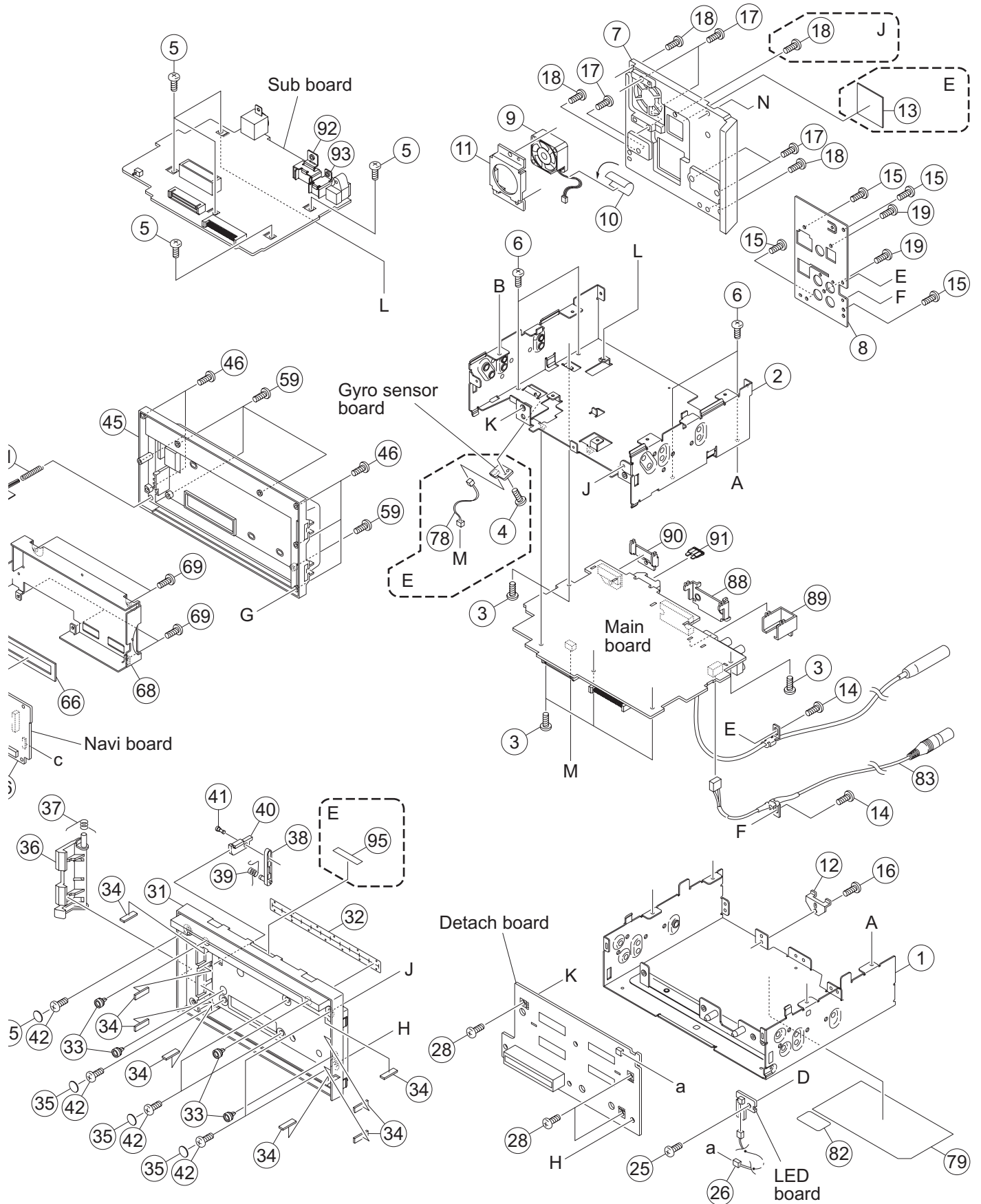
- Contents -

Exploded view of general assembly and parts list (Block No.M1) ..... 3- 2  
DVD mechanism assembly and parts list (Block No.MJ) old ..... 3- 6  
DVD mechanism assembly and parts list (Block No.MU) common ..... 3- 8  
Electrical parts list (Block No.01~10) ..... 3-10  
Packing materials and accessories parts list (Block No.M3) ..... 3-36

# Exploded view of general assembly and parts list

Block No. M 1 M M





The parts without symbol number are not service.

# General Assembly

Block No. [M][1][M][M]

△	Symbol No.	Part No.	Part Name	Description	Local
	1	LV22754-002A	B.CHASSIS ASSY		
	2	LV11632-002A	TOP CHASSIS		
	3	LV44800-005A	SPECIAL SCREW	(x5)	
	4	LV44800-005A	SPECIAL SCREW		B
	5	LV44800-005A	SPECIAL SCREW	(x5)	
	6	LV44800-005A	SPECIAL SCREW	(x4)	
	7	LV11636-003A	REAR HEAT SINK		
	8	LV45321-002A	REAR BRACKET		
	9	QAR0455-001	COOLING FAN		
	10	LV40847-002A	SPACER		
	11	LV37313-001A	FAN BKT(IN)		
	12	LV45320-001A	POWER BKT		
	13	LV45319-001A	COVER SHEET		B
	14	LV44800-005A	SPECIAL SCREW	(x2)	
	15	LV44800-005A	SPECIAL SCREW	(x4)	
	16	LV44800-005A	SPECIAL SCREW		
	17	LV41200-007A	SPECIAL SCREW	(x5)	
	18	LV44800-005A	SPECIAL SCREW	(x5)	A
	18	LV44800-005A	SPECIAL SCREW	(x4)	B
	19	QYSDSF2608ZA	TAP SCREW	M2.6 x 8mm(x2)	
	20	LV11633-001A	MECHA HOLD BKT		
	21	LV44800-005A	SPECIAL SCREW	(x4)	
	22	LV44800-005A	SPECIAL SCREW	(x3)	
	23	QUQU05-5007BC-E	FFC WIRE	50pin 7cm	
	24	LV44494-004A	PROTECT SHEET		
	25	LV44800-005A	SPECIAL SCREW		
	26	QJJ075-020702-E	SIN CR C-C WIRE		
	27	LV44800-005A	SPECIAL SCREW	(x4)	
	28	LV44800-005A	SPECIAL SCREW	(x3)	
	29	LV11635-001A	TOP COVER		
	30	LV44800-005A	SPECIAL SCREW	(x4)	
	31	LV22757-004A	F.CHASSIS ASSY		
	32	LV45134-002A	BLIND		
	33	LV44748-002A	DUMPER	(x4)	
	34	LV45314-001A	SHEET(FRONT)	(x8)	
	35	LV45009-002A	SCREW CAP	(x6)	
	36	LV22752-001A	LOCK LEVER		
	37	LV45281-002A	LOCK SPRING		
	38	LV38632-001A	KICK LEVER		
	39	LV45282-001A	KICK SPRING		
	40	LV38633-001A	RELEASE LEVER		
	41	LV38636-001A	SHAFT(RELEASE)		
	42	QYSDST2006ZA	TAP SCREW	M2 x 6mm(x6)	
	43	LV38851-001A	FRONT PANEL ASSY		A
	43	LV38851-002A	FRONT PANEL ASSY		B
	45	LV11627-003A	REAR COVER		
	46	VKZ4777-012	ANTI-THEFT SRW	(x6)	
	47	LV38619-002A	SENCOR PLATE		
	48	LV40848-088A	SPACER(P)		
	49	LV38620-003A	JACK COVER		
	50	LV38621-001A	DETACH BUTTON		
	51	LV45283-001A	COMP.SPRING		
	52	QLD0615-001	LCD MODULE		
	53	LV40848-073A	SPACER(P)		
	54	LV40847-053A	SPACER(H)		
	55	QAL1195-001	TOUCH PANEL		
	56	LV40847-051A	SPACER(H)		
	57	LV40848-089A	SPACER(H)		
	58	LV38622-002A	PANEL BKT ASSY		
	59	LV44159-005A	MINI SCREW	(x4)	
	60	LV44615-001A	SPECIAL SCREW	(x5)	
	61	LV44615-001A	SPECIAL SCREW	(x2)	
	62	LV38624-001A	LCD HOLDER R		
	63	VKZ4539-055	MINI SCREW	(x2)	
	64	LV22748-002A	SHIELD CASE		
	65	VKZ4539-055	MINI SCREW	(x4)	
	66	LV45313-001A	INSULATOR		
	67	LV40848-085A	SPACER (P)		
	68	LV38625-002A	SHIELD TOP ASSY		
	69	LV44615-001A	SPECIAL SCREW	(x5)	
	70	LVA10808-01AD	BT ANT		
	71	QAM1059-001	COAXIAL CABLE		
	72	LV44615-001A	SPECIAL SCREW		
	73	QUQU05-0704AC-E	FFC WIRE	7pin 4cm	

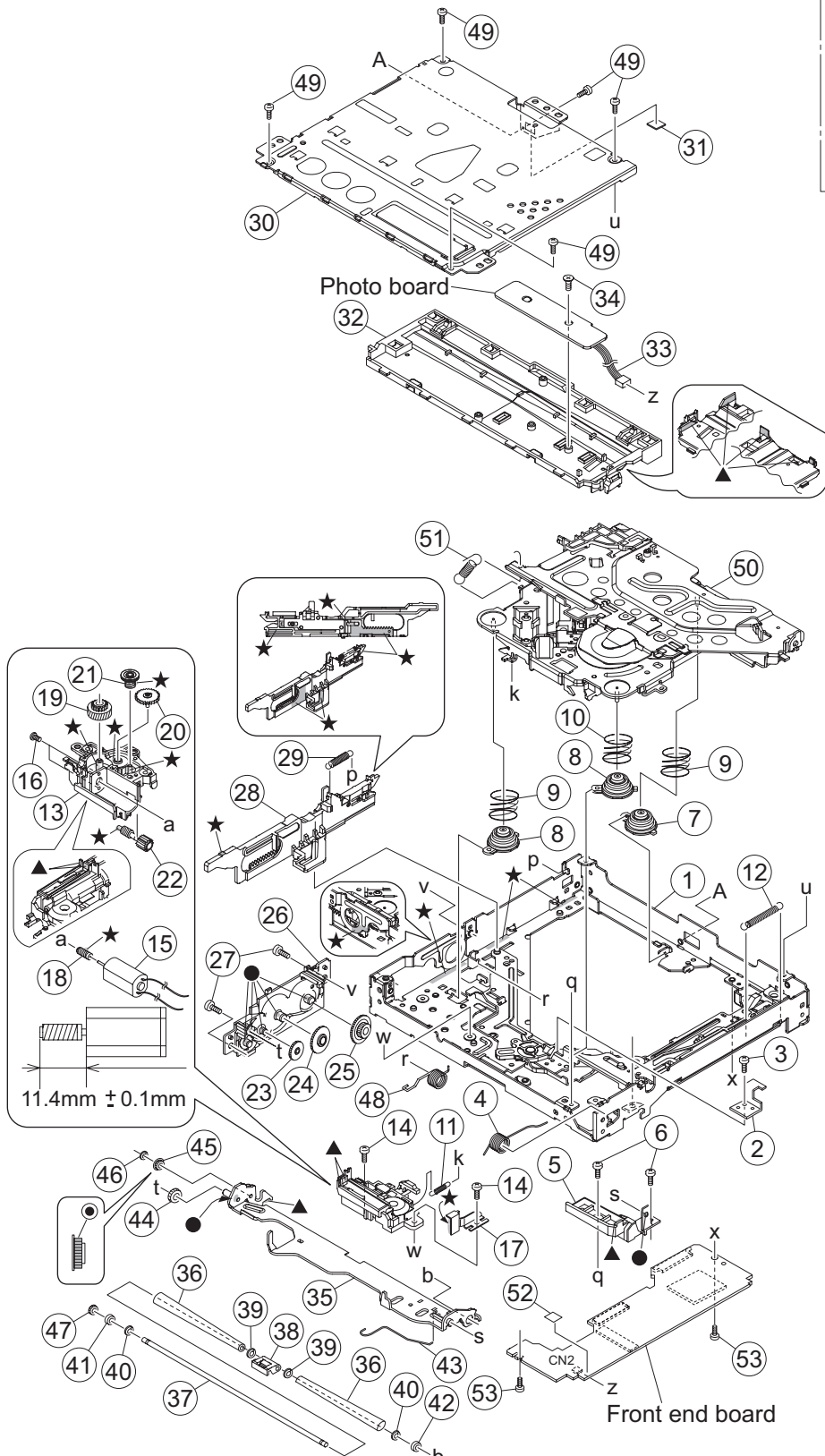
△	Symbol No.	Part No.	Part Name	Description	Local
	74	QUQU05-0604AC-E	FFC WIRE	6pin 4cm	
	75	QUQU05-1004AC-E	FFC WIRE	10pin 4cm	
	76	QUQU05-4015AC-E	FFC WIRE	40pin 15cm	
	77	LV45315-001A	PROTECT SHEET	(x2)	
	78	WJJ1060-001A-E	E-SI C WIRE C-C		B
	79	LV38717-002A	NAME PLATE		A
	79	LV38718-002A	NAME PLATE		B
	80	LV45288-001A	FCC ID LABEL		A
	81	LV42940-002A	CAUTION LABEL		
	82	LV44938-001A	WINDOWS LABEL		
	83	QAM1216-001	CAR CABLE		
	84	LV22425-007A	SLEEVE ASSY		
	85	LV37151-005A	SUPPORT BKT	(x2)	
	86	QYSSSP5008ZA	SCREW	M5 x 8mm(x4)	
	87	QYSDSP2603ZA	SCREW	M2.6 x 3mm(x4)	
	88	LV43967-001A	IC BRACKET	BK233	
	89	LV38635-001A	GPS BKT	BK241	
	90	LV37825-004A	REG. IC BKT	BK291	
△	91	QMFZ039-150-T	FUSE	15A F2900	
	92	LV36554-002A	CONNECTOR BKT	BK331	
	93	LV38639-001A	MIC BKT	BK381	
	94	GE40416-001A	USB HOLDER	J8501	
	95	LV40847-054A	SPACER(H)		B
	96	CB-NT1JD	NAVI BOARD ASSY		A
	96	CB-NT1ED	NAVI BOARD ASSY		B
	97	LV45386-001A	LABEL(R2)	When electrical boards of KW-NT1J are exchanged, this label is pasted.	A
	98	LV45408-001A	LABEL(M2/R2)	When mechanism exchanges from "FMU-XD3-21D" to "FMU-XD3-22D", and Electrical boards are exchanged, this label is pasted.	A
	99	LV45400-001A	LABEL(M2)	When mechanism of KW-NT1E is exchanged from "FMU-XD3-21D" to "FMU-XD3-22D", this label is pasted.	

# Old DVD mechanism assembly and parts list

FMU-XD3-21D

Block No. M J M M

Grease	
★	=JVG-31N
●	=JVS-1003
▲	=CFD-006ZR
●	=JC-803B
■	=1401C
△	=G332



The parts without symbol number are not service.

# Old DVD mechanism [FMU-XD3-21D]

Block No. [M][J][M][M]

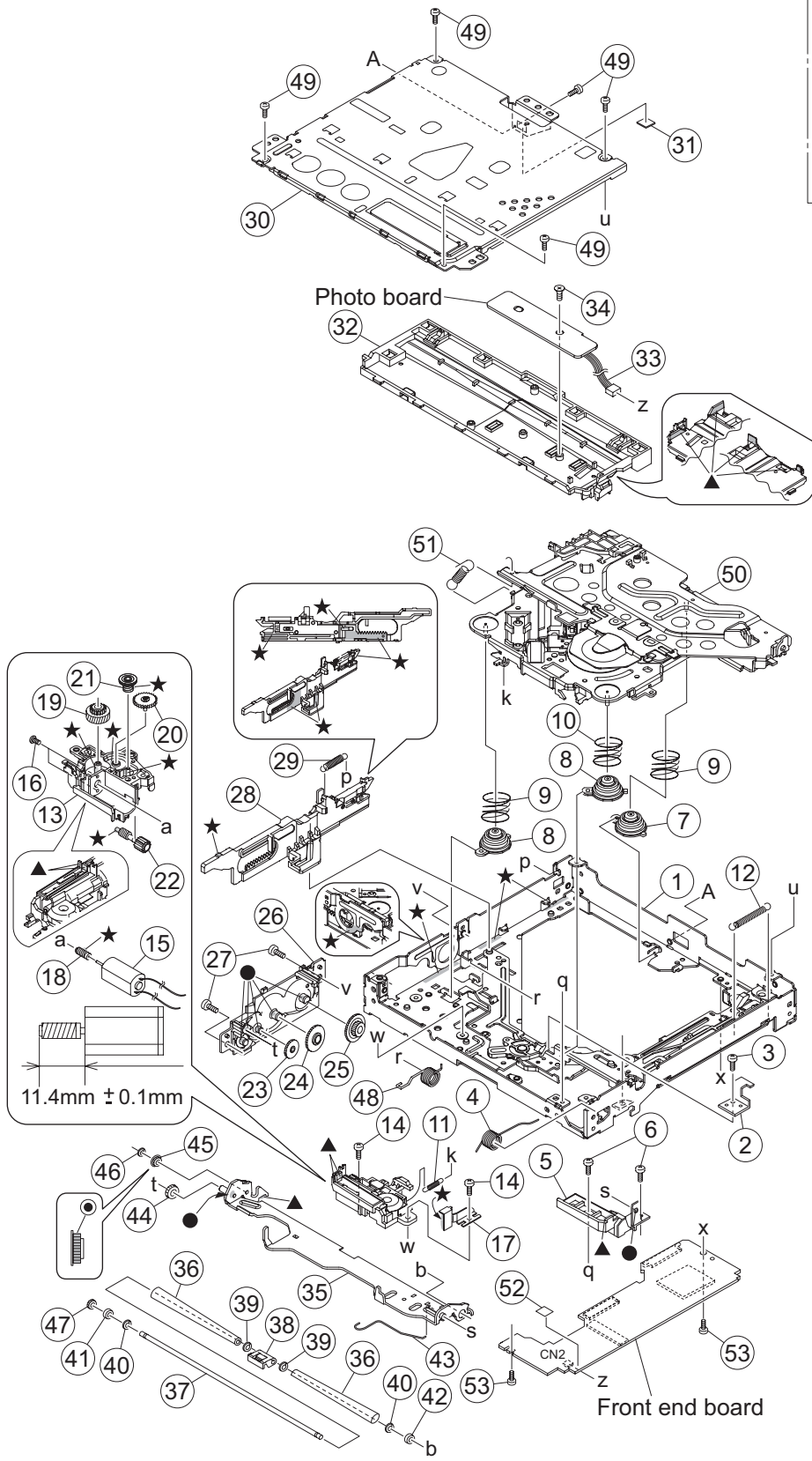
△	Symbol No.	Part No.	Part Name	Description	Local
	1	LV11434-008A	FRAME UNIT		
	2	LV45021-001A	STOPPER		
	3	LV44959-002A	SPECIAL SCREW		
	4	LV45249-002A	L A SPRING(R) 2		
	5	LV37639-002A	L ARM HOLDER		
	6	VKZ4539-054	MINI SCREW	(x2)	
	7	LV37640-001A	DAMPER(R)		
	8	LV37641-001A	DAMPER(F)	(x2)	
	9	LV45074-001A	DAMPER SPRING B	(x2)	
	10	LV45073-001A	DAMPER SPRING A		
	11	LV44897-002A	FLOATING SPRING		
	12	LV44894-001A	LOCK SLIDER SPR		
	13	LV11436-001A	MOTOR HOLDER		
	14	LV45135-001A	MINI TAP SCREW	(x2)	
	15	QAR0465-001	LOADING MOTOR		
	16	QYSPSPU1425MA	SCREW	M1.4 x 2.5mm(x2)	
	17	LV37642-001A	MOTOR TH SPRING		
	18	LV37643-001A	MOTOR WORM		
	19	LV37644-002A	M WHEEL GEAR		
	20	LV37645-002A	M CONNECT GEAR		
	21	LV37646-001A	A WORM GEAR		
	22	LV37647-001A	A WHEEL GEAR		
	23	LV37648-001A	ACT GEAR		
	24	LV37649-001A	A CONNECT GAER		
	25	LV37650-001A	LOAD GAER		
	26	LV22553-003A	GEAR BASE		
	27	VKZ4539-054	MINI SCREW	(x2)	
	28	LV37688-002A	SLIDE CAM ASSY		
	29	LV45090-001A	S.CAM SPRING		
	30	LV11437-003A	TOP COVER		
	31	LV45157-001A	SPACER		
	32	LV11600-001A	DISC PLATE 2		
	33	WJM0515-001A-E	E-SI C WIRE C-F		
	34	LV44586-001A	SPECIAL SCREW		
	35	LV22735-001A	LOADING A AS 2		
	36	LV44902-002A	ROLLER	(x2)	
	37	LV45244-001A	ROLLER SHAFT 2		
	38	LV37652-002A	SHAFT GUIDE		
	39	LV45252-001A	WASHER	(x2)	
	40	LV44960-001A	SLIT WASHER	(x2)	
	41	LV44904-001A	ROLLER COLLAR L		
	42	LV45221-001A	R. COLLAR R2		
	43	LV45235-001A	L ARM ROD		
	44	LV37653-001A	CONNECT GEAR		
	45	LV37654-001A	MIDDLE GEAR		
	46	QYWDL1735250	SLIT WASHER	3.5mm/1.7mm x 0.25mm	
	47	LV37655-001A	ROLLER GAER		
	48	LV45248-001A	L A SPRING(L) 2		
	49	VKZ4539-054	MINI SCREW	(x5)	
	50	CM-FMUXD3D	TRA MECHA UNIT		
	51	LV44910-002A	CLAMPER SPRING		
	52	LV45289-002A	SPACER(P)		
	53	VKZ4539-054	MINI SCREW	(x2)	

# DVD mechanism assembly and parts list (common)

FMU-XD3-22D

Block No. M U M M

Grease	
★	=JVG-31N
◎	=JVS-1003
▲	=CFD-006ZR
●	=JC-803B
■	=1401C
△	=G332



The parts without symbol number are not service.



# DVD mechanism (common) [FMU-XD3-22D]

Block No. [M][U][M][M]

△	Symbol No.	Part No.	Part Name	Description	Local
	1	LV11434-008A	FRAME UNIT		
	2	LV45021-001A	STOPPER		
	3	LV44959-002A	SPECIAL SCREW		
	4	LV45249-002A	L A SPRING(R) 2		
	5	LV37639-002A	L ARM HOLDER		
	6	VKZ4539-054	MINI SCREW	(x2)	
	7	LV37640-001A	DAMPER(R)		
	8	LV37641-001A	DAMPER(F)	(x2)	
	9	LV45074-001A	DAMPER SPRING B	(x2)	
	10	LV45073-001A	DAMPER SPRING A		
	11	LV44897-002A	FLOATING SPRING		
	12	LV44894-001A	LOCK SLIDER SPR		
	13	LV11436-001A	MOTOR HOLDER		
	14	LV45135-001A	MINI TAP SCREW	(x2)	
	15	QAR0465-001	LOADING MOTOR		
	16	QYSPSPU1425MA	SCREW	M1.4 x 2.5mm(x2)	
	17	LV37642-001A	MOTOR TH SPRING		
	18	LV37643-001A	MOTOR WORM		
	19	LV37644-002A	M WHEEL GEAR		
	20	LV37645-002A	M CONNECT GEAR		
	21	LV37646-001A	A WORM GEAR		
	22	LV37647-001A	A WHEEL GEAR		
	23	LV37648-001A	ACT GEAR		
	24	LV37649-001A	A CONNECT GAER		
	25	LV37650-001A	LOAD GAER		
	26	LV22553-003A	GEAR BASE		
	27	VKZ4539-054	MINI SCREW	(x2)	
	28	LV37688-002A	SLIDE CAM ASSY		
	29	LV45090-001A	S.CAM SPRING		
	30	LV11437-003A	TOP COVER		
	31	LV45157-001A	SPACER		
	32	LV11600-001A	DISC PLATE 2		
	33	WJM0515-001A-E	E-SI C WIRE C-F		
	34	LV44586-001A	SPECIAL SCREW		
	35	LV22735-001A	LOADING A AS 2		
	36	LV44902-002A	ROLLER	(x2)	
	37	LV45244-001A	ROLLER SHAFT 2		
	38	LV37652-002A	SHAFT GUIDE		
	39	LV45252-001A	WASHER	(x2)	
	40	LV44960-001A	SLIT WASHER	(x2)	
	41	LV44904-001A	ROLLER COLLAR L		
	42	LV45221-001A	R. COLLAR R2		
	43	LV45235-001A	L ARM ROD		
	44	LV37653-001A	CONNECT GEAR		
	45	LV37654-001A	MIDDLE GEAR		
	46	QYWDL1735250	SLIT WASHER	3.5mm/1.7mm x 0.25mm	
	47	LV37655-001A	ROLLER GAER		
	48	LV45248-001A	L A SPRING(L) 2		
	49	VKZ4539-054	MINI SCREW	(x5)	
	50	CM-FMUXD3D	TRA MECHA UNIT		
	51	LV44910-002A	CLAMPER SPRING		
	52	LV45289-002A	SPACER(P)		
	53	VKZ4539-054	MINI SCREW	(x2)	

# Electrical parts list

## Old Main board (old KW-NT1J)

Block No. [0][1]

△ Symbol No.	Part No.	Part Name	Description	Local
IC201	JVM4224	IC(PROGRAMED)		
IC202	S-80828CNNB-G-W	IC		
IC203	M24C32-RMN6-X	IC(EEPROM)		
IC204	NJM2871BF33-X	IC		
IC211	TEF6606T/V3-X	IC1		
IC231	TC74HCT4053AFTX	IC		
IC232	TDA7416	IC		
IC233	TB2926CHQ	IC		
IC241	BA00CC0WFP-X	IC		
IC242	NJM2871BF33-X	IC		
IC251	RSQ030P03-W	MOS FET		
IC291	R2S25400DS-E	IC		
Q2001	RT1N441C-X	TRANSISTOR		
Q2001	or UN2213-X	DIGI TRANSISTOR		
Q2301	RT1N141C-X	DIGI TRANSISTOR		
Q2302	2SC1623A/5-6/-X	TRANSISTOR		
Q2303	2SD2114K/VW/-X	TRANSISTOR		
Q2304	2SD2114K/VW/-X	TRANSISTOR		
Q2305	2SD2114K/VW/-X	TRANSISTOR		
Q2306	2SD2114K/VW/-X	TRANSISTOR		
Q2307	2SD2114K/VW/-X	TRANSISTOR		
Q2308	RT1N441C-X	TRANSISTOR		
Q2501	RT1N441C-X	TRANSISTOR		
Q2501	or UN2213-X	DIGI TRANSISTOR		
Q2502	RT1N141C-X	DIGI TRANSISTOR		
Q2503	RT1P141C-X	DIGI TRANSISTOR		
Q2504	RT1N141C-X	DIGI TRANSISTOR		
Q2505	RT1N441C-X	TRANSISTOR		
Q2505	or UN2213-X	DIGI TRANSISTOR		
Q2506	RT1N441C-X	TRANSISTOR		
Q2506	or UN2213-X	DIGI TRANSISTOR		
Q2507	2SA812A/5-6/-X	TRANSISTOR		
Q2508	2SA812A/5-6/-X	TRANSISTOR		
Q2509	2SA812A/5-6/-X	TRANSISTOR		
Q2510	2SC1623A/5-6/-X	TRANSISTOR		
Q2511	RT1N141C-X	DIGI TRANSISTOR		
Q2512	RT1N141C-X	DIGI TRANSISTOR		
Q2513	RT1N141C-X	DIGI TRANSISTOR		
Q2514	RT1N141C-X	DIGI TRANSISTOR		
Q2515	2SA812A/5-6/-X	TRANSISTOR		
Q2516	RT1N141C-X	DIGI TRANSISTOR		
Q2901	RT1N141C-X	DIGI TRANSISTOR		
Q2902	RT1P141C-X	DIGI TRANSISTOR		
Q2903	RT1N141C-X	DIGI TRANSISTOR		
Q2904	RT1P141C-X	DIGI TRANSISTOR		
Q2905	2SA812A/5-6/-X	TRANSISTOR		
D2103	MA111-X	SI DIODE		
D2201	MA111-X	SI DIODE		
D2202	MA111-X	SI DIODE		
D2301	MC2836-X	DIODE		
D2302	MC2836-X	DIODE		
D2401	MA8062/M/-X	Z DIODE		
D2402	MA8062/M/-X	Z DIODE		
D2501	MA22D39-X	SB DIODE		
D2503	MA8110/L/-X	Z DIODE		
D2504	MA111-X	SI DIODE		
D2505	MC2836-X	DIODE		
D2506	MA111-X	SI DIODE		
D2507	MA111-X	SI DIODE		
D2801	MA111-X	SI DIODE		
D2802	MA22D39-X	SB DIODE		
D2901	1N5401-04	SI DIODE		
D2902	MA22D39-X	SB DIODE		
D2903	MA22D39-X	SB DIODE		
D2904	MA22D39-X	SB DIODE		
D2905	MA22D39-X	SB DIODE		
C2001	NCB31CK-104X	C CAPACITOR	0.1uF 16V K	
C2002	NCB31HK-103X	C CAPACITOR	0.01uF 50V K	
C2003	NCB31CK-104X	C CAPACITOR	0.1uF 16V K	

△ Symbol No.	Part No.	Part Name	Description	Local
C2101	NDC31HJ-150X	C CAPACITOR	15pF 50V J	
C2102	NDC31HJ-220X	C CAPACITOR	22pF 50V J	
C2103	NCB31HK-102X	C CAPACITOR	1000pF 50V K	
C2104	NDC31HJ-7R0X	C CAPACITOR	7pF 50V J	
C2105	NDC31HJ-6R0X	C CAPACITOR	6pF 50V J	
C2106	NDC31HJ-2R0X	C CAPACITOR	2pF 50V J	
C2107	NCB31HK-104X	C CAPACITOR	0.1uF 50V K	
C2108	NCB31CK-224X	C CAPACITOR	0.22uF 16V K	
C2109	NCB31CK-105X	C CAPACITOR	1uF 16V K	
C2110	NCB31HK-103X	C CAPACITOR	0.01uF 50V K	
C2111	NCB31HK-103X	C CAPACITOR	0.01uF 50V K	
C2112	NCB31HK-104X	C CAPACITOR	0.1uF 50V K	
C2113	NCB31HK-103X	C CAPACITOR	0.01uF 50V K	
C2114	NCB31HK-103X	C CAPACITOR	0.01uF 50V K	
C2115	NCB31HK-104X	C CAPACITOR	0.1uF 50V K	
C2116	NCB31CK-105X	C CAPACITOR	1uF 16V K	
C2117	NCB31HK-104X	C CAPACITOR	0.1uF 50V K	
C2118	QETN1HM-106Z	E CAPACITOR	10uF 50V M	
C2119	NCB31CK-224X	C CAPACITOR	0.22uF 16V K	
C2120	NCB31CK-105X	C CAPACITOR	1uF 16V K	
C2121	NCB31CK-105X	C CAPACITOR	1uF 16V K	
C2122	NCB31CK-224X	C CAPACITOR	0.22uF 16V K	
C2123	NCB31HK-104X	C CAPACITOR	0.1uF 50V K	
C2124	NDC31HJ-150X	C CAPACITOR	15pF 50V J	
C2136	NDC31HJ-101X	C CAPACITOR	100pF 50V J	
C2137	NDC31HJ-101X	C CAPACITOR	100pF 50V J	
C2138	NDC31HJ-101X	C CAPACITOR	100pF 50V J	
C2201	NDC31HJ-330X	C CAPACITOR	33pF 50V J	
C2202	NDC31HJ-330X	C CAPACITOR	33pF 50V J	
C2229	NDC31HJ-101X	C CAPACITOR	100pF 50V J	
C2301	NDC31HJ-101X	C CAPACITOR	100pF 50V J	
C2302	QETN1HM-226Z	E CAPACITOR	22uF 50V M	
C2303	NCB31CK-105X	C CAPACITOR	1uF 16V K	
C2304	NCB31CK-105X	C CAPACITOR	1uF 16V K	
C2305	QETN1CM-107Z	E CAPACITOR	100uF 16V M	
C2309	QETN1HM-226Z	E CAPACITOR	22uF 50V M	
C2310	QFV91HJ-474Z	MF CAPACITOR	0.47uF 50V J	
C2311	QFV91HJ-474Z	MF CAPACITOR	0.47uF 50V J	
C2312	NCB31CK-105X	C CAPACITOR	1uF 16V K	
C2313	NCB31CK-105X	C CAPACITOR	1uF 16V K	
C2314	NCB31CK-105X	C CAPACITOR	1uF 16V K	
C2315	NCB31CK-105X	C CAPACITOR	1uF 16V K	
C2316	NCB31CK-105X	C CAPACITOR	1uF 16V K	
C2317	QETN1CM-107Z	E CAPACITOR	100uF 16V M	
C2320	QFN31HJ-473Z	M CAPACITOR	0.047uF 50V J	
C2321	NCB31HK-563X	C CAPACITOR	0.056uF 50V K	
C2322	NCB31HK-104X	C CAPACITOR	0.1uF 50V K	
C2323	QFV91HJ-474Z	MF CAPACITOR	0.47uF 50V J	
C2324	QFV91HJ-474Z	MF CAPACITOR	0.47uF 50V J	
C2325	QFV91HJ-474Z	MF CAPACITOR	0.47uF 50V J	
C2326	QFV91HJ-474Z	MF CAPACITOR	0.47uF 50V J	
C2327	NDC31HJ-470X	C CAPACITOR	47pF 50V J	
C2328	NDC31HJ-470X	C CAPACITOR	47pF 50V J	
C2329	NDC31HJ-470X	C CAPACITOR	47pF 50V J	
C2330	NDC31HJ-470X	C CAPACITOR	47pF 50V J	
C2331	QETN1HM-226Z	E CAPACITOR	22uF 50V M	
C2332	NDC31HJ-471X	C CAPACITOR	470pF 50V J	
C2333	QETN1EM-476Z	E CAPACITOR	47uF 25V M	
C2334	QEKJ1HM-225Z	E CAPACITOR	2.2uF 50V M	
C2335	QETN1HM-106Z	E CAPACITOR	10uF 50V M	
C2336	QFN31HJ-104Z	M CAPACITOR	0.1uF 50V J	
C2337	NCB31HK-104X	C CAPACITOR	0.1uF 50V K	
C2338	NDC31HJ-101X	C CAPACITOR	100pF 50V J	
C2339	QEKJ1HM-225Z	E CAPACITOR	2.2uF 50V M	
C2340	NDC31HJ-101X	C CAPACITOR	100pF 50V J	
C2341	NDC31HJ-101X	C CAPACITOR	100pF 50V J	
C2342	NDC31HJ-101X	C CAPACITOR	100pF 50V J	
C2343	NDC31HJ-101X	C CAPACITOR	100pF 50V J	
C2344	NDC31HJ-101X	C CAPACITOR	100pF 50V J	
C2345	NDC31HJ-101X	C CAPACITOR	100pF 50V J	
C2346	NDC31HJ-101X	C CAPACITOR	100pF 50V J	
C2347	NDC31HJ-101X	C CAPACITOR	100pF 50V J	
C2348	QETN1HM-106Z	E CAPACITOR	10uF 50V M	
C2349	QEKJ1HM-475Z	E CAPACITOR	4.7uF 50V M	
C2350	QEKJ1HM-475Z	E CAPACITOR	4.7uF 50V M	
C2351	QEKJ1HM-475Z	E CAPACITOR	4.7uF 50V M	

△ Symbol No.	Part No.	Part Name	Description	Local	△ Symbol No.	Part No.	Part Name	Description	Local
C2352	QEKJ1HM-475Z	E CAPACITOR	4.7uF 50V M		C2907	NCB31CK-104X	C CAPACITOR	0.1uF 16V K	
C2353	NDC31HJ-101X	C CAPACITOR	100pF 50V J		C2908	NCB31CK-104X	C CAPACITOR	0.1uF 16V K	
C2354	NDC31HJ-101X	C CAPACITOR	100pF 50V J		C2909	QETN1HM-106Z	E CAPACITOR	10uF 50V M	
C2355	NDC31HJ-101X	C CAPACITOR	100pF 50V J		C2910	NCB31EK-104X	C CAPACITOR	0.1uF 25V K	
C2356	NDC31HJ-101X	C CAPACITOR	100pF 50V J		C2911	QETN1HM-106Z	E CAPACITOR	10uF 50V M	
C2357	NCB31HK-223X	C CAPACITOR	0.022uF 50V K		C2912	NCB31EK-104X	C CAPACITOR	0.1uF 25V K	
C2360	NDC31HJ-470X	C CAPACITOR	47pF 50V J		C2913	NCB31EK-104X	C CAPACITOR	0.1uF 25V K	
C2362	NDC31HJ-101X	C CAPACITOR	100pF 50V J		C2914	QETN1CM-108Z	E CAPACITOR	1000uF 16V M	
C2363	NDC31HJ-101X	C CAPACITOR	100pF 50V J		C2921	NDC31HJ-470X	C CAPACITOR	47pF 50V J	
C2364	NDC31HJ-101X	C CAPACITOR	100pF 50V J		C2923	NDC31HJ-470X	C CAPACITOR	47pF 50V J	
C2365	NDC31HJ-470X	C CAPACITOR	47pF 50V J		C2925	NDC31HJ-470X	C CAPACITOR	47pF 50V J	
C2366	NDC31HJ-470X	C CAPACITOR	47pF 50V J		C2928	QEKJ1HM-225Z	E CAPACITOR	2.2uF 50V M	
C2367	NDC31HJ-470X	C CAPACITOR	47pF 50V J		C2931	NDC31HJ-470X	C CAPACITOR	47pF 50V J	
C2368	NDC31HJ-470X	C CAPACITOR	47pF 50V J		C2933	NDC31HJ-470X	C CAPACITOR	47pF 50V J	
C2369	NDC31HJ-470X	C CAPACITOR	47pF 50V J		C2934	NDC31HJ-470X	C CAPACITOR	47pF 50V J	
C2370	NDC31HJ-470X	C CAPACITOR	47pF 50V J		C2937	NDC31HJ-470X	C CAPACITOR	47pF 50V J	
C2371	NDC31HJ-470X	C CAPACITOR	47pF 50V J		C2938	NDC31HJ-470X	C CAPACITOR	47pF 50V J	
C2372	NDC31HJ-470X	C CAPACITOR	47pF 50V J		C2941	NDC31HJ-470X	C CAPACITOR	47pF 50V J	
C2373	NDC31HJ-470X	C CAPACITOR	47pF 50V J		C2943	NDC31HJ-470X	C CAPACITOR	47pF 50V J	
C2374	NDC31HJ-470X	C CAPACITOR	47pF 50V J		C2945	NDC31HJ-470X	C CAPACITOR	47pF 50V J	
C2375	NDC31HJ-470X	C CAPACITOR	47pF 50V J		C2947	NDC31HJ-470X	C CAPACITOR	47pF 50V J	
C2376	NDC31HJ-470X	C CAPACITOR	47pF 50V J		C2949	NDC31HJ-470X	C CAPACITOR	47pF 50V J	
C2377	NDC31HJ-101X	C CAPACITOR	100pF 50V J						
C2378	NDC31HJ-101X	C CAPACITOR	100pF 50V J		R2001	NRSA63J-101X	MG RESISTOR	100Ω 1/16W J	
C2379	NDC31HJ-101X	C CAPACITOR	100pF 50V J		R2002	NRSA63J-102X	MG RESISTOR	1kΩ 1/16W J	
C2380	NDC31HJ-101X	C CAPACITOR	100pF 50V J		R2003	NRSA63J-102X	MG RESISTOR	1kΩ 1/16W J	
C2381	NDC31HJ-101X	C CAPACITOR	100pF 50V J		R2004	NRSA63J-101X	MG RESISTOR	100Ω 1/16W J	
C2382	NDC31HJ-101X	C CAPACITOR	100pF 50V J		R2005	NRSA63J-102X	MG RESISTOR	1kΩ 1/16W J	
C2383	NDC31HJ-101X	C CAPACITOR	100pF 50V J		R2006	NRSA63J-101X	MG RESISTOR	100Ω 1/16W J	
C2384	NDC31HJ-101X	C CAPACITOR	100pF 50V J		R2007	NRSA63J-472X	MG RESISTOR	4.7kΩ 1/16W J	
C2385	NDC31HJ-101X	C CAPACITOR	100pF 50V J		R2008	NRSA63J-101X	MG RESISTOR	100Ω 1/16W J	
C2386	NDC31HJ-101X	C CAPACITOR	100pF 50V J		R2009	NRSA63J-101X	MG RESISTOR	100Ω 1/16W J	
C2387	NDC31HJ-470X	C CAPACITOR	47pF 50V J		R2010	NRSA63J-472X	MG RESISTOR	4.7kΩ 1/16W J	
C2388	NDC31HJ-470X	C CAPACITOR	47pF 50V J		R2011	NRSA63J-472X	MG RESISTOR	4.7kΩ 1/16W J	
C2389	NDC31HJ-470X	C CAPACITOR	47pF 50V J		R2012	NRSA63J-102X	MG RESISTOR	1kΩ 1/16W J	
C2390	NDC31HJ-470X	C CAPACITOR	47pF 50V J		R2013	NRSA63J-102X	MG RESISTOR	1kΩ 1/16W J	
C2401	NDC31HJ-471X	C CAPACITOR	470pF 50V J		R2014	NRSA63J-102X	MG RESISTOR	1kΩ 1/16W J	
C2402	QETN1EM-476Z	E CAPACITOR	47uF 25V M		R2015	NRSA63J-102X	MG RESISTOR	1kΩ 1/16W J	
C2403	NDC31HJ-471X	C CAPACITOR	470pF 50V J		R2016	NRSA63J-101X	MG RESISTOR	100Ω 1/16W J	
C2404	QETN1EM-476Z	E CAPACITOR	47uF 25V M		R2017	NRSA63J-101X	MG RESISTOR	100Ω 1/16W J	
C2405	QETN1HM-106Z	E CAPACITOR	10uF 50V M		R2018	NRSA63J-102X	MG RESISTOR	1kΩ 1/16W J	
C2406	NCB31HK-104X	C CAPACITOR	0.1uF 50V K		R2019	NRSA63J-102X	MG RESISTOR	1kΩ 1/16W J	
C2407	NCB31CK-104X	C CAPACITOR	0.1uF 16V K		R2020	NRSA63J-102X	MG RESISTOR	1kΩ 1/16W J	
C2408	NCB31HK-103X	C CAPACITOR	0.01uF 50V K		R2021	NRSA63J-102X	MG RESISTOR	1kΩ 1/16W J	
C2409	NCB31CK-104X	C CAPACITOR	0.1uF 16V K		R2022	NRSA63J-101X	MG RESISTOR	100Ω 1/16W J	
C2503	NCB11EK-105X	C CAPACITOR	1uF 25V K		R2023	NRSA63J-101X	MG RESISTOR	100Ω 1/16W J	
C2504	NCB31AK-105X	C CAPACITOR	1uF 10V K		R2024	NRSA63J-101X	MG RESISTOR	100Ω 1/16W J	
C2505	QETN1CM-107Z	E CAPACITOR	100uF 16V M		R2025	NRSA63J-101X	MG RESISTOR	100Ω 1/16W J	
C2506	QETN1CM-107Z	E CAPACITOR	100uF 16V M		R2026	NRSA63J-101X	MG RESISTOR	100Ω 1/16W J	
C2507	QETN1HM-226Z	E CAPACITOR	22uF 50V M		R2027	NRSA63J-101X	MG RESISTOR	100Ω 1/16W J	
C2508	NCB31CK-105X	C CAPACITOR	1uF 16V K		R2028	NRSA63J-101X	MG RESISTOR	100Ω 1/16W J	
C2509	NDC31HJ-101X	C CAPACITOR	100pF 50V J		R2029	NRSA63J-102X	MG RESISTOR	1kΩ 1/16W J	
C2510	NCB31CK-105X	C CAPACITOR	1uF 16V K		R2030	NRSA63J-102X	MG RESISTOR	1kΩ 1/16W J	
C2511	NCB31CK-105X	C CAPACITOR	1uF 16V K		R2031	NRSA63J-272X	MG RESISTOR	2.7kΩ 1/16W J	
C2512	NCB31CK-105X	C CAPACITOR	1uF 16V K		R2032	NRSA63J-102X	MG RESISTOR	1kΩ 1/16W J	
C2801	NCB31EK-473X	C CAPACITOR	0.047uF 25V K		R2033	NRSA63J-101X	MG RESISTOR	100Ω 1/16W J	
C2802	QETN1EM-476Z	E CAPACITOR	47uF 25V M		R2034	NRSA63J-102X	MG RESISTOR	1kΩ 1/16W J	
C2803	NDC31HJ-220X	C CAPACITOR	22pF 50V J		R2035	NRSA63J-102X	MG RESISTOR	1kΩ 1/16W J	
C2804	NDC31HJ-220X	C CAPACITOR	22pF 50V J		R2036	NRSA63J-102X	MG RESISTOR	1kΩ 1/16W J	
C2805	NDC31HJ-120X	C CAPACITOR	12pF 50V J		R2037	NRSA63J-101X	MG RESISTOR	100Ω 1/16W J	
C2806	NDC31HJ-100X	C CAPACITOR	10pF 50V J		R2038	NRSA63J-101X	MG RESISTOR	100Ω 1/16W J	
C2807	NCB31CK-104X	C CAPACITOR	0.1uF 16V K		R2039	NRSA63J-101X	MG RESISTOR	100Ω 1/16W J	
C2808	QETN1AM-227Z	E CAPACITOR	220uF 10V M		R2040	NRSA63J-101X	MG RESISTOR	100Ω 1/16W J	
C2809	QETN1CM-107Z	E CAPACITOR	100uF 16V M		R2041	NRSA63J-101X	MG RESISTOR	100Ω 1/16W J	
C2810	QETN0JM-108Z	E CAPACITOR	1000uF 6.3V M		R2043	NRSA63J-102X	MG RESISTOR	1kΩ 1/16W J	
C2811	QETN1AM-227Z	E CAPACITOR	220uF 10V M		R2044	NRSA63J-102X	MG RESISTOR	1kΩ 1/16W J	
C2812	NCB31CK-104X	C CAPACITOR	0.1uF 16V K		R2045	NRSA63J-102X	MG RESISTOR	1kΩ 1/16W J	
C2813	NCB31HK-103X	C CAPACITOR	0.01uF 50V K		R2046	NRSA63J-221X	MG RESISTOR	220Ω 1/16W J	
C2815	NCB31EK-473X	C CAPACITOR	0.047uF 25V K		R2047	NRSA63J-103X	MG RESISTOR	10kΩ 1/16W J	
C2816	NCB31CK-104X	C CAPACITOR	0.1uF 16V K		R2048	NRSA63J-102X	MG RESISTOR	1kΩ 1/16W J	
C2818	NCB31CK-104X	C CAPACITOR	0.1uF 16V K		R2049	NRSA63J-102X	MG RESISTOR	1kΩ 1/16W J	
C2819	NCB31CK-104X	C CAPACITOR	0.1uF 16V K		R2050	NRSA63J-102X	MG RESISTOR	1kΩ 1/16W J	
C2901	QEZ0870-278	E CAPACITOR	2700uF		R2051	NRSA63J-102X	MG RESISTOR	1kΩ 1/16W J	
C2902	QEKJ1HM-225Z	E CAPACITOR	2.2uF 50V M		R2052	NRSA63J-102X	MG RESISTOR	1kΩ 1/16W J	
C2903	QETN1EM-476Z	E CAPACITOR	47uF 25V M		R2053	NRSA63J-472X	MG RESISTOR	4.7kΩ 1/16W J	
C2904	QETN1HM-106Z	E CAPACITOR	10uF 50V M		R2055	NRSA63J-472X	MG RESISTOR	4.7kΩ 1/16W J	
C2905	QETN1EM-476Z	E CAPACITOR	47uF 25V M		R2057	NRSA63J-102X	MG RESISTOR	1kΩ 1/16W J	
C2906	QETN1CM-107Z	E CAPACITOR	100uF 16V M		R2058	NRSA63J-102X	MG RESISTOR	1kΩ 1/16W J	





△ Symbol No.	Part No.	Part Name	Description	Local	△ Symbol No.	Part No.	Part Name	Description	Local
C3040	NCJ11EK-106X-R	C CAPACITOR	10uF 25V		C3748	NCB11EK-105X	C CAPACITOR	1uF 25V K	
C3041	QEKJ1CM-107Z	E CAPACITOR	100uF 16V M		C3749	NCJ11EK-106X-R	C CAPACITOR	100uF 25V	
C3042	NDC31HJ-471X	C CAPACITOR	470pF 50V J		C3750	NCJ11EK-106X-R	C CAPACITOR	10uF 25V	
C3043	NCJ11EK-106X-R	C CAPACITOR	10uF 25V		C3751	NCB31HK-103X	C CAPACITOR	0.01uF 50V K	
C3045	QERF1EM-107Z	E CAPACITOR	100uF 25V M		C3752	NCB31CK-105X	C CAPACITOR	1uF 16V K	
C3046	NCJ11EK-106X-R	C CAPACITOR	10uF 25V		C3753	NCJ11EK-106X-R	C CAPACITOR	10uF 25V	
C3101	QEKJ1CM-476Z	E CAPACITOR	47uF 16V M		C3754	NCB11EK-105X	C CAPACITOR	1uF 25V K	
C3102	NCB31CK-104X	C CAPACITOR	0.1uF 16V K		C3755	NDC31HJ-471X	C CAPACITOR	470pF 50V J	
C3105	NCB31CK-104X	C CAPACITOR	0.1uF 16V K		C3756	NCB31CK-105X	C CAPACITOR	1uF 16V K	
C3106	NCB31CK-104X	C CAPACITOR	0.1uF 16V K		C3802	NDC31HJ-101X	C CAPACITOR	100pF 50V J	
C3201	NCB31HK-102X	C CAPACITOR	1000pF 50V K		C3803	NCB31CK-105X	C CAPACITOR	1uF 16V K	
C3202	NCB31HK-102X	C CAPACITOR	1000pF 50V K		C3804	NCB31CK-105X	C CAPACITOR	1uF 16V K	
C3203	NDC31HJ-101X	C CAPACITOR	100pF 50V J		C3805	NDC31HJ-561X	C CAPACITOR	560pF 50V J	
C3204	NCB31HK-104X	C CAPACITOR	0.1uF 50V K		C3806	QEKJ1CM-476Z	E CAPACITOR	47uF 16V M	
C3205	NCB31HK-104X	C CAPACITOR	0.1uF 50V K		C3807	NCB31EK-333X	C CAPACITOR	0.033uF 25V K	
C3206	NCB31HK-104X	C CAPACITOR	0.1uF 50V K		C3808	NCB31EK-333X	C CAPACITOR	0.033uF 25V K	
C3211	NCB31HK-102X	C CAPACITOR	1000pF 50V K		C3809	NCB31HK-104X	C CAPACITOR	0.1uF 50V K	
C3212	NCB31HK-102X	C CAPACITOR	1000pF 50V K		C3810	NDC31HJ-561X	C CAPACITOR	560pF 50V J	
C3213	QEKJ1CM-476Z	E CAPACITOR	47uF 16V M		C3811	NCJ11EK-106X-R	C CAPACITOR	10uF 25V	
C3214	NCB31EK-473X	C CAPACITOR	0.047uF 25V K		C3812	NCB31CK-105X	C CAPACITOR	1uF 16V K	
C3251	NCB31CK-104X	C CAPACITOR	0.1uF 16V K		C3813	NCJ11EK-106X-R	C CAPACITOR	10uF 25V	
C3301	NDC31HJ-470X	C CAPACITOR	47pF 50V J		C3814	NCB31HK-104X	C CAPACITOR	0.1uF 50V K	
C3303	NDC31HJ-101X	C CAPACITOR	100pF 50V J		C3911	NCB31CK-104X	C CAPACITOR	0.1uF 16V K	
C3304	NDC31HJ-101X	C CAPACITOR	100pF 50V J		C3912	NDC31HJ-101X	C CAPACITOR	100pF 50V J	
C3305	NCB31HK-473X	C CAPACITOR	0.047uF 50V K		R3002	NRSA63J-101X	MG RESISTOR	100Ω 1/16W J	
C3307	NDC31HJ-470X	C CAPACITOR	47pF 50V J		R3003	NRSA63J-101X	MG RESISTOR	100Ω 1/16W J	
C3308	NDC31HJ-101X	C CAPACITOR	100pF 50V J		R3004	NRSA63J-101X	MG RESISTOR	100Ω 1/16W J	
C3310	NDC31HJ-101X	C CAPACITOR	100pF 50V J		R3005	NRSA63J-101X	MG RESISTOR	100Ω 1/16W J	
C3311	NDC31HJ-471X	C CAPACITOR	470pF 50V J		R3006	NRSA63J-101X	MG RESISTOR	100Ω 1/16W J	
C3411	QEKJ1EM-106Z	E CAPACITOR	10uF 25V M		R3007	NRSA63J-101X	MG RESISTOR	100Ω 1/16W J	
C3412	QEKJ1EM-106Z	E CAPACITOR	10uF 25V M		R3008	NRSA63J-101X	MG RESISTOR	100Ω 1/16W J	
C3413	NCB31HK-102X	C CAPACITOR	1000pF 50V K		R3009	NRSA63J-101X	MG RESISTOR	100Ω 1/16W J	
C3414	QEKJ1CM-476Z	E CAPACITOR	47uF 16V M		R3010	NRSA63J-101X	MG RESISTOR	100Ω 1/16W J	
C3415	NCB31CK-104X	C CAPACITOR	0.1uF 16V K		R3011	NRSA63J-101X	MG RESISTOR	100Ω 1/16W J	
C3421	QEKJ1EM-106Z	E CAPACITOR	10uF 25V M		R3012	NRSA63J-101X	MG RESISTOR	100Ω 1/16W J	
C3422	QEKJ1EM-106Z	E CAPACITOR	10uF 25V M		R3013	NRSA63J-101X	MG RESISTOR	100Ω 1/16W J	
C3423	NCB31HK-102X	C CAPACITOR	1000pF 50V K		R3014	NRSA63J-101X	MG RESISTOR	100Ω 1/16W J	
C3425	NCB31CK-104X	C CAPACITOR	0.1uF 16V K		R3015	NRSA63J-101X	MG RESISTOR	100Ω 1/16W J	
C3431	NCB31CK-105X	C CAPACITOR	1uF 16V K		R3016	NRSA63J-101X	MG RESISTOR	100Ω 1/16W J	
C3432	NCB31CK-105X	C CAPACITOR	1uF 16V K		R3017	NRSA63J-101X	MG RESISTOR	100Ω 1/16W J	
C3433	NCB31CK-105X	C CAPACITOR	1uF 16V K		R3018	NRSA63J-101X	MG RESISTOR	100Ω 1/16W J	
C3435	NCB31HK-104X	C CAPACITOR	0.1uF 50V K		R3019	NRSA63J-101X	MG RESISTOR	100Ω 1/16W J	
C3441	NCB31CK-105X	C CAPACITOR	1uF 16V K		R3020	NRSA63J-101X	MG RESISTOR	100Ω 1/16W J	
C3442	NCB31CK-105X	C CAPACITOR	1uF 16V K		R3021	NRSA63J-101X	MG RESISTOR	100Ω 1/16W J	
C3443	NCB31CK-105X	C CAPACITOR	1uF 16V K		R3022	NRSA63J-101X	MG RESISTOR	100Ω 1/16W J	
C3444	QEKJ1CM-476Z	E CAPACITOR	47uF 16V M		R3023	NRSA63J-101X	MG RESISTOR	100Ω 1/16W J	
C3445	NCB31HK-104X	C CAPACITOR	0.1uF 50V K		R3031	NRSA63J-101X	MG RESISTOR	100Ω 1/16W J	
C3451	QEKJ0JM-337Z	E CAPACITOR	330uF 6.3V M		R3032	NRSA63J-101X	MG RESISTOR	100Ω 1/16W J	
C3453	NCB31CK-105X	C CAPACITOR	1uF 16V K		R3033	NRS125J-R22X	MG RESISTOR	0.22Ω 1/2W J	
C3454	NCB31HK-104X	C CAPACITOR	0.1uF 50V K		R3034	NRS125J-R22X	MG RESISTOR	0.22Ω 1/2W J	
C3501	QEKJ1CM-476Z	E CAPACITOR	47uF 16V M		R3035	NRSA63J-104X	MG RESISTOR	100kΩ 1/16W J	
C3504	NCB31CK-104X	C CAPACITOR	0.1uF 16V K		R3036	NRSA63J-104X	MG RESISTOR	100kΩ 1/16W J	
C3505	QEKJ1CM-107Z	E CAPACITOR	100uF 16V M		R3037	NRS125J-R22X	MG RESISTOR	0.22Ω 1/2W J	
C3507	NCB31CK-104X	C CAPACITOR	0.1uF 16V K		R3038	NRS125J-R22X	MG RESISTOR	0.22Ω 1/2W J	
C3551	QEKJ1EM-106Z	E CAPACITOR	10uF 25V M		R3101	NRSA63J-0R0X	MG RESISTOR	0Ω 1/10W J	
C3552	NCB31HK-103X	C CAPACITOR	0.01uF 50V K		R3102	NRSA63J-103X	MG RESISTOR	10kΩ 1/16W J	
C3553	NDC31HJ-101X	C CAPACITOR	100pF 50V J		R3103	NRSA63J-0R0X	MG RESISTOR	0Ω 1/10W J	
C3701	QETN1EM-477Z	E CAPACITOR	470uF 25V M		R3104	NRSA63J-103X	MG RESISTOR	10kΩ 1/16W J	
C3702	QERF1EM-107Z	E CAPACITOR	100uF 25V M		R3105	NRSA63J-102X	MG RESISTOR	1kΩ 1/16W J	
C3703	NCJ11EK-106X-R	C CAPACITOR	10uF 25V		R3106	NRSA63J-102X	MG RESISTOR	1kΩ 1/16W J	
C3711	NCJ11EK-106X-R	C CAPACITOR	10uF 25V		R3107	NRSA63J-102X	MG RESISTOR	1kΩ 1/16W J	
C3712	QEKJ1CM-107Z	E CAPACITOR	100uF 16V M		R3108	NRSA63J-102X	MG RESISTOR	1kΩ 1/16W J	
C3713	NCJ11EK-106X-R	C CAPACITOR	10uF 25V		R3109	NRSA63J-102X	MG RESISTOR	1kΩ 1/16W J	
C3714	NCB31CK-104X	C CAPACITOR	0.1uF 16V K		R3110	NRSA63J-103X	MG RESISTOR	10kΩ 1/16W J	
C3715	NCB31HK-472X	C CAPACITOR	4700pF 50V K		R3111	NRSA63J-102X	MG RESISTOR	1kΩ 1/16W J	
C3721	NCJ11EK-106X-R	C CAPACITOR	10uF 25V		R3113	NRSA63J-102X	MG RESISTOR	1kΩ 1/16W J	
C3722	QEKJ1CM-107Z	E CAPACITOR	100uF 16V M		R3114	NRSA63J-102X	MG RESISTOR	1kΩ 1/16W J	
C3723	NCJ11EK-106X-R	C CAPACITOR	10uF 25V		R3115	NRSA63J-102X	MG RESISTOR	1kΩ 1/16W J	
C3724	NCB31CK-104X	C CAPACITOR	0.1uF 16V K		R3116	NRSA63J-103X	MG RESISTOR	10kΩ 1/16W J	
C3725	NCB31HK-472X	C CAPACITOR	4700pF 50V K		R3117	NRSA63J-103X	MG RESISTOR	10kΩ 1/16W J	
C3732	QEKJ1EM-106Z	E CAPACITOR	10uF 25V M		R3118	NRSA63J-102X	MG RESISTOR	1kΩ 1/16W J	
C3741	NCB11EK-105X	C CAPACITOR	1uF 25V K		R3124	NRSA63J-103X	MG RESISTOR	10kΩ 1/16W J	
C3742	NCJ11EK-106X-R	C CAPACITOR	10uF 25V		R3125	NRSA63J-101X	MG RESISTOR	100Ω 1/16W J	
C3743	NCB11EK-105X	C CAPACITOR	1uF 25V K		R3126	NRSA63J-472X	MG RESISTOR	4.7kΩ 1/16W J	
C3744	NDC31HJ-220X	C CAPACITOR	22pF 50V J		R3127	NRSA63J-102X	MG RESISTOR	1kΩ 1/16W J	
C3745	NCB11EK-105X	C CAPACITOR	1uF 25V K		R3128	NRSA63J-0R0X	MG RESISTOR	0Ω 1/10W J	
C3746	NCB11EK-105X	C CAPACITOR	1uF 25V K		R3129	NRSA63J-103X	MG RESISTOR	10kΩ 1/16W J	
C3747	NCB31HK-103X	C CAPACITOR	0.01uF 50V K						

△ Symbol No.	Part No.	Part Name	Description	Local	△ Symbol No.	Part No.	Part Name	Description	Local
R3134	NRSA63J-223X	MG RESISTOR	22kΩ 1/16W J		R3801	NRSA63J-122X	MG RESISTOR	1.2kΩ 1/16W J	
R3135	NRSA63J-101X	MG RESISTOR	100kΩ 1/16W J		R3802	NRSA63J-122X	MG RESISTOR	1.2kΩ 1/16W J	
R3136	NRSA63J-103X	MG RESISTOR	10kΩ 1/16W J		R3803	NRSA63J-333X	MG RESISTOR	33kΩ 1/16W J	
R3137	NRSA63J-103X	MG RESISTOR	10kΩ 1/16W J		R3804	NRSA63J-822X	MG RESISTOR	8.2kΩ 1/16W J	
R3201	NRSA63J-151X	MG RESISTOR	150Ω 1/16W J		R3805	NRSA63J-822X	MG RESISTOR	8.2kΩ 1/16W J	
R3202	NRSA63J-151X	MG RESISTOR	150Ω 1/16W J		R3806	NRSA63J-223X	MG RESISTOR	22kΩ 1/16W J	
R3203	NRSA63J-0R0X	MG RESISTOR	0Ω 1/10W J		R3807	NRSA63J-223X	MG RESISTOR	22kΩ 1/16W J	
R3211	NRSA63J-102X	MG RESISTOR	1kΩ 1/16W J		R3808	NRSA63J-333X	MG RESISTOR	33kΩ 1/16W J	
R3212	NRSA63J-104X	MG RESISTOR	100kΩ 1/16W J		R3809	NRSA63J-822X	MG RESISTOR	8.2kΩ 1/16W J	
R3213	NRSA63J-104X	MG RESISTOR	100kΩ 1/16W J		R3810	NRSA63J-333X	MG RESISTOR	33kΩ 1/16W J	
R3214	NRSA63J-392X	MG RESISTOR	3.9kΩ 1/16W J		R3811	NRSA63J-100X	MG RESISTOR	10Ω 1/16W J	
R3215	NRSA63J-682X	MG RESISTOR	6.8kΩ 1/16W J		R3812	NRSA63J-680X	MG RESISTOR	68Ω 1/16W J	
R3216	NRSA63J-102X	MG RESISTOR	1kΩ 1/16W J		R3813	NRSA63J-680X	MG RESISTOR	68Ω 1/16W J	
R3217	NRSA63J-104X	MG RESISTOR	100kΩ 1/16W J		R3911	NRSA63J-0R0X	MG RESISTOR	0Ω 1/10W J	
R3218	NRSA63J-101X	MG RESISTOR	100Ω 1/16W J		R3912	NRSA63J-103X	MG RESISTOR	10kΩ 1/16W J	
R3219	NRSA63J-101X	MG RESISTOR	100Ω 1/16W J		R3914	NRSA63J-473X	MG RESISTOR	47kΩ 1/16W J	
R3220	NRSA63J-104X	MG RESISTOR	100kΩ 1/16W J		RA341	NRZ0065-301X	MG.RES C.M	300Ω	
R3221	NRSA63J-102X	MG RESISTOR	1kΩ 1/16W J		RA342	NRZ0065-301X	MG.RES C.M	300Ω	
R3222	NRSA63J-104X	MG RESISTOR	100kΩ 1/16W J		L3101	NQL79GK-100X	COIL	10uH K	
R3223	NRSA63J-392X	MG RESISTOR	3.9kΩ 1/16W J		L3201	NQLC8CN-4R9X	COIL	4.9uH N	
R3224	NRSA63J-682X	MG RESISTOR	6.8kΩ 1/16W J		L3401	NQL79GK-470X	COIL	47uH K	
R3251	NRS181J-0R0X	MG RESISTOR	0Ω 1/8W J		L3701	NQLC8CN-4R9X	COIL	4.9uH N	
R3301	NRSA63J-750X	MG RESISTOR	75Ω 1/16W J		L3711	NQL71EM-330X	COIL	33uH M	
R3303	NRSA63J-222X	MG RESISTOR	2.2kΩ 1/16W J		L3721	NQL71EM-330X	COIL	33uH M	
R3304	NRSA63J-222X	MG RESISTOR	2.2kΩ 1/16W J		L3741	NQL79GK-100X	COIL	10uH K	
R3305	NRSA63J-223X	MG RESISTOR	22kΩ 1/16W J		L3742	NQLZ007-4R7X	COIL	4.7uH	
R3306	NRSA63J-223X	MG RESISTOR	22kΩ 1/16W J		L3743	NQL79GK-470X	COIL	47uH K	
R3307	NRSA63J-471X	MG RESISTOR	470Ω 1/16W J		L3801	NQL79GK-470X	COIL	47uH K	
R3308	NRSA63J-0R0X	MG RESISTOR	0Ω 1/10W J		CN301	QGB0815K1-60X	CONNECTOR	B-B (1-60)	
R3309	NRSA63J-0R0X	MG RESISTOR	0Ω 1/10W J		CN302	QGB1004K2-30W	CONNECTOR	B-B (1-30)	
R3310	NRSA63J-0R0X	MG RESISTOR	0Ω 1/10W J		CN321	QNZ0095-001	CONNECTOR		
R3311	NRSA63J-0R0X	MG RESISTOR	0Ω 1/10W J		CN325	QGA2001C7-02X	CONNECTOR	W-B (1-2)	
R3312	NRSA63J-0R0X	MG RESISTOR	0Ω 1/10W J		CN331	QGA2015F1-14	CONNECTOR	W-B (1-14)	
R3313	NRSA63J-271X	MG RESISTOR	270Ω 1/16W J		CN351	QGB2027M4-30S	CONNECTOR	B-B (1-30)	
R3315	NRSA63J-101X	MG RESISTOR	100Ω 1/16W J		EP301	NNZ0165-001X	EARTH TERMINAL		
R3411	NRSA63J-471X	MG RESISTOR	470Ω 1/16W J		EP302	NNZ0165-001X	EARTH TERMINAL		
R3412	NRSA63J-471X	MG RESISTOR	470Ω 1/16W J		EP303	NNZ0165-001X	EARTH TERMINAL		
R3414	NRSA63J-390X	MG RESISTOR	39Ω 1/16W J		EP304	NNZ0165-001X	EARTH TERMINAL		
R3421	NRSA63J-471X	MG RESISTOR	470Ω 1/16W J		EP305	NNZ0165-001X	EARTH TERMINAL		
R3422	NRSA63J-471X	MG RESISTOR	470Ω 1/16W J		△ F3001	NMFZ018-R75X-E	FUSE	0.75A	
R3424	NRSA63J-390X	MG RESISTOR	39Ω 1/16W J		△ F3031	NMFZ018-4R0X-E	FUSE	4A	
R3431	NRSA63J-332X	MG RESISTOR	3.3kΩ 1/16W J		△ F3032	NMFZ018-4R0X-E	FUSE	4A	
R3432	NRSA63J-181X	MG RESISTOR	180Ω 1/16W J		J3801	QNS0283-001	STEERING REMOTE		
R3434	NRSA63J-0R0X	MG RESISTOR	0Ω 1/10W J		K3001	NQR0201-004X	FERRITE BEADS		
R3451	NRSA63J-0R0X	MG RESISTOR	0Ω 1/10W J		K3002	NQR0201-004X	FERRITE BEADS		
R3452	NRSA63J-0R0X	MG RESISTOR	0Ω 1/10W J		K3551	NQR0022-005X	FERRITE BEADS		
R3504	NRSA63J-473X	MG RESISTOR	47kΩ 1/16W J		K3801	NRSA63J-0R0X	MG RESISTOR	0Ω 1/10W J	
R3508	NRSA63J-473X	MG RESISTOR	47kΩ 1/16W J		K3802	NRSA63J-0R0X	MG RESISTOR	0Ω 1/10W J	
R3510	NRSA63J-473X	MG RESISTOR	47kΩ 1/16W J		PP3	QZW0010-001	STYLE PIN		
R3513	NRSA63J-473X	MG RESISTOR	47kΩ 1/16W J		S3001	NSW0126-001X	DETECT SWITCH		
R3515	NRSA63J-473X	MG RESISTOR	47kΩ 1/16W J						
R3516	NRSA63J-0R0X	MG RESISTOR	0Ω 1/10W J						
R3517	NRSA63J-0R0X	MG RESISTOR	0Ω 1/10W J						
R3518	NRSA63J-224X	MG RESISTOR	220kΩ 1/16W J						
R3519	NRSA63J-224X	MG RESISTOR	220kΩ 1/16W J						
R3551	NRSA63J-0R0X	MG RESISTOR	0Ω 1/10W J						
R3711	NRSA63D-224X	MG RESISTOR	220kΩ 1/16W D						
R3712	NRSA63J-154X	MG RESISTOR	150kΩ 1/16W J						
R3713	NRSA63D-623X	MG RESISTOR	62kΩ 1/16W D						
R3714	NRSA63D-224X	MG RESISTOR	220kΩ 1/16W D						
R3715	NRSA63D-103X	MG RESISTOR	10kΩ 1/16W D						
R3721	NRSA63D-224X	MG RESISTOR	220kΩ 1/16W D						
R3722	NRSA63J-154X	MG RESISTOR	150kΩ 1/16W J						
R3723	NRSA63D-243X	MG RESISTOR	24kΩ 1/16W D						
R3725	NRSA63D-103X	MG RESISTOR	10kΩ 1/16W D						
R3741	NRSA63J-154X	MG RESISTOR	150kΩ 1/16W J						
R3742	NRSA63J-473X	MG RESISTOR	47kΩ 1/16W J						
R3743	NRSA63J-104X	MG RESISTOR	100kΩ 1/16W J						
R3744	NRSA63J-682X	MG RESISTOR	6.8kΩ 1/16W J						
R3745	NRSA63D-184X	MG RESISTOR	180kΩ 1/16W D						
R3746	NRSA63D-203X	MG RESISTOR	20kΩ 1/16W D						
R3747	NRSA63J-331X	MG RESISTOR	330Ω 1/16W J						
R3748	NRSA63J-104X	MG RESISTOR	100kΩ 1/16W J						
R3749	NRSA63J-102X	MG RESISTOR	1kΩ 1/16W J						
R3750	NRSA63J-0R0X	MG RESISTOR	0Ω 1/10W J						
R3751	NRSA63J-202X	MG RESISTOR	2kΩ 1/16W J						
R3752	NRSA63J-223X	MG RESISTOR	22kΩ 1/16W J						
R3753	NRSA63J-562X	MG RESISTOR	5.6kΩ 1/16W J						

### Old Detach board (old KW-NT1J)

Block No. [0][3]

△ Symbol No.	Part No.	Part Name	Description	Local
IC401	RUQ050N02-W	MOS FET		
IC451	BA00CC0WFP-X	IC		
IC452	BA00CC0WFP-X	IC		
IC453	NJM4580E-X	IC		
Q451	2SC1623A/5-6/-X	TRANSISTOR		
D401	MA8062/M/-X	Z DIODE		
D402	MA8062/M/-X	Z DIODE		
D403	MA8062/M/-X	Z DIODE		
D404	MA8062/M/-X	Z DIODE		
D405	MA8062/M/-X	Z DIODE		
D406	MA8062/M/-X	Z DIODE		
D407	MA8062/M/-X	Z DIODE		
D408	MA8062/M/-X	Z DIODE		
D409	MA8062/M/-X	Z DIODE		

Symbol No.	Part No.	Part Name	Description	Local
D410	MA8062/M/-X	Z DIODE		
D411	MA8062/M/-X	Z DIODE		
D412	MA8062/M/-X	Z DIODE		
D413	MA8062/M/-X	Z DIODE		
D414	MA8062/M/-X	Z DIODE		
D415	MA8062/M/-X	Z DIODE		
D416	MA8062/M/-X	Z DIODE		
D417	MA8062/M/-X	Z DIODE		
D418	MA8062/M/-X	Z DIODE		
D419	MA8062/M/-X	Z DIODE		
D420	MA8062/M/-X	Z DIODE		
D421	MA8062/M/-X	Z DIODE		
D422	MA8062/M/-X	Z DIODE		
D423	MA8062/M/-X	Z DIODE		
D451	CRS03-W	SB DIODE		
D452	CRS03-W	SB DIODE		
D453	CRS03-W	SB DIODE		
D454	MA8056/H/-X	Z DIODE		
D458	CRS03-W	SB DIODE		
D459	CRS03-W	SB DIODE		
D491	NECBB205/WPQR/X	LED		
D4531	MA8051/M/-X	Z DIODE		
D4541	MA8051/M/-X	Z DIODE		

Symbol No.	Part No.	Part Name	Description	Local
CN401	NNZ0230-003	CAR CONNECTOR		
CN402	QGA1002F1-02X	CONNECTOR	W-B (1-2)	
CN411	QGB0815J1-60X	CONNECTOR	B-B (1-60)	
CN412	QGB1004J4-30X	CONNECTOR	B-B (1-30)	
CN421	QGB0815J1-60X	CONNECTOR	B-B (1-60)	
CN422	QGB1004J4-30X	CONNECTOR	B-B (1-30)	
CN451	QGB2027L9-30X	CONNECTOR	B-B (1-30)	
CN461	QGF0534F3-50X	CONNECTOR	FFC/FPC (1-50)	
CN491	QGA1002F1-02X	CONNECTOR	W-B (1-2)	
EP401	NNZ0165-001X	EARTH TERMINAL		
EP402	NNZ0165-001X	EARTH TERMINAL		
EP403	NNZ0165-001X	EARTH TERMINAL		
EP451	NNZ0165-001X	EARTH TERMINAL		
EP452	NNZ0165-001X	EARTH TERMINAL		
EP453	NNZ0165-001X	EARTH TERMINAL		
EP454	NNZ0165-001X	EARTH TERMINAL		

### Old Panel board (old KW-NT1J)

Block No. [0][4]

Symbol No.	Part No.	Part Name	Description	Local
IC801	BU21010MUV-X	IC		
IC901	JVM4233	IC(MCU)		
IC921	KE455U2557MFP	IC		
IC941	NJM072BV-X	IC		
IC945	TC74VHCT04AFT-X	IC		
IC951	TPS61500PWP-X	IC		
IC952	TC7S08FU-X	IC C.M .		
IC970	TC4066BFT-X	IC(DIGITAL)		
IC973	NJM4565E-X	IC		
IC975	TC4066BFT-X	IC(DIGITAL)		
IC980	NAU0004-005	RF MODULE		
IC983	NJM4565E-X	IC		
IC985	NJM2229M-X	IC		
IC986	NJM2505AF-X	IC		
IC987	NJM2505AF-X	IC		
IC991	BA50BC0FP-X	IC		
IC992	NJM2871BF33-X	IC		
IC993	BA00BC0WFP-X	IC(DIGITAL)		
Q9101	2SA2119K-X	TRANSISTOR		
Q9102	2SC5938A/B/-X	TRANSISTOR		
Q9111	2SA2119K-X	TRANSISTOR		
Q9112	2SC5938A/B/-X	TRANSISTOR		
Q9121	ISA1530AC1/R/-X	TRANSISTOR		
Q9401	2SD601A/QR/-X	TRANSISTOR		
Q9402	2SB709A/QR/-X	TRANSISTOR		
Q9403	2SD601A/QR/-X	TRANSISTOR		
Q9404	2SB709A/QR/-X	TRANSISTOR		
Q9511	RSQ025P03-W	TRANSISTOR		
Q9512	2SK3019-X	MOS FET		
Q9601	RT1N141C-X	DIGI TRANSISTOR		
Q9602	RT1N141C-X	DIGI TRANSISTOR		
Q9701	RT1N141C-X	DIGI TRANSISTOR		
Q9702	RT1N441C-X	TRANSISTOR		
Q9711	RT1N141C-X	DIGI TRANSISTOR		
Q9712	2SB709A/QR/-X	TRANSISTOR		
Q9713	2SC5938A/B/-X	TRANSISTOR		
Q9714	2SB709A/QR/-X	TRANSISTOR		
Q9715	2SC5938A/B/-X	TRANSISTOR		
Q9751	RT1N141C-X	DIGI TRANSISTOR		
Q9752	RT1N441C-X	TRANSISTOR		
D8401	CL-260S-HB8-X	LED		
D8402	CL-260S-HB8-X	LED		
D8403	CL-260S-HB8-X	LED		
D8404	CL-260S-HB8-X	LED		
D9004	MA2SD31-X	SB DIODE		
D9501	MA22D39-X	SB DIODE		
D9812	MA8033-X	Z DIODE		
C8301	NBE20JM-476X	TA E CAPACITOR	47uF 6.3V M	

C451	NEAF1CM-476X	E CAPACITOR	47uF 16V M	
C452	NEAF1CM-107X	E CAPACITOR	100uF 16V M	
C453	NCB31CK-104X	C CAPACITOR	0.1uF 16V K	
C454	NEAF1CM-476X	E CAPACITOR	47uF 16V M	
C455	NEAF1CM-107X	E CAPACITOR	100uF 16V M	
C456	NCB31CK-104X	C CAPACITOR	0.1uF 16V K	
C457	NEAF1CM-107X	E CAPACITOR	100uF 16V M	
C458	NEAF1CM-107X	E CAPACITOR	100uF 16V M	
C4501	NCB31CK-104X	C CAPACITOR	0.1uF 16V K	
C4503	NDC31HJ-471X	C CAPACITOR	470pF 50V J	
C4504	NCB31CK-104X	C CAPACITOR	0.1uF 16V K	
C4505	NCB31CK-104X	C CAPACITOR	0.1uF 16V K	
C4506	NCB31CK-104X	C CAPACITOR	0.1uF 16V K	
C4507	NCB31HK-103X	C CAPACITOR	0.01uF 50V K	
C4508	NDC31HJ-101X	C CAPACITOR	100pF 50V J	
C4509	NCB31CK-104X	C CAPACITOR	0.1uF 16V K	
C4531	NEAF1EM-475X	E CAPACITOR	4.7uF 25V M	
C4532	NDC31HJ-821X	C CAPACITOR	820pF 50V J	
C4533	NDC31HJ-681X	C CAPACITOR	680pF 50V J	
C4534	NEAF1CM-107X	E CAPACITOR	100uF 16V M	
C4535	NEAF1EM-475X	E CAPACITOR	4.7uF 25V M	
C4536	NEAF1CM-107X	E CAPACITOR	100uF 16V M	
C4538	NDC31HJ-331X	C CAPACITOR	330pF 50V J	
C4541	NEAF1EM-475X	E CAPACITOR	4.7uF 25V M	
C4542	NDC31HJ-821X	C CAPACITOR	820pF 50V J	
C4543	NDC31HJ-681X	C CAPACITOR	680pF 50V J	
C4544	NEAF1CM-107X	E CAPACITOR	100uF 16V M	
C4545	NEAF1EM-475X	E CAPACITOR	4.7uF 25V M	
C4548	NDC31HJ-331X	C CAPACITOR	330pF 50V J	

R401	NRSA63J-0R0X	MG RESISTOR	0Ω 1/10W J	
R402	NRSA63J-0R0X	MG RESISTOR	0Ω 1/10W J	
R403	NRSA63J-102X	MG RESISTOR	1kΩ 1/16W J	
R451	NRSA63D-682X	MG RESISTOR	6.8kΩ 1/16W D	
R452	NRSA63D-302X	MG RESISTOR	3kΩ 1/16W D	
R453	NRSA63D-682X	MG RESISTOR	6.8kΩ 1/16W D	
R454	NRSA63D-222X	MG RESISTOR	2.2kΩ 1/16W D	
R455	NRSA63J-681X	MG RESISTOR	680Ω 1/16W J	
R457	NRSA63J-104X	MG RESISTOR	100kΩ 1/16W J	
R4501	NRSA63J-101X	MG RESISTOR	100Ω 1/16W J	
R4531	NRSA63J-104X	MG RESISTOR	100kΩ 1/16W J	
R4532	NRSA63J-182X	MG RESISTOR	1.8kΩ 1/16W J	
R4533	NRSA63J-182X	MG RESISTOR	1.8kΩ 1/16W J	
R4534	NRSA63J-104X	MG RESISTOR	100kΩ 1/16W J	
R4535	NRSA63J-102X	MG RESISTOR	1kΩ 1/16W J	
R4536	NRSA63J-752X	MG RESISTOR	7.5kΩ 1/16W J	
R4537	NRSA63J-472X	MG RESISTOR	4.7kΩ 1/16W J	
R4541	NRSA63J-104X	MG RESISTOR	100kΩ 1/16W J	
R4542	NRSA63J-182X	MG RESISTOR	1.8kΩ 1/16W J	
R4543	NRSA63J-182X	MG RESISTOR	1.8kΩ 1/16W J	
R4544	NRSA63J-104X	MG RESISTOR	100kΩ 1/16W J	
R4545	NRSA63J-102X	MG RESISTOR	1kΩ 1/16W J	
R4546	NRSA63J-752X	MG RESISTOR	7.5kΩ 1/16W J	
R4547	NRSA63J-472X	MG RESISTOR	4.7kΩ 1/16W J	



△ Symbol No.	Part No.	Part Name	Description	Local	△ Symbol No.	Part No.	Part Name	Description	Local
C8302	NCB31CK-104X	C CAPACITOR	0.1uF 16V K		C9743	NCB31CK-105X	C CAPACITOR	1uF 16V K	
C8303	NBE20JM-476X	TA E CAPACITOR	47uF 6.3V M		C9744	NDC31HJ-101X	C CAPACITOR	100pF 50V J	
C8304	NCB31CK-104X	C CAPACITOR	0.1uF 16V K		C9745	NDC31HJ-101X	C CAPACITOR	100pF 50V J	
C8305	NDC31HJ-150X-G	C CAPACITOR	15pF 50V J		C9746	NDC31HJ-101X	C CAPACITOR	100pF 50V J	
C8306	NCB31HK-103X	C CAPACITOR	0.01uF 50V K		C9747	NDC31HJ-101X	C CAPACITOR	100pF 50V J	
C8501	NCB31HK-103X	C CAPACITOR	0.01uF 50V K		C9752	NCB31CK-104X	C CAPACITOR	0.1uF 16V K	
C8504	NCB31HK-103X	C CAPACITOR	0.01uF 50V K		C9801	NEAF0JM-107X	E CAPACITOR	100uF 6.3V M	
C8505	NCJ11EK-106X-R	C CAPACITOR	10uF 25V		C9802	NCB31CK-104X	C CAPACITOR	0.1uF 16V K	
C8601	NDC31HJ-101X	C CAPACITOR	100pF 50V J		C9811	NCB31CK-105X	C CAPACITOR	1uF 16V K	
C8602	NDC31HJ-101X	C CAPACITOR	100pF 50V J		C9812	NCB31CK-105X	C CAPACITOR	1uF 16V K	
C8603	NDC31HJ-101X	C CAPACITOR	100pF 50V J		C9813	NCB31CK-105X	C CAPACITOR	1uF 16V K	
C8604	NCB31HK-102X	C CAPACITOR	1000pF 50V K		C9814	NCB31CK-105X	C CAPACITOR	1uF 16V K	
C9031	NCB31CK-104X	C CAPACITOR	0.1uF 16V K		C9815	NCB31HK-103X	C CAPACITOR	0.01uF 50V K	
C9061	NCB31CK-104X	C CAPACITOR	0.1uF 16V K		C9831	NCB31CK-104X	C CAPACITOR	0.1uF 16V K	
C9062	NDC31HJ-8R0X	C CAPACITOR	8pF 50V J		C9833	NBE41AM-226X	TA E CAPACITOR	22uF 10V M	
C9063	NDC31HJ-8R0X	C CAPACITOR	8pF 50V J		C9834	NCB31CK-105X	C CAPACITOR	1uF 16V K	
C9064	NCB31CK-474X	C CAPACITOR	0.47uF 16V K		C9836	NCB31CK-105X	C CAPACITOR	1uF 16V K	
C9065	NCB31CK-104X	C CAPACITOR	0.1uF 16V K		C9838	NDC31HJ-101X	C CAPACITOR	100pF 50V J	
C9071	NCB31CK-104X	C CAPACITOR	0.1uF 16V K		C9840	NDC31HJ-331X	C CAPACITOR	330pF 50V J	
C9072	NBE40JM-476X	TA E CAPACITOR	47uF 6.3V M		C9842	NDC31HJ-101X	C CAPACITOR	100pF 50V J	
C9092	NCB31HK-103X	C CAPACITOR	0.01uF 50V K		C9851	NBE51CM-476X	TA E CAPACITOR	47uF 16V M	
C9101	NCB31AK-105X	C CAPACITOR	1uF 10V K		C9852	NCB31CK-104X	C CAPACITOR	0.1uF 16V K	
C9111	NCB31AK-105X	C CAPACITOR	1uF 10V K		C9853	NCB31HK-103X	C CAPACITOR	0.01uF 50V K	
C9131	NCB31HK-103X	C CAPACITOR	0.01uF 50V K		C9854	NDC31HJ-101X	C CAPACITOR	100pF 50V J	
C9132	NCB31HK-103X	C CAPACITOR	0.01uF 50V K		C9855	NCB31HK-102X	C CAPACITOR	1000pF 50V K	
C9133	NCB31HK-103X	C CAPACITOR	0.01uF 50V K		C9856	NCB31HK-102X	C CAPACITOR	1000pF 50V K	
C9134	NCB31HK-103X	C CAPACITOR	0.01uF 50V K		C9857	NBE41AM-106X	TA E CAPACITOR	10uF 10V M	
C9201	NCB31CK-104X	C CAPACITOR	0.1uF 16V K		C9861	NCB31CK-105X	C CAPACITOR	1uF 16V K	
C9202	NCB31CK-104X	C CAPACITOR	0.1uF 16V K		C9862	NCB31CK-105X	C CAPACITOR	1uF 16V K	
C9231	NCB31CK-104X	C CAPACITOR	0.1uF 16V K		C9863	NCB31CK-105X	C CAPACITOR	1uF 16V K	
C9232	NCB31CK-104X	C CAPACITOR	0.1uF 16V K		C9871	NBE41CM-226X	TA E CAPACITOR	22uF 16V M	
C9233	NCB31CK-104X	C CAPACITOR	0.1uF 16V K		C9872	NCB31CK-105X	C CAPACITOR	1uF 16V K	
C9234	NCB31CK-104X	C CAPACITOR	0.1uF 16V K		C9873	NCJ21CK-106X-R	C CAPACITOR	10uF 16V K	
C9261	NCB31CK-104X	C CAPACITOR	0.1uF 16V K		C9874	NCJ21CK-106X-R	C CAPACITOR	10uF 16V K	
C9262	NCB31CK-104X	C CAPACITOR	0.1uF 16V K		C9911	NBE51CM-476X	TA E CAPACITOR	47uF 16V M	
C9291	NCB31CK-104X	C CAPACITOR	0.1uF 16V K		C9912	NCB31CK-104X	C CAPACITOR	0.1uF 16V K	
C9292	NCB31CK-104X	C CAPACITOR	0.1uF 16V K		C9913	NBE41CM-226X	TA E CAPACITOR	22uF 16V M	
C9301	NBE41AM-226X	TA E CAPACITOR	22uF 10V M		C9914	NCB31HK-103X	C CAPACITOR	0.01uF 50V K	
C9401	NBE41DM-106X	TA E CAPACITOR	10uF 20V M		C9921	NCB31CK-104X	C CAPACITOR	0.1uF 16V K	
C9402	NCJ11EK-106X-R	C CAPACITOR	10uF 25V		C9922	NBE41AM-226X	TA E CAPACITOR	22uF 10V M	
C9403	NCB31CK-104X	C CAPACITOR	0.1uF 16V K		C9923	NCB31CK-104X	C CAPACITOR	0.1uF 16V K	
C9404	NCB31CK-104X	C CAPACITOR	0.1uF 16V K		C9924	NCB31HK-103X	C CAPACITOR	0.01uF 50V K	
C9405	NCB31EK-104X	C CAPACITOR	0.1uF 25V K		C9931	NCB31CK-104X	C CAPACITOR	0.1uF 16V K	
C9406	NCJ11EK-106X-R	C CAPACITOR	10uF 25V		C9932	NBE41DM-106X	TA E CAPACITOR	10uF 20V M	
C9407	NCB31EK-104X	C CAPACITOR	0.1uF 25V K		C9933	NCJ11EK-106X-R	C CAPACITOR	10uF 25V	
C9408	NCJ11EK-106X-R	C CAPACITOR	10uF 25V		C9934	NCJ11EK-106X-R	C CAPACITOR	10uF 25V	
C9409	NCB31AK-474X	C CAPACITOR	0.47uF 10V K						
C9410	NCB31HK-104X	C CAPACITOR	0.1uF 50V K		R8301	NRSA63J-101X	MG RESISTOR	100Ω 1/16W J	
C9411	NCB31CK-104X	C CAPACITOR	0.1uF 16V K		R8302	NRSA63J-101X	MG RESISTOR	100Ω 1/16W J	
C9451	NCB31CK-104X	C CAPACITOR	0.1uF 16V K		R8303	NRSA63J-222X	MG RESISTOR	2.2kΩ 1/16W J	
C9481	NCB31CK-104X	C CAPACITOR	0.1uF 16V K		R8304	NRSA63J-222X	MG RESISTOR	2.2kΩ 1/16W J	
C9482	NCB31HK-104X	C CAPACITOR	0.1uF 50V K		R8305	NRSA63J-222X	MG RESISTOR	2.2kΩ 1/16W J	
C9483	NCB31CK-104X	C CAPACITOR	0.1uF 16V K		R8306	NRSA63J-222X	MG RESISTOR	2.2kΩ 1/16W J	
C9484	NCB31CK-104X	C CAPACITOR	0.1uF 16V K		R8601	NRSA63J-104X	MG RESISTOR	100kΩ 1/16W J	
C9501	NBE41DM-106X	TA E CAPACITOR	10uF 20V M		R8602	NRSA63J-104X	MG RESISTOR	100kΩ 1/16W J	
C9502	NCJ11EK-106X-R	C CAPACITOR	10uF 25V		R8603	NRSA63J-104X	MG RESISTOR	100kΩ 1/16W J	
C9503	NCJ11EK-106X-R	C CAPACITOR	10uF 25V		R9001	NRSA63J-101X	MG RESISTOR	100Ω 1/16W J	
C9504	NCB31CK-105X	C CAPACITOR	1uF 16V K		R9002	NRSA63J-101X	MG RESISTOR	100Ω 1/16W J	
C9505	NCB31EK-223X	C CAPACITOR	0.022uF 25V K		R9003	NRSA63J-102X	MG RESISTOR	1kΩ 1/16W J	
C9507	NCB31CK-474X	C CAPACITOR	0.47uF 16V K		R9004	NRSA63J-102X	MG RESISTOR	1kΩ 1/16W J	
C9508	NEAG1CM-476X	E CAPACITOR	47uF 16V M		R9005	NRSA63J-102X	MG RESISTOR	1kΩ 1/16W J	
C9509	NEAG1CM-476X	E CAPACITOR	47uF 16V M		R9006	NRSA63J-102X	MG RESISTOR	1kΩ 1/16W J	
C9510	NEAF1CM-107X	E CAPACITOR	100uF 16V M		R9007	NRSA63J-102X	MG RESISTOR	1kΩ 1/16W J	
C9511	NEAG1CM-476X	E CAPACITOR	47uF 16V M		R9008	NRSA63J-102X	MG RESISTOR	1kΩ 1/16W J	
C9512	NCB31CK-104X	C CAPACITOR	0.1uF 16V K		R9009	NRSA63J-102X	MG RESISTOR	1kΩ 1/16W J	
C9513	NCJ11EK-106X-R	C CAPACITOR	10uF 25V		R9010	NRSA63J-102X	MG RESISTOR	1kΩ 1/16W J	
C9514	NCJ11EK-106X-R	C CAPACITOR	10uF 25V		R9011	NRSA63J-102X	MG RESISTOR	1kΩ 1/16W J	
C9515	NCJ11EK-106X-R	C CAPACITOR	10uF 25V		R9012	NRSA63J-0R0X	MG RESISTOR	0Ω 1/10W J	
C9516	NCJ11EK-106X-R	C CAPACITOR	10uF 25V		R9013	NRSA63J-472X	MG RESISTOR	4.7kΩ 1/16W J	
C9702	NCB31CK-104X	C CAPACITOR	0.1uF 16V K		R9014	NRSA63J-472X	MG RESISTOR	4.7kΩ 1/16W J	
C9703	NCJ21CK-106X-R	C CAPACITOR	10uF 16V K		R9015	NRSA63J-103X	MG RESISTOR	10kΩ 1/16W J	
C9704	NCJ21CK-106X-R	C CAPACITOR	10uF 16V K		R9021	NRSA63J-0R0X	MG RESISTOR	0Ω 1/10W J	
C9705	NCB31HK-103X	C CAPACITOR	0.01uF 50V K		R9022	NRSA63J-102X	MG RESISTOR	1kΩ 1/16W J	
C9731	NCB31CK-104X	C CAPACITOR	0.1uF 16V K		R9023	NRSA63J-102X	MG RESISTOR	1kΩ 1/16W J	
C9733	NBE41AM-476X	TA E CAPACITOR	47uF 10V M		R9024	NRSA63J-102X	MG RESISTOR	1kΩ 1/16W J	
C9736	NCB31CK-105X	C CAPACITOR	1uF 16V K		R9025	NRSA63J-102X	MG RESISTOR	1kΩ 1/16W J	
C9737	NCB31CK-105X	C CAPACITOR	1uF 16V K		R9026	NRSA63J-561X	MG RESISTOR	560Ω 1/16W J	
C9742	NCB31CK-105X	C CAPACITOR	1uF 16V K		R9027	NRSA63J-561X	MG RESISTOR	560Ω 1/16W J	

△ Symbol No.	Part No.	Part Name	Description	Local	△ Symbol No.	Part No.	Part Name	Description	Local
R9028	NRSA63J-101X	MG RESISTOR	100Ω 1/16W J		R9268	NRSA63J-101X	MG RESISTOR	100Ω 1/16W J	
R9029	NRSA63J-102X	MG RESISTOR	1kΩ 1/16W J		R9269	NRSA63J-101X	MG RESISTOR	100Ω 1/16W J	
R9030	NRSA63J-102X	MG RESISTOR	1kΩ 1/16W J		R9270	NRSA63J-101X	MG RESISTOR	100Ω 1/16W J	
R9033	NRSA63J-103X	MG RESISTOR	10kΩ 1/16W J		R9271	NRSA63J-101X	MG RESISTOR	100Ω 1/16W J	
R9041	NRSA63J-102X	MG RESISTOR	1kΩ 1/16W J		R9272	NRSA63J-101X	MG RESISTOR	100Ω 1/16W J	
R9042	NRSA63J-102X	MG RESISTOR	1kΩ 1/16W J		R9273	NRSA63J-101X	MG RESISTOR	100Ω 1/16W J	
R9043	NRSA63J-102X	MG RESISTOR	1kΩ 1/16W J		R9275	NRSA63J-101X	MG RESISTOR	100Ω 1/16W J	
R9044	NRSA63J-102X	MG RESISTOR	1kΩ 1/16W J		R9276	NRSA63J-101X	MG RESISTOR	100Ω 1/16W J	
R9045	NRSA63J-102X	MG RESISTOR	1kΩ 1/16W J		R9277	NRSA63J-101X	MG RESISTOR	100Ω 1/16W J	
R9049	NRSA63J-102X	MG RESISTOR	1kΩ 1/16W J		R9278	NRSA63J-101X	MG RESISTOR	100Ω 1/16W J	
R9050	NRSA63J-102X	MG RESISTOR	1kΩ 1/16W J		R9279	NRSA63J-101X	MG RESISTOR	100Ω 1/16W J	
R9051	NRSA63J-102X	MG RESISTOR	1kΩ 1/16W J		R9280	NRSA63J-101X	MG RESISTOR	100Ω 1/16W J	
R9052	NRSA63J-102X	MG RESISTOR	1kΩ 1/16W J		R9281	NRSA63J-101X	MG RESISTOR	100Ω 1/16W J	
R9053	NRSA63J-822X	MG RESISTOR	8.2kΩ 1/16W J		R9282	NRSA63J-101X	MG RESISTOR	100Ω 1/16W J	
R9062	NRSA63J-103X	MG RESISTOR	10kΩ 1/16W J		R9284	NRSA63J-101X	MG RESISTOR	100Ω 1/16W J	
R9063	NRSA63J-103X	MG RESISTOR	10kΩ 1/16W J		R9292	NRSA63J-103X	MG RESISTOR	10kΩ 1/16W J	
R9064	NRSA63J-222X	MG RESISTOR	2.2kΩ 1/16W J		R9298	NRSA63J-103X	MG RESISTOR	10kΩ 1/16W J	
R9065	NRSA63J-102X	MG RESISTOR	1kΩ 1/16W J		R9299	NRSA63J-103X	MG RESISTOR	10kΩ 1/16W J	
R9066	NRSA63J-472X	MG RESISTOR	4.7kΩ 1/16W J		R9300	NRSA63J-103X	MG RESISTOR	10kΩ 1/16W J	
R9067	NRSA63J-473X	MG RESISTOR	47kΩ 1/16W J		R9301	NRSA63J-103X	MG RESISTOR	10kΩ 1/16W J	
R9068	NRSA63J-102X	MG RESISTOR	1kΩ 1/16W J		R9302	NRSA63J-103X	MG RESISTOR	10kΩ 1/16W J	
R9081	NRSA63J-0R0X	MG RESISTOR	0Ω 1/10W J		R9306	NRSA63J-101X	MG RESISTOR	100Ω 1/16W J	
R9082	NRSA63J-0R0X	MG RESISTOR	0Ω 1/10W J		R9307	NRSA63J-103X	MG RESISTOR	10kΩ 1/16W J	
R9091	NRSA02J-101X	MG RESISTOR	100Ω 1/10W J		R9308	NRSA63J-103X	MG RESISTOR	10kΩ 1/16W J	
R9101	NRSA63J-332X	MG RESISTOR	3.3kΩ 1/16W J		R9309	NRSA63J-101X	MG RESISTOR	100Ω 1/16W J	
R9102	NRSA63J-223X	MG RESISTOR	22kΩ 1/16W J		R9310	NRSA63J-101X	MG RESISTOR	100Ω 1/16W J	
R9103	NRSA63J-222X	MG RESISTOR	2.2kΩ 1/16W J		R9311	NRSA63J-101X	MG RESISTOR	100Ω 1/16W J	
R9104	NRSA63J-332X	MG RESISTOR	3.3kΩ 1/16W J		R9316	NRSA63J-101X	MG RESISTOR	100Ω 1/16W J	
R9105	NRSA63J-223X	MG RESISTOR	22kΩ 1/16W J		R9322	NRSA63J-0R0X	MG RESISTOR	0Ω 1/10W J	
R9106	NRSA63J-222X	MG RESISTOR	2.2kΩ 1/16W J		R9401	NRSA63D-103X	MG RESISTOR	10kΩ 1/16W D	
R9107	NRSA63J-474X	MG RESISTOR	470kΩ 1/16W J		R9402	NRSA63D-103X	MG RESISTOR	10kΩ 1/16W D	
R9111	NRSA63J-332X	MG RESISTOR	3.3kΩ 1/16W J		R9403	NRSA63D-223X	MG RESISTOR	22kΩ 1/16W D	
R9112	NRSA63J-223X	MG RESISTOR	22kΩ 1/16W J		R9404	NRSA63J-390X	MG RESISTOR	39Ω 1/16W J	
R9113	NRSA63J-222X	MG RESISTOR	2.2kΩ 1/16W J		R9405	NRSA63J-104X	MG RESISTOR	100kΩ 1/16W J	
R9114	NRSA63J-332X	MG RESISTOR	3.3kΩ 1/16W J		R9406	NRSA63D-183X	MG RESISTOR	18kΩ 1/16W D	
R9115	NRSA63J-223X	MG RESISTOR	22kΩ 1/16W J		R9407	NRSA63J-474X	MG RESISTOR	470kΩ 1/16W J	
R9116	NRSA63J-222X	MG RESISTOR	2.2kΩ 1/16W J		R9408	NRSA63J-474X	MG RESISTOR	470kΩ 1/16W J	
R9117	NRSA63J-474X	MG RESISTOR	470kΩ 1/16W J		R9409	NRSA63J-101X	MG RESISTOR	100Ω 1/16W J	
R9122	NRSA63J-223X	MG RESISTOR	22kΩ 1/16W J		R9410	NRSA63J-103X	MG RESISTOR	10kΩ 1/16W J	
R9123	NRSA63J-223X	MG RESISTOR	22kΩ 1/16W J		R9411	NRSA63J-103X	MG RESISTOR	10kΩ 1/16W J	
R9125	NRSA63J-222X	MG RESISTOR	2.2kΩ 1/16W J		R9412	NRSA63J-390X	MG RESISTOR	39Ω 1/16W J	
R9201	NRSA63J-101X	MG RESISTOR	100Ω 1/16W J		R9413	NRSA63J-2R2X	MG RESISTOR	2.2Ω 1/16W J	
R9202	NRSA63J-101X	MG RESISTOR	100Ω 1/16W J		R9414	NRSA63J-2R2X	MG RESISTOR	2.2Ω 1/16W J	
R9203	NRSA63J-101X	MG RESISTOR	100Ω 1/16W J		R9415	NRSA63J-390X	MG RESISTOR	39Ω 1/16W J	
R9204	NRSA63J-101X	MG RESISTOR	100Ω 1/16W J		R9416	NRSA63D-473X	MG RESISTOR	47kΩ 1/16W D	
R9205	NRSA63J-101X	MG RESISTOR	100Ω 1/16W J		R9417	NRSA63D-243X	MG RESISTOR	24kΩ 1/16W D	
R9206	NRSA63J-101X	MG RESISTOR	100Ω 1/16W J		R9418	NRSA63J-103X	MG RESISTOR	10kΩ 1/16W J	
R9210	NRSA63J-101X	MG RESISTOR	100Ω 1/16W J		R9452	NRSA63J-0R0X	MG RESISTOR	0Ω 1/10W J	
R9211	NRSA63J-101X	MG RESISTOR	100Ω 1/16W J		R9453	NRSA63J-0R0X	MG RESISTOR	0Ω 1/10W J	
R9212	NRSA63J-101X	MG RESISTOR	100Ω 1/16W J		R9461	NRSA63D-240X	MG RESISTOR	24Ω 1/16W D	
R9213	NRSA63J-101X	MG RESISTOR	100Ω 1/16W J		R9462	NRSA63D-221X	MG RESISTOR	220Ω 1/16W D	
R9214	NRSA63J-101X	MG RESISTOR	100Ω 1/16W J		R9463	NRSA63D-820X	MG RESISTOR	82Ω 1/16W D	
R9215	NRSA63J-101X	MG RESISTOR	100Ω 1/16W J		R9464	NRSA63D-470X	MG RESISTOR	47Ω 1/16W D	
R9219	NRSA63J-101X	MG RESISTOR	100Ω 1/16W J		R9465	NRSA63D-390X	MG RESISTOR	39Ω 1/16W D	
R9220	NRSA63J-101X	MG RESISTOR	100Ω 1/16W J		R9466	NRSA63D-430X	MG RESISTOR	43Ω 1/16W D	
R9221	NRSA63J-101X	MG RESISTOR	100Ω 1/16W J		R9467	NRSA63D-470X	MG RESISTOR	47Ω 1/16W D	
R9222	NRSA63J-101X	MG RESISTOR	100Ω 1/16W J		R9468	NRSA63D-680X	MG RESISTOR	68Ω 1/16W D	
R9223	NRSA63J-101X	MG RESISTOR	100Ω 1/16W J		R9469	NRSA63D-161X	MG RESISTOR	160Ω 1/16W D	
R9224	NRSA63J-101X	MG RESISTOR	100Ω 1/16W J		R9470	NRSA63D-201X	MG RESISTOR	200Ω 1/16W D	
R9232	NRSA63J-101X	MG RESISTOR	100Ω 1/16W J		R9471	NRSA63D-100X	MG RESISTOR	10Ω 1/16W D	
R9233	NRSA63J-101X	MG RESISTOR	100Ω 1/16W J		R9472	NRSA63D-100X	MG RESISTOR	10Ω 1/16W D	
R9234	NRSA63J-101X	MG RESISTOR	100Ω 1/16W J		R9501	NRSA63J-205X	MG RESISTOR	2MΩ 1/16W J	
R9235	NRSA63J-101X	MG RESISTOR	100Ω 1/16W J		R9502	NRSA63J-134X	MG RESISTOR	130kΩ 1/16W J	
R9236	NRSA63J-101X	MG RESISTOR	100Ω 1/16W J		R9503	NRSA63J-2R0X	MG RESISTOR	2Ω 1/16W J	
R9240	NRSA63J-101X	MG RESISTOR	100Ω 1/16W J		R9504	NRSA63J-2R0X	MG RESISTOR	2Ω 1/16W J	
R9247	NRSA63J-103X	MG RESISTOR	10kΩ 1/16W J		R9505	NRSA63D-392X	MG RESISTOR	3.9kΩ 1/16W D	
R9248	NRSA63J-103X	MG RESISTOR	10kΩ 1/16W J		R9506	NRSA63D-393X	MG RESISTOR	39kΩ 1/16W D	
R9251	NRSA63J-103X	MG RESISTOR	10kΩ 1/16W J		R9507	NRSA63J-0R0X	MG RESISTOR	0Ω 1/10W J	
R9253	NRSA63J-103X	MG RESISTOR	10kΩ 1/16W J		R9511	NRSA63J-222X	MG RESISTOR	2.2kΩ 1/16W J	
R9255	NRSA63J-103X	MG RESISTOR	10kΩ 1/16W J		R9512	NRSA63J-222X	MG RESISTOR	2.2kΩ 1/16W J	
R9256	NRSA63J-102X	MG RESISTOR	1kΩ 1/16W J		R9513	NRSA63J-102X	MG RESISTOR	1kΩ 1/16W J	
R9257	NRSA63J-101X	MG RESISTOR	100Ω 1/16W J		R9514	NRSA63J-1R0X	MG RESISTOR	1Ω 1/16W J	
R9261	NRSA63J-101X	MG RESISTOR	100Ω 1/16W J		R9515	NRSA63J-1R0X	MG RESISTOR	1Ω 1/16W J	
R9262	NRSA63J-101X	MG RESISTOR	100Ω 1/16W J		R9516	NRSA63J-102X	MG RESISTOR	1kΩ 1/16W J	
R9263	NRSA63J-101X	MG RESISTOR	100Ω 1/16W J		R9601	NRSA02J-682X	MG RESISTOR	6.8kΩ 1/10W J	
R9264	NRSA63J-101X	MG RESISTOR	100Ω 1/16W J		R9602	NRSA02J-222X	MG RESISTOR	2.2kΩ 1/10W J	
R9265	NRSA63J-101X	MG RESISTOR	100Ω 1/16W J		R9603	NRSA02J-332X	MG RESISTOR	3.3kΩ 1/10W J	
R9266	NRSA63J-101X	MG RESISTOR	100Ω 1/16W J		R9701	NRSA63J-101X	MG RESISTOR	100Ω 1/16W J	

△ Symbol No.	Part No.	Part Name	Description	Local	△ Symbol No.	Part No.	Part Name	Description	Local
R9702	NRSA63J-101X	MG RESISTOR	100Ω 1/16W J		CN901	QGF0534F3-40X	CONNECTOR	FFC/FPC (1-40)	
R9703	NRSA63J-101X	MG RESISTOR	100Ω 1/16W J		CN902	QGF0534F3-10X	CONNECTOR	FFC/FPC (1-10)	
R9704	NRSA63J-224X	MG RESISTOR	220kΩ 1/16W J		CN911	QGF1039F2-04X	CONNECTOR	FFC/FPC (1-4)	
R9706	NRSA63J-224X	MG RESISTOR	220kΩ 1/16W J		CN921	QGB0812L2-30X	CONNECTOR	B-B (1-30)	
R9710	NRSA63J-224X	MG RESISTOR	220kΩ 1/16W J		CN941	QGF0534F2-60X	CONNECTOR	FFC/FPC (1-60)	
R9712	NRSA63J-103X	MG RESISTOR	10kΩ 1/16W J		CN951	QGF0568F1-10W	CONNECTOR	FFC/FPC (1-10)	
R9713	NRSA63J-103X	MG RESISTOR	10kΩ 1/16W J		CN971	QGF0534F3-06X	CONNECTOR	FFC/FPC (1-6)	
R9714	NRSA63J-222X	MG RESISTOR	2.2kΩ 1/16W J		EP851	NNZ0129-001X	EARTH TERMINAL		
R9715	NRSA63J-103X	MG RESISTOR	10kΩ 1/16W J		EP861	NNZ0129-001X	EARTH TERMINAL		
R9716	NRSA63J-750X	MG RESISTOR	75Ω 1/16W J		EP991	NNZ0129-001X	EARTH TERMINAL		
R9717	NRSA63J-222X	MG RESISTOR	2.2kΩ 1/16W J		EP992	NNZ0129-001X	EARTH TERMINAL		
R9718	NRSA63J-222X	MG RESISTOR	2.2kΩ 1/16W J		EP993	NNZ0129-001X	EARTH TERMINAL		
R9719	NRSA63J-103X	MG RESISTOR	10kΩ 1/16W J		EP994	NNZ0129-001X	EARTH TERMINAL		
R9720	NRSA63J-750X	MG RESISTOR	75Ω 1/16W J		EP995	NNZ0129-001X	EARTH TERMINAL		
R9721	NRSA63J-222X	MG RESISTOR	2.2kΩ 1/16W J		△ F9001	NMFZ018-R75X-E	FUSE	0.75A	
R9723	NRSA63J-0R0X	MG RESISTOR	0Ω 1/10W J		△ F9801	NMFZ018-R75X-E	FUSE	0.75A	
R9731	NRSA63J-103X	MG RESISTOR	10kΩ 1/16W J		J8501	QNZ1007-001	USB JACK		
R9732	NRSA63J-103X	MG RESISTOR	10kΩ 1/16W J		J8601	QNS0288-002	AUX JACK		
R9733	NRSA63J-223X	MG RESISTOR	22kΩ 1/16W J		K8501	NRSA63J-0R0X	MG RESISTOR	0Ω 1/10W J	
R9734	NRSA63J-223X	MG RESISTOR	22kΩ 1/16W J		K8502	NRSA63J-0R0X	MG RESISTOR	0Ω 1/10W J	
R9735	NRSA63J-303X	MG RESISTOR	30kΩ 1/16W J		K8503	NRSA63J-0R0X	MG RESISTOR	0Ω 1/10W J	
R9736	NRSA63J-303X	MG RESISTOR	30kΩ 1/16W J		K8504	NRSA63J-0R0X	MG RESISTOR	0Ω 1/10W J	
R9737	NRSA63J-104X	MG RESISTOR	100kΩ 1/16W J		K8505	NRSA63J-0R0X	MG RESISTOR	0Ω 1/10W J	
R9743	NRSA63J-303X	MG RESISTOR	30kΩ 1/16W J		K8601	NRSA63J-0R0X	MG RESISTOR	0Ω 1/10W J	
R9744	NRSA63J-303X	MG RESISTOR	30kΩ 1/16W J		K8602	NRSA63J-0R0X	MG RESISTOR	0Ω 1/10W J	
R9745	NRSA63J-223X	MG RESISTOR	22kΩ 1/16W J		K8603	NRSA63J-0R0X	MG RESISTOR	0Ω 1/10W J	
R9746	NRSA63J-223X	MG RESISTOR	22kΩ 1/16W J		K8604	NRSA63J-0R0X	MG RESISTOR	0Ω 1/10W J	
R9753	NRSA63J-103X	MG RESISTOR	10kΩ 1/16W J		TH901	NAD0028-103X	N THERMISTOR	10kΩ	
R9754	NRSA63J-103X	MG RESISTOR	10kΩ 1/16W J		VA851	NAF0020-001X	VARISTOR		
R9811	NRSA63J-331X	MG RESISTOR	330Ω 1/16W J		VA852	NAF0019-001X	VARISTOR		
R9812	NRSA63J-331X	MG RESISTOR	330Ω 1/16W J		VA853	NAF0019-001X	VARISTOR		
R9813	NRSA63J-331X	MG RESISTOR	330Ω 1/16W J		X9001	NAX0872-001X	CRYSTAL		
R9814	NRSA63J-331X	MG RESISTOR	330Ω 1/16W J						
R9818	NRSA63J-0R0X	MG RESISTOR	0Ω 1/10W J						
R9819	NRSA63J-0R0X	MG RESISTOR	0Ω 1/10W J						
R9820	NRSA63J-0R0X	MG RESISTOR	0Ω 1/10W J						
R9831	NRSA63J-104X	MG RESISTOR	100kΩ 1/16W J						
R9832	NRSA63J-104X	MG RESISTOR	100kΩ 1/16W J						
R9833	NRSA63J-243X	MG RESISTOR	24kΩ 1/16W J						
R9835	NRSA63J-243X	MG RESISTOR	24kΩ 1/16W J						
R9837	NRSA63J-223X	MG RESISTOR	22kΩ 1/16W J						
R9839	NRSA63J-223X	MG RESISTOR	22kΩ 1/16W J						
R9852	NRSA63J-684X	MG RESISTOR	680kΩ 1/16W J						
R9853	NRSA63J-302X	MG RESISTOR	3kΩ 1/16W J						
R9854	NRSA63J-103X	MG RESISTOR	10kΩ 1/16W J						
R9855	NRSA63J-333X	MG RESISTOR	33kΩ 1/16W J						
R9856	NRSA63J-302X	MG RESISTOR	3kΩ 1/16W J						
R9857	NRSA63J-103X	MG RESISTOR	10kΩ 1/16W J						
R9859	NRSA63J-103X	MG RESISTOR	10kΩ 1/16W J						
R9861	NRSA63J-224X	MG RESISTOR	220kΩ 1/16W J						
R9862	NRSA63J-224X	MG RESISTOR	220kΩ 1/16W J						
R9863	NRSA63J-101X	MG RESISTOR	100Ω 1/16W J						
R9864	NRSA63J-101X	MG RESISTOR	100Ω 1/16W J						
R9871	NRSA63J-0R0X	MG RESISTOR	0Ω 1/10W J						
R9874	NRSA63J-101X	MG RESISTOR	100Ω 1/16W J						
R9875	NRSA63J-101X	MG RESISTOR	100Ω 1/16W J						
R9876	NRSA02J-0R0X	MG RESISTOR	0Ω 1/10W J						
R9931	NRSA63D-133X	MG RESISTOR	13kΩ 1/16W D						
R9932	NRSA63D-222X	MG RESISTOR	2.2kΩ 1/16W D						
L8501	NQR0536-001X	CHOKE COIL							
L9001	NQL79GM-100X	COIL	10uH M						
L9201	NQL79GM-100X	COIL	10uH M						
L9401	NQL79GM-100X	COIL	10uH M						
L9402	NQL79GM-100X	COIL	10uH M						
L9501	NQL2007-101X	CHOKE COIL	100uH						
L9502	NQL52EM-100X	COIL	10uH M						
L9801	NQL79GM-100X	COIL	10uH M						
L9851	NRSA02J-0R0X	MG RESISTOR	0Ω 1/10W J						
L9861	NQL79GM-470X	COIL	47uH M						
L9871	NQL79GM-470X	COIL	47uH M						
L9911	NQL79GM-1R0X	COIL	1uH M						
CN801	QGB0525L1-14X	CONNECTOR	B-B (1-14)		D6	AN1102W-6-X	IR LED		
CN802	QGF0536C2-10W	CONNECTOR	FFC/FPC (1-10)		D7	AN1102W-6-X	IR LED		
CN841	QGB0525M1-14X	CONNECTOR	B-B (1-14)		D9	PS1192HB-22-X	PHOTO TRANSISTOR		
CN851	QGF0536C2-07W	CONNECTOR	FFC/FPC (1-7)						
CN861	QGF0536C2-06W	CONNECTOR	FFC/FPC (1-6)		D11	PS1192HB-22-X	PHOTO TRANSISTOR		

**Old Front end board (FMU-XD3-21D)**  
**Block No. [0][5]**

△ Symbol No.	Part No.	Part Name	Description	Local
IC1	BD8215EFV-X	IC		
IC3	MM3233CF-X	IC		
IC301	MN2DS0018MA	IC		
IC302	MM1701CH-X	IC		
IC304	S-80828CNBNB-G-W	IC		
IC398	JVM4401	IC		
IC399	V54C3128164VCI7	IC		
IC399	or M12L128168A-7TG	IC(DIGITAL)		
IC399	or HY57V281620FTH	IC(DIGITAL)		
IC400	AK4387ET-X	IC		
IC481	BR24S32FVT-W-X	IC(DIGITAL)		
IC501	TC74LCX373FT-X	IC(DIGITAL)		
IC502	TC74LCX373FT-X	IC(DIGITAL)		
Q2	RT1N141U-X	DIGI TRANSISTOR		
Q4	2SC3928A/R/-X	TRANSISTOR		
Q4	or 2SD601A/R/-X	TRANSISTOR		
Q7	2SC3928A/R/-X	TRANSISTOR		
Q7	or 2SD601A/R/-X	TRANSISTOR		
Q8	2SA1774/R/-X	TRANSISTOR		
Q9	2SC4617/R/-X	TRANSISTOR		
Q101	2SB1424/R/-W	TRANSISTOR		
Q102	2SC4617/R/-X	TRANSISTOR		
Q103	2SB1424/R/-W	TRANSISTOR		
Q104	2SC4617/R/-X	TRANSISTOR		
Q105	2SC4617/R/-X	TRANSISTOR		
Q106	2SK3546J-X	MOS FET		
Q107	2SK3546J-X	MOS FET		
Q301	RT1N441U-X	DIGI TRANSISTOR		
Q302	RT1N441U-X	DIGI TRANSISTOR		

△ Symbol No.	Part No.	Part Name	Description	Local	△ Symbol No.	Part No.	Part Name	Description	Local
C2	NCB31CK-104X	C CAPACITOR	0.1uF 16V K		C134	NCB31CK-104X	C CAPACITOR	0.1uF 16V K	
C3	NCB31CK-104X	C CAPACITOR	0.1uF 16V K		C135	NCB31CK-104X	C CAPACITOR	0.1uF 16V K	
C4	NCB31CK-104X	C CAPACITOR	0.1uF 16V K		C136	NCB31CK-104X	C CAPACITOR	0.1uF 16V K	
C5	NCB31CK-104X	C CAPACITOR	0.1uF 16V K		C137	NBE20JM-226X	TA E CAPACITOR	22uF 6.3V M	
C6	NCB31CK-104X	C CAPACITOR	0.1uF 16V K		C139	NBE20JM-226X	TA E CAPACITOR	22uF 6.3V M	
C7	NCB31CK-104X	C CAPACITOR	0.1uF 16V K		C142	NDC31HJ-471X	C CAPACITOR	470pF 50V J	
C8	NCB31CK-104X	C CAPACITOR	0.1uF 16V K		C143	NBE41AM-476X	TA E CAPACITOR	47uF 10V M	
C9	NCB31CK-104X	C CAPACITOR	0.1uF 16V K		C145	NBE41AM-476X	TA E CAPACITOR	47uF 10V M	
C11	NCB31CK-104X	C CAPACITOR	0.1uF 16V K		C148	NCB31HK-331X	C CAPACITOR	330pF 50V K	
C12	NCB31CK-104X	C CAPACITOR	0.1uF 16V K		C149	NDC31HJ-471X	C CAPACITOR	470pF 50V J	
C13	NCB31CK-104X	C CAPACITOR	0.1uF 16V K		C151	NCB31CK-473X	C CAPACITOR	0.047uF 16V K	
C14	NCB31CK-104X	C CAPACITOR	0.1uF 16V K		C155	NDC31HJ-101X	C CAPACITOR	100pF 50V J	
C15	NCB31CK-104X	C CAPACITOR	0.1uF 16V K		C156	NCB31CK-104X	C CAPACITOR	0.1uF 16V K	
C16	NCB31CK-104X	C CAPACITOR	0.1uF 16V K		C161	NDC31HJ-471X	C CAPACITOR	470pF 50V J	
C17	NCB31CK-104X	C CAPACITOR	0.1uF 16V K		C162	NDC31HJ-471X	C CAPACITOR	470pF 50V J	
C18	NCB31CK-104X	C CAPACITOR	0.1uF 16V K		C164	NCB21CK-105X	C CAPACITOR	1uF 16V K	
C19	NCB31CK-104X	C CAPACITOR	0.1uF 16V K		C167	NDC31HJ-272X	C CAPACITOR	2700pF 50V J	
C20	NCB31CK-104X	C CAPACITOR	0.1uF 16V K		C170	NCB31CK-104X	C CAPACITOR	0.1uF 16V K	
C21	NBE41AM-476X	TA E CAPACITOR	47uF 10V M		C173	NCB31CK-104X	C CAPACITOR	0.1uF 16V K	
C22	NBE41AM-476X	TA E CAPACITOR	47uF 10V M		C174	NCB31CK-104X	C CAPACITOR	0.1uF 16V K	
C23	NBE41AM-476X	TA E CAPACITOR	47uF 10V M		C175	NBE61CM-107X	TA E CAPACITOR	100uF 16V M	
C24	NCB31CK-104X	C CAPACITOR	0.1uF 16V K		C176	NCB31CK-104X	C CAPACITOR	0.1uF 16V K	
C25	NCB31CK-104X	C CAPACITOR	0.1uF 16V K		C177	NCB31CK-104X	C CAPACITOR	0.1uF 16V K	
C26	NCB31CK-104X	C CAPACITOR	0.1uF 16V K		C178	NCB31CK-104X	C CAPACITOR	0.1uF 16V K	
C31	NCB31HK-681X	C CAPACITOR	680pF 50V K		C197	NCB31CK-104X	C CAPACITOR	0.1uF 16V K	
C32	NCB31HK-561X	C CAPACITOR	560pF 50V K		C199	NCB31CK-104X	C CAPACITOR	0.1uF 16V K	
C60	NCB31HK-103X	C CAPACITOR	0.01uF 50V K		C200	NBE40JM-476X	TA E CAPACITOR	47uF 6.3V M	
C63	NBE40JM-476X	TA E CAPACITOR	47uF 6.3V M		C201	NCB31CK-104X	C CAPACITOR	0.1uF 16V K	
C65	NCB31CK-104X	C CAPACITOR	0.1uF 16V K		C205	NCB21AK-225X	C CAPACITOR	2.2uF 10V K	
C66	NCB31CK-104X	C CAPACITOR	0.1uF 16V K		C206	NDC31HJ-222X	C CAPACITOR	2200pF 50V J	
C67	NCB31HK-103X	C CAPACITOR	0.01uF 50V K		C211	NCB31CK-104X	C CAPACITOR	0.1uF 16V K	
C68	NCB31CK-104X	C CAPACITOR	0.1uF 16V K		C215	NDC31HJ-181X	C CAPACITOR	180pF 50V J	
C69	NCB21CK-105X	C CAPACITOR	1uF 16V K		C216	NCB31CK-104X	C CAPACITOR	0.1uF 16V K	
C70	NCB31CK-104X	C CAPACITOR	0.1uF 16V K		C218	NCB31CK-104X	C CAPACITOR	0.1uF 16V K	
C71	NCB31CK-104X	C CAPACITOR	0.1uF 16V K		C219	NCB31CK-223X	C CAPACITOR	0.022uF 16V K	
C72	NCB31CK-105X	C CAPACITOR	1uF 16V K		C220	NCB31HK-102X	C CAPACITOR	1000pF 50V K	
C73	NCB31CK-104X	C CAPACITOR	0.1uF 16V K		C222	NCB31CK-104X	C CAPACITOR	0.1uF 16V K	
C74	NCB31CK-104X	C CAPACITOR	0.1uF 16V K		C223	NCB31HK-102X	C CAPACITOR	1000pF 50V K	
C75	NCB31CK-104X	C CAPACITOR	0.1uF 16V K		C224	NCB21AK-225X	C CAPACITOR	2.2uF 10V K	
C76	NCB31CK-104X	C CAPACITOR	0.1uF 16V K		C225	NBE61CM-107X	TA E CAPACITOR	100uF 16V M	
C77	NCB31CK-104X	C CAPACITOR	0.1uF 16V K		C228	NCB31HK-102X	C CAPACITOR	1000pF 50V K	
C78	NCB31CK-104X	C CAPACITOR	0.1uF 16V K		C229	NCB31CK-223X	C CAPACITOR	0.022uF 16V K	
C79	NCB31CK-104X	C CAPACITOR	0.1uF 16V K		C232	NBE61CM-107X	TA E CAPACITOR	100uF 16V M	
C80	NCB21CK-105X	C CAPACITOR	1uF 16V K		C233	NCB21CK-105X	C CAPACITOR	1uF 16V K	
C81	NDC31HJ-120X	C CAPACITOR	12pF 50V J		C235	NCB31HK-102X	C CAPACITOR	1000pF 50V K	
C82	NDC31HJ-150X	C CAPACITOR	15pF 50V J		C237	NDC31HJ-221X	C CAPACITOR	220pF 50V J	
C83	NCB31CK-104X	C CAPACITOR	0.1uF 16V K		C238	NCB31CK-104X	C CAPACITOR	0.1uF 16V K	
C84	NCB31CK-333X	C CAPACITOR	0.033uF 16V K		C240	NCB31CK-104X	C CAPACITOR	0.1uF 16V K	
C85	NCB31CK-104X	C CAPACITOR	0.1uF 16V K		C241	NCB31CK-104X	C CAPACITOR	0.1uF 16V K	
C86	NCB31CK-104X	C CAPACITOR	0.1uF 16V K		R21	NRSA63J-0R0X	MG RESISTOR	0Ω 1/10W J	
C87	NCB31CK-104X	C CAPACITOR	0.1uF 16V K		R22	NRSA63J-0R0X	MG RESISTOR	0Ω 1/10W J	
C88	NCB31CK-104X	C CAPACITOR	0.1uF 16V K		R25	NRSA63J-0R0X	MG RESISTOR	0Ω 1/10W J	
C89	NCB31HK-183X	C CAPACITOR	0.018uF 50V K		R31	NRSA63J-0R0X	MG RESISTOR	0Ω 1/10W J	
C90	NCB31HK-562X	C CAPACITOR	5600pF 50V K		R34	NRSA63J-0R0X	MG RESISTOR	0Ω 1/10W J	
C91	NCB31CK-104X	C CAPACITOR	0.1uF 16V K		R46	NRSA6AD-103W	MG RESISTOR	10kΩ 1/16W D	
C92	NCB21CK-105X	C CAPACITOR	1uF 16V K		R47	NRSA6AD-103W	MG RESISTOR	10kΩ 1/16W D	
C93	NCB21CK-105X	C CAPACITOR	1uF 16V K		R49	NRSA63J-0R0X	MG RESISTOR	0Ω 1/10W J	
C99	NCB31CK-104X	C CAPACITOR	0.1uF 16V K		R52	NRSA6AD-103W	MG RESISTOR	10kΩ 1/16W D	
C100	NCB31CK-684X	C CAPACITOR	0.68uF 16V K		R54	NRSA6AD-910W	MG RESISTOR	91Ω 1/16W D	
C101	NCB31CK-104X	C CAPACITOR	0.1uF 16V K		R55	NRSA6AD-910W	MG RESISTOR	91Ω 1/16W D	
C102	NCB31CK-684X	C CAPACITOR	0.68uF 16V K		R56	NRSA63D-432X	MG RESISTOR	4.3kΩ 1/16W D	
C106	NCB31CK-104X	C CAPACITOR	0.1uF 16V K		R57	NRSA63D-242X	MG RESISTOR	2.4kΩ 1/16W D	
C109	NCB21CK-105X	C CAPACITOR	1uF 16V K		R58	NRS125J-390X	MG RESISTOR	39Ω 1/2W J	
C113	NCB21CK-105X	C CAPACITOR	1uF 16V K		R59	NRSA63J-2R2X	MG RESISTOR	2.2Ω 1/16W J	
C117	NCB21CK-105X	C CAPACITOR	1uF 16V K		R60	NRSA6AD-102W	MG RESISTOR	1kΩ 1/16W D	
C118	NCB31HK-103X	C CAPACITOR	0.01uF 50V K		R61	NRSA6AD-471W	MG RESISTOR	470Ω 1/16W D	
C121	NCB31CK-104X	C CAPACITOR	0.1uF 16V K		R62	NRSA6AD-471W	MG RESISTOR	470Ω 1/16W D	
C122	NCB31CK-104X	C CAPACITOR	0.1uF 16V K		R64	NRSA63D-432X	MG RESISTOR	4.3kΩ 1/16W D	
C125	NCB31CK-104X	C CAPACITOR	0.1uF 16V K		R65	NRSA63D-242X	MG RESISTOR	2.4kΩ 1/16W D	
C126	NCB31CK-104X	C CAPACITOR	0.1uF 16V K		R66	NRS125J-120X	MG RESISTOR	12Ω 1/2W J	
C127	NCB31CK-104X	C CAPACITOR	0.1uF 16V K		R67	NRSA63J-2R2X	MG RESISTOR	2.2Ω 1/16W J	
C128	NCB31CK-104X	C CAPACITOR	0.1uF 16V K		R68	NRSA6AD-102W	MG RESISTOR	1kΩ 1/16W D	
C129	NCB31CK-104X	C CAPACITOR	0.1uF 16V K		R69	NRSA63J-471X	MG RESISTOR	470Ω 1/16W J	
C130	NCB31CK-104X	C CAPACITOR	0.1uF 16V K		R70	NRSA6AD-331W	MG RESISTOR	330Ω 1/16W D	
C131	NCB31CK-104X	C CAPACITOR	0.1uF 16V K		R77	NRSA02J-0R0X	MG RESISTOR	0Ω 1/10W J	
C132	NCB31CK-104X	C CAPACITOR	0.1uF 16V K		R79	NRSA6AD-104W	MG RESISTOR	100kΩ 1/16W D	
C133	NCB31CK-104X	C CAPACITOR	0.1uF 16V K		R92	NRSA63J-473X	MG RESISTOR	47kΩ 1/16W J	

△ Symbol No.	Part No.	Part Name	Description	Local	△ Symbol No.	Part No.	Part Name	Description	Local
R93	NRSA63J-203X	MG RESISTOR	20kΩ 1/16W J		R324	NRSA63D-682X	MG RESISTOR	6.8kΩ 1/16W D	
R94	NRSA63J-223X	MG RESISTOR	22kΩ 1/16W J		R325	NRSA63D-753X	MG RESISTOR	75kΩ 1/16W D	
R99	NRSA63J-0R0X	MG RESISTOR	0Ω 1/10W J		R329	NRS125J-R47X	MG RESISTOR	0.47Ω 1/2W J	
R100	NRSA6AD-103W	MG RESISTOR	10kΩ 1/16W D		R330	NRSA63J-0R0X	MG RESISTOR	0Ω 1/10W J	
R101	NRSA63J-0R0X	MG RESISTOR	0Ω 1/10W J		R352	NRSA6AD-102W	MG RESISTOR	1kΩ 1/16W D	
R104	NRSA63J-0R0X	MG RESISTOR	0Ω 1/10W J		R357	NRS125J-R22X	MG RESISTOR	0.22Ω 1/2W J	
R107	NRSA63J-152X	MG RESISTOR	1.5kΩ 1/16W J		R358	NRSA63J-0R0X	MG RESISTOR	0Ω 1/10W J	
R109	NRSA63J-0R0X	MG RESISTOR	0Ω 1/10W J		R359	NRSA6AD-243W	MG RESISTOR	24kΩ 1/16W D	
R112	NRSA63J-223X	MG RESISTOR	22kΩ 1/16W J		R362	NRSA63J-103X	MG RESISTOR	10kΩ 1/16W J	
R117	NRSA6AD-103W	MG RESISTOR	10kΩ 1/16W D		R364	NRSA63J-391X	MG RESISTOR	390Ω 1/16W J	
R120	NRSA63J-152X	MG RESISTOR	1.5kΩ 1/16W J		R365	NRSA6AD-103W	MG RESISTOR	10kΩ 1/16W D	
R122	NRSA6AD-103W	MG RESISTOR	10kΩ 1/16W D		R366	NRS125J-R22X	MG RESISTOR	0.22Ω 1/2W J	
R125	NRSA63J-120X	MG RESISTOR	12Ω 1/16W J		R367	NRSA6AD-104W	MG RESISTOR	100kΩ 1/16W D	
R126	NRSA63J-102X	MG RESISTOR	1kΩ 1/16W J		R369	NRS125J-R22X	MG RESISTOR	0.22Ω 1/2W J	
R128	NRSA6AD-270W	MG RESISTOR	27Ω 1/16W D		R371	NRSA63J-0R0X	MG RESISTOR	0Ω 1/10W J	
R129	NRSA6AD-103W	MG RESISTOR	10kΩ 1/16W D		R375	NRSA6AD-152W	MG RESISTOR	1.5kΩ 1/16W D	
R131	NRSA6AD-102W	MG RESISTOR	1kΩ 1/16W D		R376	NRSA6AD-822W	MG RESISTOR	8.2kΩ 1/16W D	
R132	NRSA6AD-102W	MG RESISTOR	1kΩ 1/16W D		R379	NRSA63D-332X	MG RESISTOR	3.3kΩ 1/16W D	
R133	NRSA6AD-223W	MG RESISTOR	22kΩ 1/16W D		R380	NRSA63J-223X	MG RESISTOR	22kΩ 1/16W J	
R135	NRSA63J-102X	MG RESISTOR	1kΩ 1/16W J		R382	NRSA6AD-102W	MG RESISTOR	1kΩ 1/16W D	
R137	NRSA63J-0R0X	MG RESISTOR	0Ω 1/10W J		R383	NRSA63J-223X	MG RESISTOR	22kΩ 1/16W J	
R139	NRSA63J-0R0X	MG RESISTOR	0Ω 1/10W J		R384	NRSA6AD-104W	MG RESISTOR	100kΩ 1/16W D	
R141	NRSA63D-332X	MG RESISTOR	3.3kΩ 1/16W D		R386	NRSA6AD-184W	MG RESISTOR	180kΩ 1/16W D	
R142	NRSA63J-0R0X	MG RESISTOR	0Ω 1/10W J		R387	NRSA63D-473X	MG RESISTOR	47kΩ 1/16W D	
R143	NRSA6AD-101W	MG RESISTOR	100Ω 1/16W D		R391	NRSA6AD-822W	MG RESISTOR	8.2kΩ 1/16W D	
R144	NRSA6AD-103W	MG RESISTOR	10kΩ 1/16W D		R392	NRSA63J-103X	MG RESISTOR	10kΩ 1/16W J	
R145	NRSA6AD-103W	MG RESISTOR	10kΩ 1/16W D		R393	NRSA6AD-103W	MG RESISTOR	10kΩ 1/16W D	
R147	NRSA63J-104X	MG RESISTOR	100kΩ 1/16W J		R394	NRSA63J-273X	MG RESISTOR	27kΩ 1/16W J	
R152	NRSA63J-0R0X	MG RESISTOR	0Ω 1/10W J		R397	NRSA6AD-101W	MG RESISTOR	100Ω 1/16W D	
R153	NRSA63D-162X	MG RESISTOR	1.6kΩ 1/16W D		R400	NRSA6AD-153W	MG RESISTOR	15kΩ 1/16W D	
R155	NRSA63J-0R0X	MG RESISTOR	0Ω 1/10W J		R402	NRSA6AD-473W	MG RESISTOR	47kΩ 1/16W D	
R156	NRSA63J-0R0X	MG RESISTOR	0Ω 1/10W J		R403	NRSA63J-101X	MG RESISTOR	100Ω 1/16W J	
R160	NRSA63D-303X	MG RESISTOR	30kΩ 1/16W D		R406	NRS125J-R22X	MG RESISTOR	0.22Ω 1/2W J	
R163	NRSA6AD-103W	MG RESISTOR	10kΩ 1/16W D		R417	NRSA63J-183X	MG RESISTOR	18kΩ 1/16W J	
R164	NRSA63J-181X	MG RESISTOR	180Ω 1/16W J		R419	NRSA63D-104X	MG RESISTOR	100kΩ 1/16W D	
R165	NRSA6AD-473W	MG RESISTOR	47kΩ 1/16W D		R420	NRSA6AD-184W	MG RESISTOR	180kΩ 1/16W D	
R166	NRSA6AD-473W	MG RESISTOR	47kΩ 1/16W D		L302	NQLA3GK-100X	COIL	10uH K	
R167	NRSA6AD-473W	MG RESISTOR	47kΩ 1/16W D		L303	NQLA3GK-100X	COIL	10uH K	
R168	NRSA6AD-473W	MG RESISTOR	47kΩ 1/16W D		CN1	QGF0523F3-20W	CONNECTOR	FFC/FPC (1-20)	
R170	NRSA6AD-471W	MG RESISTOR	470Ω 1/16W D		CN2	QGA1002F1-03X	CONNECTOR	W-B (1-3)	
R171	NRSA63J-105X	MG RESISTOR	1MΩ 1/16W J		CN101	QGF0522F2-26W	CONNECTOR	FFC/FPC (1-26)	
R172	NRSA6AD-101W	MG RESISTOR	100Ω 1/16W D		CN403	QGF0534F3-50X	CONNECTOR	FFC/FPC (1-50)	
R173	NRSA6AD-101W	MG RESISTOR	100Ω 1/16W D		K101	NQR0007-002X	FERRITE BEADS		
R174	NRSA6AD-101W	MG RESISTOR	100Ω 1/16W D		K102	NQR0007-002X	FERRITE BEADS		
R177	NRSA63J-0R0X	MG RESISTOR	0Ω 1/10W J		K103	NQR0502-001X	FERRITE BEADS		
R178	NRSA63J-0R0X	MG RESISTOR	0Ω 1/10W J		K108	NQR0129-002X	FERRITE BEADS		
R181	NQR0129-002X	FERRITE BEADS			K113	NQR0502-001X	FERRITE BEADS		
R183	NRSA63J-0R0X	MG RESISTOR	0Ω 1/10W J		K114	NRSA63J-0R0X	MG RESISTOR	0Ω 1/10W J	
R184	NRSA63J-0R0X	MG RESISTOR	0Ω 1/10W J		K115	NRSA63J-0R0X	MG RESISTOR	0Ω 1/10W J	
R189	NRSA6AD-331W	MG RESISTOR	330Ω 1/16W D		K117	NRSA63J-0R0X	MG RESISTOR	0Ω 1/10W J	
R190	NRSA6AD-331W	MG RESISTOR	330Ω 1/16W D		K118	NRSA63J-0R0X	MG RESISTOR	0Ω 1/10W J	
R195	NRSA6AD-103W	MG RESISTOR	10kΩ 1/16W D		K119	NRSA63J-0R0X	MG RESISTOR	0Ω 1/10W J	
R201	NRSA63J-102X	MG RESISTOR	1kΩ 1/16W J		K120	NRSA63J-0R0X	MG RESISTOR	0Ω 1/10W J	
R205	NRSA6AD-103W	MG RESISTOR	10kΩ 1/16W D		K121	NQL093K-1R8X	P COIL	1.8uH K	
R211	NRSA6AD-473W	MG RESISTOR	47kΩ 1/16W D		K131	NQR0022-005X	FERRITE BEADS		
R213	NRSA63J-100X	MG RESISTOR	10Ω 1/16W J		K132	NQR0022-005X	FERRITE BEADS		
R214	NRSA63J-0R0X	MG RESISTOR	0Ω 1/10W J		K133	NQR0022-005X	FERRITE BEADS		
R215	NRSA63D-122X	MG RESISTOR	1.2kΩ 1/16W D		K135	NRSA63J-0R0X	MG RESISTOR	0Ω 1/10W J	
R216	NRSA63D-122X	MG RESISTOR	1.2kΩ 1/16W D		K136	NRSA63J-0R0X	MG RESISTOR	0Ω 1/10W J	
R217	NRSA6AD-100W	MG RESISTOR	10Ω 1/16W D		K137	NRSA63J-0R0X	MG RESISTOR	0Ω 1/10W J	
R218	NRSA63J-0R0X	MG RESISTOR	0Ω 1/10W J		K141	NRSA63J-0R0X	MG RESISTOR	0Ω 1/10W J	
R220	NRSA63J-0R0X	MG RESISTOR	0Ω 1/10W J		K142	NRSA63J-0R0X	MG RESISTOR	0Ω 1/10W J	
R223	NRSA63J-4R7X	MG RESISTOR	4.7Ω 1/16W J		S1	NSW0313-001X	DETECT SWITCH		
R226	NRSA6AD-473W	MG RESISTOR	47kΩ 1/16W D		TH491	NAD0025-103X	N THERMISTOR	10kΩ	
R227	NRSA63J-222X	MG RESISTOR	2.2kΩ 1/16W J		X351	NAX0741-001X	CRYSTAL	27.000MHz	
R228	NRSA63J-103X	MG RESISTOR	10kΩ 1/16W J						
R229	NRSA63J-0R0X	MG RESISTOR	0Ω 1/10W J						
R233	NRSA6AD-103W	MG RESISTOR	10kΩ 1/16W D						
R264	NRSA63J-0R0X	MG RESISTOR	0Ω 1/10W J						
R265	NRSA6AD-103W	MG RESISTOR	10kΩ 1/16W D						
R267	NRSA63D-472X	MG RESISTOR	4.7kΩ 1/16W D						
R268	NRSA63J-0R0X	MG RESISTOR	0Ω 1/10W J						
R309	NRS125J-R47X	MG RESISTOR	0.47Ω 1/2W J						
R310	NRSA6AD-333W	MG RESISTOR	33kΩ 1/16W D						
R311	NRSA63J-391X	MG RESISTOR	390Ω 1/16W J						
R318	NRSA63J-203X	MG RESISTOR	20kΩ 1/16W J						
R319	NRSA6AD-622W	MG RESISTOR	6.2kΩ 1/16W D						
R323	NRSA6AD-391W	MG RESISTOR	390Ω 1/16W D						

# Main board

Block No. [0][6]

Symbol No.	Part No.	Part Name	Description	Local
IC201	JVM4224	IC(MCU)		
IC202	S-80828CNNB-G-W	IC		
IC203	M24C32-RMN6-X	IC(EEPROM)		
IC204	NJM2871BF33-X	IC		
IC205	TC74LVX4053FT-X	IC(DIGITAL)		B
IC211	TEF6606T/V3-X	IC1		
IC212	LC72725KM-X	IC		B
IC221	TEF6606T/V3-X	IC1		B
IC222	LC72725KM-X	IC		B
IC231	TC74HCT4053AFTX	IC		A
IC232	TDA7416	IC		
IC233	TB2926CHQ	IC		
IC241	BA00CC0WFP-X	IC		
IC242	NJM2871BF33-X	IC		
IC251	RSQ030P03-W	MOS FET		
IC261	NJM2871BF05-X	IC		B
IC291	R2S25400DS-E	IC		
IC484	NAL0066-001X	GYRO SENSOR		B
Q2001	RT1N441C-X	TRANSISTOR		
Q2001	or UN2213-X	DIGI TRANSISTOR		
Q2201	3SK195-W	TRANSISTOR		B
Q2301	RT1N141C-X	DIGI TRANSISTOR		
Q2302	2SC1623A/5-6/-X	TRANSISTOR		
Q2303	2SD2114K/VW/-X	TRANSISTOR		
Q2304	2SD2114K/VW/-X	TRANSISTOR		
Q2305	2SD2114K/VW/-X	TRANSISTOR		
Q2306	2SD2114K/VW/-X	TRANSISTOR		
Q2307	2SD2114K/VW/-X	TRANSISTOR		
Q2308	RT1N441C-X	TRANSISTOR		
Q2501	RT1N441C-X	TRANSISTOR		
Q2501	or UN2213-X	DIGI TRANSISTOR		
Q2502	RT1N141C-X	DIGI TRANSISTOR		
Q2503	RT1P141C-X	DIGI TRANSISTOR		
Q2504	RT1N141C-X	DIGI TRANSISTOR		
Q2505	RT1N441C-X	TRANSISTOR		
Q2505	or UN2213-X	DIGI TRANSISTOR		
Q2506	RT1N441C-X	TRANSISTOR		
Q2506	or UN2213-X	DIGI TRANSISTOR		
Q2507	2SA812A/5-6/-X	TRANSISTOR		
Q2508	2SA812A/5-6/-X	TRANSISTOR		
Q2509	2SA812A/5-6/-X	TRANSISTOR		
Q2510	2SC1623A/5-6/-X	TRANSISTOR		
Q2511	RT1N141C-X	DIGI TRANSISTOR		
Q2512	RT1N141C-X	DIGI TRANSISTOR		
Q2513	RT1N141C-X	DIGI TRANSISTOR		
Q2514	RT1N141C-X	DIGI TRANSISTOR		
Q2515	2SA812A/5-6/-X	TRANSISTOR		
Q2516	RT1N141C-X	DIGI TRANSISTOR		
Q2901	RT1N141C-X	DIGI TRANSISTOR		
Q2902	RT1P141C-X	DIGI TRANSISTOR		
Q2903	RT1N141C-X	DIGI TRANSISTOR		A
Q2904	RT1P141C-X	DIGI TRANSISTOR		A
Q2905	2SA812A/5-6/-X	TRANSISTOR		
D2103	MA111-X	SI DIODE		
D2201	MA111-X	SI DIODE		
D2202	MA111-X	SI DIODE		
D2301	MC2836-X	DIODE		
D2302	MC2836-X	DIODE		
D2401	MA8062/M/-X	Z DIODE		
D2402	MA8062/M/-X	Z DIODE		
D2501	MA22D39-X	SB DIODE		
D2503	MA8110/L/-X	Z DIODE		
D2504	MA111-X	SI DIODE		
D2505	MC2836-X	DIODE		
D2506	MA111-X	SI DIODE		
D2507	MA111-X	SI DIODE		
D2801	MA111-X	SI DIODE		
D2802	MA22D39-X	SB DIODE		
D2901	1N5401-04	SI DIODE		
D2902	MA22D39-X	SB DIODE		A
D2903	MA22D39-X	SB DIODE		A
D2904	MA22D39-X	SB DIODE		

Symbol No.	Part No.	Part Name	Description	Local
D2905	MA22D39-X	SB DIODE		
C2001	NCB31CK-104X	C CAPACITOR	0.1uF 16V K	
C2002	NCB31HK-103X	C CAPACITOR	0.01uF 50V K	
C2003	NCB31CK-104X	C CAPACITOR	0.1uF 16V K	
C2101	NDC31HJ-150X	C CAPACITOR	15pF 50V J	
C2102	NDC31HJ-220X	C CAPACITOR	22pF 50V J	
C2103	NCB31HK-102X	C CAPACITOR	1000pF 50V K	A
C2103	NCB31HK-104X	C CAPACITOR	0.1uF 50V K	B
C2104	NDC31HJ-7R0X	C CAPACITOR	7pF 50V J	
C2105	NDC31HJ-6R0X	C CAPACITOR	6pF 50V J	
C2106	NDC31HJ-2R0X	C CAPACITOR	2pF 50V J	
C2107	NCB31HK-104X	C CAPACITOR	0.1uF 50V K	
C2108	NCB31CK-224X	C CAPACITOR	0.22uF 16V K	
C2109	NCB31CK-105X	C CAPACITOR	1uF 16V K	
C2110	NCB31HK-103X	C CAPACITOR	0.01uF 50V K	
C2111	NCB31HK-103X	C CAPACITOR	0.01uF 50V K	
C2112	NCB31HK-104X	C CAPACITOR	0.1uF 50V K	
C2113	NCB31HK-103X	C CAPACITOR	0.01uF 50V K	
C2114	NCB31HK-103X	C CAPACITOR	0.01uF 50V K	
C2115	NCB31HK-104X	C CAPACITOR	0.1uF 50V K	
C2116	NCB31CK-105X	C CAPACITOR	1uF 16V K	
C2117	NCB31HK-104X	C CAPACITOR	0.1uF 50V K	
C2118	QETN1HM-106Z	E CAPACITOR	10uF 50V M	
C2119	NCB31CK-224X	C CAPACITOR	0.22uF 16V K	
C2120	NCB31CK-105X	C CAPACITOR	1uF 16V K	
C2121	NCB31CK-105X	C CAPACITOR	1uF 16V K	
C2122	NCB31CK-224X	C CAPACITOR	0.22uF 16V K	
C2123	NCB31HK-104X	C CAPACITOR	0.1uF 50V K	
C2124	NDC31HJ-150X	C CAPACITOR	15pF 50V J	
C2125	NCB31CK-224X	C CAPACITOR	0.22uF 16V K	B
C2126	NDC31HJ-561X	C CAPACITOR	560pF 50V J	B
C2127	NCB31HK-103X	C CAPACITOR	0.01uF 50V K	B
C2128	NCJ11EK-106X-A	C CAPACITOR	10uF 25V K	B
C2129	NCB31HK-103X	C CAPACITOR	0.01uF 50V K	B
C2130	QETN1HM-226Z	E CAPACITOR	22uF 50V M	B
C2131	NDC31HJ-330X	C CAPACITOR	33pF 50V J	B
C2132	NDC31HJ-330X	C CAPACITOR	33pF 50V J	B
C2133	NCB31HK-102X	C CAPACITOR	1000pF 50V K	B
C2136	NDC31HJ-101X	C CAPACITOR	100pF 50V J	
C2137	NDC31HJ-101X	C CAPACITOR	100pF 50V J	
C2138	NDC31HJ-101X	C CAPACITOR	100pF 50V J	
C2201	NDC31HJ-330X	C CAPACITOR	33pF 50V J	
C2202	NDC31HJ-330X	C CAPACITOR	33pF 50V J	
C2203	NCB31HK-103X	C CAPACITOR	0.01uF 50V K	B
C2204	NDC31HJ-120X	C CAPACITOR	12pF 50V J	B
C2205	NDC31HJ-220X	C CAPACITOR	22pF 50V J	B
C2206	NCB31HK-103X	C CAPACITOR	0.01uF 50V K	B
C2207	NCB31HK-104X	C CAPACITOR	0.1uF 50V K	B
C2208	NCB31HK-103X	C CAPACITOR	0.01uF 50V K	B
C2209	NCB31HK-103X	C CAPACITOR	0.01uF 50V K	B
C2210	NCB31HK-104X	C CAPACITOR	0.1uF 50V K	B
C2211	NCB31CK-105X	C CAPACITOR	1uF 16V K	B
C2212	NCB31HK-104X	C CAPACITOR	0.1uF 50V K	B
C2213	QETN1HM-106Z	E CAPACITOR	10uF 50V M	B
C2214	NCB31CK-224X	C CAPACITOR	0.22uF 16V K	B
C2215	NCB31HK-104X	C CAPACITOR	0.1uF 50V K	B
C2216	NDC31HJ-150X	C CAPACITOR	15pF 50V J	B
C2217	NCB31CK-224X	C CAPACITOR	0.22uF 16V K	B
C2218	NDC31HJ-561X	C CAPACITOR	560pF 50V J	B
C2219	NCB31HK-103X	C CAPACITOR	0.01uF 50V K	B
C2220	NCJ11EK-106X-A	C CAPACITOR	10uF 25V K	B
C2221	NCB31HK-103X	C CAPACITOR	0.01uF 50V K	B
C2225	NCB31HK-102X	C CAPACITOR	1000pF 50V K	B
C2229	NDC31HJ-101X	C CAPACITOR	100pF 50V J	
C2301	NDC31HJ-101X	C CAPACITOR	100pF 50V J	
C2302	QETN1HM-226Z	E CAPACITOR	22uF 50V M	
C2303	NCB31CK-105X	C CAPACITOR	1uF 16V K	A
C2304	NCB31CK-105X	C CAPACITOR	1uF 16V K	A
C2305	QETN1CM-107Z	E CAPACITOR	100uF 16V M	
C2309	QETN1HM-226Z	E CAPACITOR	22uF 50V M	
C2310	QFV91HJ-474Z	MF CAPACITOR	0.47uF 50V J	
C2311	QFV91HJ-474Z	MF CAPACITOR	0.47uF 50V J	
C2312	NCB31CK-105X	C CAPACITOR	1uF 16V K	
C2313	NCB31CK-105X	C CAPACITOR	1uF 16V K	
C2314	NCB31CK-105X	C CAPACITOR	1uF 16V K	
C2315	NCB31CK-105X	C CAPACITOR	1uF 16V K	
C2316	NCB31CK-105X	C CAPACITOR	1uF 16V K	

△ Symbol No.	Part No.	Part Name	Description	Local	△ Symbol No.	Part No.	Part Name	Description	Local
C2317	QETN1CM-107Z	E CAPACITOR	100uF 16V M		C2503	NCB11EK-105X	C CAPACITOR	1uF 25V K	
C2320	QFN31HJ-473Z	M CAPACITOR	0.047uF 50V J		C2504	NCB31AK-105X	C CAPACITOR	1uF 10V K	
C2321	NCB31HK-563X	C CAPACITOR	0.056uF 50V K		C2505	QETN1CM-107Z	E CAPACITOR	100uF 16V M	
C2322	NCB31HK-104X	C CAPACITOR	0.1uF 50V K		C2506	QETN1CM-107Z	E CAPACITOR	100uF 16V M	
C2323	QFV91HJ-474Z	MF CAPACITOR	0.47uF 50V J		C2507	QETN1HM-226Z	E CAPACITOR	22uF 50V M	
C2324	QFV91HJ-474Z	MF CAPACITOR	0.47uF 50V J		C2508	NCB31CK-105X	C CAPACITOR	1uF 16V K	
C2325	QFV91HJ-474Z	MF CAPACITOR	0.47uF 50V J		C2509	NDC31HJ-101X	C CAPACITOR	100pF 50V J	
C2326	QFV91HJ-474Z	MF CAPACITOR	0.47uF 50V J		C2510	NCB31CK-105X	C CAPACITOR	1uF 16V K	
C2327	NDC31HJ-470X	C CAPACITOR	47pF 50V J		C2511	NCB31CK-105X	C CAPACITOR	1uF 16V K	
C2328	NDC31HJ-470X	C CAPACITOR	47pF 50V J		C2512	NCB31CK-105X	C CAPACITOR	1uF 16V K	
C2329	NDC31HJ-470X	C CAPACITOR	47pF 50V J		C2601	QETN1HM-106Z	E CAPACITOR	10uF 50V M	B
C2330	NDC31HJ-470X	C CAPACITOR	47pF 50V J		C2602	QETN1CM-107Z	E CAPACITOR	100uF 16V M	B
C2331	QETN1HM-226Z	E CAPACITOR	22uF 50V M		C2603	NCB31CK-105X	C CAPACITOR	1uF 16V K	B
C2332	NDC31HJ-471X	C CAPACITOR	470pF 50V J		C2604	NCB31HK-103X	C CAPACITOR	0.01uF 50V K	B
C2333	QETN1EM-476Z	E CAPACITOR	47uF 25V M		C2801	NCB31EK-473X	C CAPACITOR	0.047uF 25V K	
C2334	QEKJ1HM-225Z	E CAPACITOR	2.2uF 50V M		C2802	QETN1EM-476Z	E CAPACITOR	47uF 25V M	
C2335	QETN1HM-106Z	E CAPACITOR	10uF 50V M		C2803	NDC31HJ-220X	C CAPACITOR	22pF 50V J	
C2336	QFN31HJ-104Z	M CAPACITOR	0.1uF 50V J		C2804	NDC31HJ-220X	C CAPACITOR	22pF 50V J	
C2337	NCB31HK-104X	C CAPACITOR	0.1uF 50V K		C2805	NDC31HJ-120X	C CAPACITOR	12pF 50V J	
C2338	NDC31HJ-101X	C CAPACITOR	100pF 50V J		C2806	NDC31HJ-100X	C CAPACITOR	10pF 50V J	
C2339	QEKJ1HM-225Z	E CAPACITOR	2.2uF 50V M		C2807	NCB31CK-104X	C CAPACITOR	0.1uF 16V K	
C2340	NDC31HJ-101X	C CAPACITOR	100pF 50V J		C2808	QETN1AM-227Z	E CAPACITOR	220uF 10V M	
C2341	NDC31HJ-101X	C CAPACITOR	100pF 50V J		C2809	QETN1CM-107Z	E CAPACITOR	100uF 16V M	
C2342	NDC31HJ-101X	C CAPACITOR	100pF 50V J		C2810	QETN0JM-108Z	E CAPACITOR	1000uF 6.3V M	
C2343	NDC31HJ-101X	C CAPACITOR	100pF 50V J		C2811	QETN1AM-227Z	E CAPACITOR	220uF 10V M	
C2344	NDC31HJ-101X	C CAPACITOR	100pF 50V J		C2812	NCB31CK-104X	C CAPACITOR	0.1uF 16V K	
C2345	NDC31HJ-101X	C CAPACITOR	100pF 50V J		C2813	NCB31HK-103X	C CAPACITOR	0.01uF 50V K	
C2346	NDC31HJ-101X	C CAPACITOR	100pF 50V J		C2814	NCB31CK-104X	C CAPACITOR	0.1uF 16V K	B
C2347	NDC31HJ-101X	C CAPACITOR	100pF 50V J		C2815	NCB31EK-473X	C CAPACITOR	0.047uF 25V K	
C2348	QETN1HM-106Z	E CAPACITOR	10uF 50V M		C2816	NCB31CK-104X	C CAPACITOR	0.1uF 16V K	
C2349	QEKJ1HM-475Z	E CAPACITOR	4.7uF 50V M		C2817	NDC31HJ-222X	C CAPACITOR	2200pF 50V J	B
C2350	QEKJ1HM-475Z	E CAPACITOR	4.7uF 50V M		C2818	NCB31CK-104X	C CAPACITOR	0.1uF 16V K	
C2351	QEKJ1HM-475Z	E CAPACITOR	4.7uF 50V M		C2819	NCB31CK-104X	C CAPACITOR	0.1uF 16V K	
C2352	QEKJ1HM-475Z	E CAPACITOR	4.7uF 50V M		C2901	QEZ0870-278	E CAPACITOR	2700uF	
C2353	NDC31HJ-101X	C CAPACITOR	100pF 50V J		C2902	QEKJ1HM-225Z	E CAPACITOR	2.2uF 50V M	
C2354	NDC31HJ-101X	C CAPACITOR	100pF 50V J		C2903	QETN1EM-476Z	E CAPACITOR	47uF 25V M	
C2355	NDC31HJ-101X	C CAPACITOR	100pF 50V J		C2904	QETN1HM-106Z	E CAPACITOR	10uF 50V M	
C2356	NDC31HJ-101X	C CAPACITOR	100pF 50V J		C2905	QETN1EM-476Z	E CAPACITOR	47uF 25V M	
C2357	NCB31HK-223X	C CAPACITOR	0.022uF 50V K		C2906	QETN1CM-107Z	E CAPACITOR	100uF 16V M	
C2360	NDC31HJ-470X	C CAPACITOR	47pF 50V J		C2907	NCB31CK-104X	C CAPACITOR	0.1uF 16V K	
C2362	NDC31HJ-101X	C CAPACITOR	100pF 50V J		C2908	NCB31CK-104X	C CAPACITOR	0.1uF 16V K	
C2363	NDC31HJ-101X	C CAPACITOR	100pF 50V J		C2909	QETN1HM-106Z	E CAPACITOR	10uF 50V M	
C2364	NDC31HJ-101X	C CAPACITOR	100pF 50V J		C2910	NCB31EK-104X	C CAPACITOR	0.1uF 25V K	A
C2365	NDC31HJ-470X	C CAPACITOR	47pF 50V J		C2911	QETN1HM-106Z	E CAPACITOR	10uF 50V M	
C2366	NDC31HJ-470X	C CAPACITOR	47pF 50V J		C2912	NCB31EK-104X	C CAPACITOR	0.1uF 25V K	A
C2367	NDC31HJ-470X	C CAPACITOR	47pF 50V J		C2913	NCB31EK-104X	C CAPACITOR	0.1uF 25V K	
C2368	NDC31HJ-470X	C CAPACITOR	47pF 50V J		C2914	QETN1CM-108Z	E CAPACITOR	1000uF 16V M	
C2369	NDC31HJ-470X	C CAPACITOR	47pF 50V J		C2921	NDC31HJ-470X	C CAPACITOR	47pF 50V J	
C2370	NDC31HJ-470X	C CAPACITOR	47pF 50V J		C2923	NDC31HJ-470X	C CAPACITOR	47pF 50V J	
C2371	NDC31HJ-470X	C CAPACITOR	47pF 50V J		C2925	NDC31HJ-470X	C CAPACITOR	47pF 50V J	
C2372	NDC31HJ-470X	C CAPACITOR	47pF 50V J		C2928	QEKJ1HM-225Z	E CAPACITOR	2.2uF 50V M	
C2373	NDC31HJ-470X	C CAPACITOR	47pF 50V J		C2931	NDC31HJ-470X	C CAPACITOR	47pF 50V J	
C2374	NDC31HJ-470X	C CAPACITOR	47pF 50V J		C2933	NDC31HJ-470X	C CAPACITOR	47pF 50V J	
C2375	NDC31HJ-470X	C CAPACITOR	47pF 50V J		C2934	NDC31HJ-470X	C CAPACITOR	47pF 50V J	
C2376	NDC31HJ-470X	C CAPACITOR	47pF 50V J		C2937	NDC31HJ-470X	C CAPACITOR	47pF 50V J	
C2377	NDC31HJ-101X	C CAPACITOR	100pF 50V J		C2938	NDC31HJ-470X	C CAPACITOR	47pF 50V J	
C2378	NDC31HJ-101X	C CAPACITOR	100pF 50V J		C2941	NDC31HJ-470X	C CAPACITOR	47pF 50V J	
C2379	NDC31HJ-101X	C CAPACITOR	100pF 50V J		C2943	NDC31HJ-470X	C CAPACITOR	47pF 50V J	
C2380	NDC31HJ-101X	C CAPACITOR	100pF 50V J		C2945	NDC31HJ-470X	C CAPACITOR	47pF 50V J	
C2381	NDC31HJ-101X	C CAPACITOR	100pF 50V J		C2947	NDC31HJ-470X	C CAPACITOR	47pF 50V J	
C2382	NDC31HJ-101X	C CAPACITOR	100pF 50V J		C2949	NDC31HJ-470X	C CAPACITOR	47pF 50V J	
C2383	NDC31HJ-101X	C CAPACITOR	100pF 50V J		C4841	NCB31CK-104X	C CAPACITOR	0.1uF 16V K	B
C2384	NDC31HJ-101X	C CAPACITOR	100pF 50V J		C4842	NDC31HJ-101X	C CAPACITOR	100pF 50V J	B
C2385	NDC31HJ-101X	C CAPACITOR	100pF 50V J						
C2386	NDC31HJ-101X	C CAPACITOR	100pF 50V J		R2001	NRSA63J-101X	MG RESISTOR	100Ω 1/16W J	
C2387	NDC31HJ-470X	C CAPACITOR	47pF 50V J		R2002	NRSA63J-102X	MG RESISTOR	1kΩ 1/16W J	
C2388	NDC31HJ-470X	C CAPACITOR	47pF 50V J		R2003	NRSA63J-102X	MG RESISTOR	1kΩ 1/16W J	
C2389	NDC31HJ-470X	C CAPACITOR	47pF 50V J		R2004	NRSA63J-101X	MG RESISTOR	100Ω 1/16W J	
C2390	NDC31HJ-470X	C CAPACITOR	47pF 50V J		R2005	NRSA63J-102X	MG RESISTOR	1kΩ 1/16W J	
C2401	NDC31HJ-471X	C CAPACITOR	470pF 50V J		R2006	NRSA63J-101X	MG RESISTOR	100Ω 1/16W J	
C2402	QETN1EM-476Z	E CAPACITOR	47uF 25V M		R2007	NRSA63J-472X	MG RESISTOR	4.7kΩ 1/16W J	
C2403	NDC31HJ-471X	C CAPACITOR	470pF 50V J		R2008	NRSA63J-101X	MG RESISTOR	100Ω 1/16W J	
C2404	QETN1EM-476Z	E CAPACITOR	47uF 25V M		R2009	NRSA63J-101X	MG RESISTOR	100Ω 1/16W J	
C2405	QETN1HM-106Z	E CAPACITOR	10uF 50V M		R2010	NRSA63J-472X	MG RESISTOR	4.7kΩ 1/16W J	
C2406	NCB31HK-104X	C CAPACITOR	0.1uF 50V K		R2011	NRSA63J-472X	MG RESISTOR	4.7kΩ 1/16W J	
C2407	NCB31CK-104X	C CAPACITOR	0.1uF 16V K		R2012	NRSA63J-102X	MG RESISTOR	1kΩ 1/16W J	
C2408	NCB31HK-103X	C CAPACITOR	0.01uF 50V K		R2013	NRSA63J-102X	MG RESISTOR	1kΩ 1/16W J	
C2409	NCB31CK-104X	C CAPACITOR	0.1uF 16V K		R2014	NRSA63J-102X	MG RESISTOR	1kΩ 1/16W J	





△ Symbol No.	Part No.	Part Name	Description	Local	△ Symbol No.	Part No.	Part Name	Description	Local
R2504	NRSA63J-0R0X	MG RESISTOR	0Ω 1/10W J		R2818	NRSA63J-472X	MG RESISTOR	4.7kΩ 1/16W J	
R2505	NRSA63J-332X	MG RESISTOR	3.3kΩ 1/16W J		R2819	NRSA63J-103X	MG RESISTOR	10kΩ 1/16W J	A
R2506	NRSA63J-332X	MG RESISTOR	3.3kΩ 1/16W J		R2820	NRSA63J-103X	MG RESISTOR	10kΩ 1/16W J	A
R2507	NRSA63J-473X	MG RESISTOR	47kΩ 1/16W J		R2821	NRSA63J-103X	MG RESISTOR	10kΩ 1/16W J	
R2508	NRSA63J-273X	MG RESISTOR	27kΩ 1/16W J		R2822	NRSA63J-104X	MG RESISTOR	100kΩ 1/16W J	
R2509	NRSA63J-103X	MG RESISTOR	10kΩ 1/16W J		R2823	NRSA63J-273X	MG RESISTOR	27kΩ 1/16W J	
R2510	NRSA63J-224X	MG RESISTOR	220kΩ 1/16W J		R2824	NRSA63J-473X	MG RESISTOR	47kΩ 1/16W J	
R2511	NRSA63J-224X	MG RESISTOR	220kΩ 1/16W J		R2825	NRSA63J-103X	MG RESISTOR	10kΩ 1/16W J	A
R2512	NRSA63J-101X	MG RESISTOR	100Ω 1/16W J		R2826	NRSA63J-103X	MG RESISTOR	10kΩ 1/16W J	A
R2513	NRSA63J-101X	MG RESISTOR	100Ω 1/16W J		R2827	NRSA63J-103X	MG RESISTOR	10kΩ 1/16W J	
R2514	NRSA63J-101X	MG RESISTOR	100Ω 1/16W J		R2828	NRSA63J-101X	MG RESISTOR	100Ω 1/16W J	
R2515	NRSA63J-101X	MG RESISTOR	100Ω 1/16W J		R2829	NRSA63J-101X	MG RESISTOR	100Ω 1/16W J	
R2516	NRSA63J-101X	MG RESISTOR	100Ω 1/16W J		R2830	NRSA63J-473X	MG RESISTOR	47kΩ 1/16W J	
R2517	NRSA63J-101X	MG RESISTOR	100Ω 1/16W J		R2831	NRSA63J-472X	MG RESISTOR	4.7kΩ 1/16W J	
R2518	NRSA63J-101X	MG RESISTOR	100Ω 1/16W J		R2832	NRSA63J-472X	MG RESISTOR	4.7kΩ 1/16W J	
R2519	NRSA63J-101X	MG RESISTOR	100Ω 1/16W J		R2833	NRSA63J-472X	MG RESISTOR	4.7kΩ 1/16W J	
R2520	NRSA63J-101X	MG RESISTOR	100Ω 1/16W J		R2834	NRSA63J-472X	MG RESISTOR	4.7kΩ 1/16W J	
R2521	NRSA63J-101X	MG RESISTOR	100Ω 1/16W J		R2835	NRSA63J-822X	MG RESISTOR	8.2kΩ 1/16W J	
R2522	NRSA63J-101X	MG RESISTOR	100Ω 1/16W J		R2836	NRSA63D-472X	MG RESISTOR	4.7kΩ 1/16W D	
R2523	NRSA63J-101X	MG RESISTOR	100Ω 1/16W J	B	R2837	NRSA63D-472X	MG RESISTOR	4.7kΩ 1/16W D	
R2524	NRSA63J-101X	MG RESISTOR	100Ω 1/16W J		R2838	NRSA63D-472X	MG RESISTOR	4.7kΩ 1/16W D	B
R2525	NRSA63J-101X	MG RESISTOR	100Ω 1/16W J		R2839	NRSA63D-243X	MG RESISTOR	24kΩ 1/16W D	
R2526	NRSA63J-101X	MG RESISTOR	100Ω 1/16W J		R2840	NRSA63D-104X	MG RESISTOR	100kΩ 1/16W D	
R2527	NRSA63J-101X	MG RESISTOR	100Ω 1/16W J		R2843	NRSA63J-472X	MG RESISTOR	4.7kΩ 1/16W J	
R2528	NRSA63J-101X	MG RESISTOR	100Ω 1/16W J		R2844	NRSA63J-333X	MG RESISTOR	33kΩ 1/16W J	A
R2529	NRSA63J-101X	MG RESISTOR	100Ω 1/16W J		R2844	NRSA63J-153X	MG RESISTOR	15kΩ 1/16W J	B
R2530	NRSA63J-101X	MG RESISTOR	100Ω 1/16W J		R2901	NRSA63J-103X	MG RESISTOR	10kΩ 1/16W J	
R2531	NRSA63J-101X	MG RESISTOR	100Ω 1/16W J		R2902	NRSA63J-472X	MG RESISTOR	4.7kΩ 1/16W J	
R2532	NRSA63J-101X	MG RESISTOR	100Ω 1/16W J		R2903	NRSA63J-203X	MG RESISTOR	20kΩ 1/16W J	
R2533	NRSA63J-101X	MG RESISTOR	100Ω 1/16W J		R2904	NRSA63J-473X	MG RESISTOR	47kΩ 1/16W J	
R2534	NRSA63J-101X	MG RESISTOR	100Ω 1/16W J		R2905	NRSA63J-153X	MG RESISTOR	15kΩ 1/16W J	
R2535	NRSA63J-101X	MG RESISTOR	100Ω 1/16W J		R2906	NRSA63J-473X	MG RESISTOR	47kΩ 1/16W J	
R2536	NRSA63J-101X	MG RESISTOR	100Ω 1/16W J		R2907	NRS181J-472X	MG RESISTOR	4.7kΩ 1/8W J	A
R2537	NRSA63J-101X	MG RESISTOR	100Ω 1/16W J		R2909	NRS181J-332X	MG RESISTOR	3.3kΩ 1/8W J	
R2538	NRSA63J-101X	MG RESISTOR	100Ω 1/16W J		L2101	NQL093K-R22X	COIL	0.22uH K	
R2539	NRSA63J-101X	MG RESISTOR	100Ω 1/16W J		L2102	NQL093K-4R7X	COIL	4.7uH K	
R2540	NRSA63J-101X	MG RESISTOR	100Ω 1/16W J		L2103	NQL093K-R47X	COIL	0.47uH K	
R2541	NRSA63J-101X	MG RESISTOR	100Ω 1/16W J		L2104	NQL093K-1R8X	COIL	1.8uH K	
R2542	NRSA63J-101X	MG RESISTOR	100Ω 1/16W J		L2105	NQL093K-R47X	COIL	0.47uH K	
R2543	NRSA63J-103X	MG RESISTOR	10kΩ 1/16W J		L2106	NQL114K-561X	P COIL	560uH K	
R2544	NRSA63J-103X	MG RESISTOR	10kΩ 1/16W J		L2107	NQL114K-561X	P COIL	560uH K	
R2545	NRSA63J-103X	MG RESISTOR	10kΩ 1/16W J		L2201	NQL093K-2R7X	COIL	2.7uH K	B
R2546	NRSA63J-103X	MG RESISTOR	10kΩ 1/16W J		L2202	NQL093K-R22X	COIL	0.22uH K	B
R2547	NRSA63J-273X	MG RESISTOR	27kΩ 1/16W J		L2501	NQL79GM-4R7X	COIL	4.7uH M	
R2548	NRSA63J-273X	MG RESISTOR	27kΩ 1/16W J		L2801	NQL79GK-470X	COIL	47uH K	
R2549	NRSA63J-473X	MG RESISTOR	47kΩ 1/16W J		L2901	QQR0703-001	CHOKE COIL		
R2550	NRSA63J-103X	MG RESISTOR	10kΩ 1/16W J		L2902	NQL79GK-101X	COIL	100uH K	
R2551	NRSA63J-104X	MG RESISTOR	100kΩ 1/16W J		T2101	QQR1813-001	COIL		
R2552	NRSA63J-473X	MG RESISTOR	47kΩ 1/16W J		T2201	QQR1813-001	COIL		B
R2553	NRSA63J-103X	MG RESISTOR	10kΩ 1/16W J		BK233	LV43967-001A	IC BRACKET		A
R2554	NRSA63J-472X	MG RESISTOR	4.7kΩ 1/16W J		BK241	LV38635-001A	GPS BKT		A
R2555	NRSA63J-473X	MG RESISTOR	47kΩ 1/16W J		BK291	LV37825-004A	REG. IC BKT		A
R2556	NRSA63J-273X	MG RESISTOR	27kΩ 1/16W J		BZ251	QAN0023-001Z	BUZZER		
R2557	NRSA63J-103X	MG RESISTOR	10kΩ 1/16W J		CN231	QGA2501C1-02	CONNECTOR	W-B (1-2)	
R2558	NRSA63J-472X	MG RESISTOR	4.7kΩ 1/16W J		CN241	QNZ0984-002	CAR CONNECTOR		
R2559	NRSA63J-821X	MG RESISTOR	820Ω 1/16W J		CN251	QGB1004K2-30W	CONNECTOR	B-B (1-30)	
R2560	NRSA63J-182X	MG RESISTOR	1.8kΩ 1/16W J		CN252	QGB0815K1-60X	CONNECTOR	B-B (1-60)	
R2561	NRSA63J-101X	MG RESISTOR	100Ω 1/16W J		CN261	QGA1217C2-03X	CONNECTOR	W-B (1-3)	B
R2562	NRSA63J-101X	MG RESISTOR	100Ω 1/16W J		CN291	QNZ0090-001	CAR CONNECTOR		
R2563	NRSA63J-682X	MG RESISTOR	6.8kΩ 1/16W J		CN481	QGA1217C2-03X	CONNECTOR	W-B (1-3)	B
R2564	NRSA63J-682X	MG RESISTOR	6.8kΩ 1/16W J		EP201	NNZ0165-001X	EARTH TERMINAL		
R2801	NRSA63J-473X	MG RESISTOR	47kΩ 1/16W J		EP202	NNZ0165-001X	EARTH TERMINAL		
R2802	NRSA63J-222X	MG RESISTOR	2.2kΩ 1/16W J		EP203	NNZ0165-001X	EARTH TERMINAL		
R2803	NRSA63J-473X	MG RESISTOR	47kΩ 1/16W J		EP204	NNZ0165-001X	EARTH TERMINAL		
R2804	NRSA63J-473X	MG RESISTOR	47kΩ 1/16W J		EP205	NNZ0165-001X	EARTH TERMINAL		
R2805	NRSA63J-106X	MG RESISTOR	10MΩ 1/16W J		EP481	NNZ0165-001X	EARTH TERMINAL		B
R2806	NRSA63J-0R0X	MG RESISTOR	0Ω 1/10W J		F2900	QMFZ039-150-T	FUSE	15A	A
R2807	NRSA63J-0R0X	MG RESISTOR	0Ω 1/10W J		F2901	NMFZ018-5R0X-E	FUSE	5A	A
R2808	NRSA63J-106X	MG RESISTOR	10MΩ 1/16W J		△F2901	NMFZ018-5R0X-E	FUSE	5A	B
R2809	NRSA63J-472X	MG RESISTOR	4.7kΩ 1/16W J		F2902	NMFZ018-5R0X-E	FUSE	5A	A
R2810	NRSA63J-472X	MG RESISTOR	4.7kΩ 1/16W J		△F2902	NMFZ018-5R0X-E	FUSE	5A	B
R2811	NRSA63J-472X	MG RESISTOR	4.7kΩ 1/16W J		J2301	QNN0775-001	PIN JACK		
R2812	NRSA63J-472X	MG RESISTOR	4.7kΩ 1/16W J		K2401	NQR0201-004X	FERRITE BEADS		
R2813	NRSA63J-472X	MG RESISTOR	4.7kΩ 1/16W J		K2402	NQR0201-004X	FERRITE BEADS		
R2814	NRSA63J-472X	MG RESISTOR	4.7kΩ 1/16W J		K2403	NQR0389-001X	FERRITE BEADS		
R2815	NRSA63J-0R0X	MG RESISTOR	0Ω 1/10W J	A	K2404	NQR0389-001X	FERRITE BEADS		
R2816	NRSA63J-0R0X	MG RESISTOR	0Ω 1/10W J	A					
R2817	NRSA63J-472X	MG RESISTOR	4.7kΩ 1/16W J						

Symbol No.	Part No.	Part Name	Description	Local
PP1	QZW0010-001	STYLE PIN		
PP2	QZW0010-001	STYLE PIN		
TH201	NAD0028-103X	N THERMISTOR	10kΩ	
TH231	NAD0028-103X	N THERMISTOR	10kΩ	
W2101	QAM1233-001	CAR CABLE		
X2001	QAX0401-001	CRYSTAL	32.768KHz	
X2002	NAX0981-001X	CRYSTAL		
X2101	QAX0928-001Z	CRYSTAL		
X2102	QAX0263-001Z	CRYSTAL	4.332MHz	B
X2201	QAX0928-001Z	CRYSTAL		B

## Sub board

Block No. [0][7]

Symbol No.	Part No.	Part Name	Description	Local
IC311	JVM4152	IC(MCU)		
IC321	TC74VHCT126AFTX	IC		A
IC341	NJM2505AF-X	IC		
IC342	NJM2505AF-X	IC		
IC343	NJM2535V-X	IC		
IC344	NJM2535V-X	IC		
IC345	NJM2561F1-X	IC		
IC351	TOTX177L	OPT TRANSMITTER		
IC371	BD9781HFP-W	IC		
IC372	BD9781HFP-W	IC		
IC374	LT1946AEMS8E-X	IC		
IC381	NJM4565E-X	IC		
IC392	NJM2732RB1-X	IC		B
Q3701	2SA812A/5-6/-X	TRANSISTOR		
Q3702	2SC1623A/5-6/-X	TRANSISTOR		
Q3703	2SA812A/5-6/-X	TRANSISTOR		
Q3901	RT1N141C-X	DIGI TRANSISTOR		
Q3901	or UN2211-X	TRANSISTOR		
D3201	MA22D23-X	SB DIODE		A
D3301	MA8062/M/-X	Z DIODE		
D3302	MA8062/M/-X	Z DIODE		
D3303	MA8062/M/-X	Z DIODE		
D3304	MA8062/M/-X	Z DIODE		
D3305	MA8062/M/-X	Z DIODE		
D3306	MA8062/M/-X	Z DIODE		
D3307	MA8062/M/-X	Z DIODE		
D3308	MA8062/M/-X	Z DIODE		
D3411	MA111-X	SI DIODE		
D3412	MA111-X	SI DIODE		
D3421	MA111-X	SI DIODE		
D3422	MA111-X	SI DIODE		
D3711	MA24D50-X	DIODE		
D3721	MA24D50-X	DIODE		
D3741	MA8120/M/-X	Z DIODE		
D3742	MA22D39-X	SB DIODE		
D3743	MA8024-X	Z DIODE		
D3744	MA2SD31-X	SB DIODE		
D3745	MA2SD31-X	SB DIODE		
D3746	MA2SD31-X	SB DIODE		
D3747	MA2SD31-X	SB DIODE		
D3748	MA8180/H/-X	Z DIODE		
D3801	MA8110/M/-X	Z DIODE		
D3802	MA8110/M/-X	Z DIODE		
D3922	MA111-X	SI DIODE		B
C3001	NDC31HJ-102X	C CAPACITOR	1000pF 50V J	
C3002	NDC31HJ-102X	C CAPACITOR	1000pF 50V J	
C3003	NDC31HJ-101X	C CAPACITOR	100pF 50V J	
C3004	NCB31CK-104X	C CAPACITOR	0.1uF 16V K	
C3005	NCB31CK-104X	C CAPACITOR	0.1uF 16V K	
C3006	NCB31CK-104X	C CAPACITOR	0.1uF 16V K	
C3031	NCJ11EK-106X-R	C CAPACITOR	10uF 25V	
C3032	NCJ11EK-106X-R	C CAPACITOR	10uF 25V	
C3033	QEKJ1CM-107Z	E CAPACITOR	100uF 16V M	
C3034	NCJ11EK-106X-R	C CAPACITOR	10uF 25V	
C3035	QEKJ1CM-107Z	E CAPACITOR	100uF 16V M	

Symbol No.	Part No.	Part Name	Description	Local
C3036	NCJ11EK-106X-R	C CAPACITOR	10uF 25V	
C3037	QEKJ1CM-107Z	E CAPACITOR	100uF 16V M	
C3038	NCJ11EK-106X-R	C CAPACITOR	10uF 25V	
C3039	NCJ11EK-106X-R	C CAPACITOR	10uF 25V	
C3040	NCJ11EK-106X-R	C CAPACITOR	10uF 25V	
C3041	QEKJ1CM-107Z	E CAPACITOR	100uF 16V M	
C3042	NDC31HJ-471X	C CAPACITOR	470pF 50V J	
C3043	NCJ11EK-106X-R	C CAPACITOR	10uF 25V	
C3045	QERF1EM-107Z	E CAPACITOR	100uF 25V M	
C3046	NCJ11EK-106X-R	C CAPACITOR	10uF 25V	
C3101	QEKJ1CM-476Z	E CAPACITOR	47uF 16V M	
C3102	NCB31CK-104X	C CAPACITOR	0.1uF 16V K	
C3105	NCB31CK-104X	C CAPACITOR	0.1uF 16V K	
C3106	NCB31CK-104X	C CAPACITOR	0.1uF 16V K	
C3201	NCB31HK-102X	C CAPACITOR	1000pF 50V K	A
C3202	NCB31HK-102X	C CAPACITOR	1000pF 50V K	A
C3203	NDC31HJ-101X	C CAPACITOR	100pF 50V J	A
C3204	NCB31HK-104X	C CAPACITOR	0.1uF 50V K	A
C3205	NCB31HK-104X	C CAPACITOR	0.1uF 50V K	A
C3206	NCB31HK-104X	C CAPACITOR	0.1uF 50V K	A
C3211	NCB31HK-102X	C CAPACITOR	1000pF 50V K	A
C3212	NCB31HK-102X	C CAPACITOR	1000pF 50V K	A
C3213	QEKJ1CM-476Z	E CAPACITOR	47uF 16V M	
C3214	NCB31EK-473X	C CAPACITOR	0.047uF 25V K	A
C3251	NCB31CK-104X	C CAPACITOR	0.1uF 16V K	
C3301	NDC31HJ-470X	C CAPACITOR	47pF 50V J	
C3303	NDC31HJ-101X	C CAPACITOR	100pF 50V J	
C3304	NDC31HJ-101X	C CAPACITOR	100pF 50V J	
C3305	NCB31HK-473X	C CAPACITOR	0.047uF 50V K	
C3307	NDC31HJ-470X	C CAPACITOR	47pF 50V J	
C3308	NDC31HJ-101X	C CAPACITOR	100pF 50V J	
C3309	NDC31HJ-101X	C CAPACITOR	100pF 50V J	B
C3310	NDC31HJ-101X	C CAPACITOR	100pF 50V J	
C3311	NDC31HJ-471X	C CAPACITOR	470pF 50V J	
C3411	QEKJ1EM-106Z	E CAPACITOR	10uF 25V M	
C3412	QEKJ1EM-106Z	E CAPACITOR	10uF 25V M	
C3413	NCB31HK-102X	C CAPACITOR	1000pF 50V K	
C3414	QEKJ1CM-476Z	E CAPACITOR	47uF 16V M	
C3415	NCB31CK-104X	C CAPACITOR	0.1uF 16V K	
C3421	QEKJ1EM-106Z	E CAPACITOR	10uF 25V M	
C3422	QEKJ1EM-106Z	E CAPACITOR	10uF 25V M	
C3423	NCB31HK-102X	C CAPACITOR	1000pF 50V K	
C3425	NCB31CK-104X	C CAPACITOR	0.1uF 16V K	
C3431	NCB31CK-105X	C CAPACITOR	1uF 16V K	
C3432	NCB31CK-105X	C CAPACITOR	1uF 16V K	
C3433	NCB31CK-105X	C CAPACITOR	1uF 16V K	
C3435	NCB31HK-104X	C CAPACITOR	0.1uF 50V K	
C3441	NCB31CK-105X	C CAPACITOR	1uF 16V K	
C3442	NCB31CK-105X	C CAPACITOR	1uF 16V K	
C3443	NCB31CK-105X	C CAPACITOR	1uF 16V K	
C3444	QEKJ1CM-476Z	E CAPACITOR	47uF 16V M	
C3445	NCB31HK-104X	C CAPACITOR	0.1uF 50V K	
C3451	QEKJ0JM-337Z	E CAPACITOR	330uF 6.3V M	
C3453	NCB31CK-105X	C CAPACITOR	1uF 16V K	
C3454	NCB31HK-104X	C CAPACITOR	0.1uF 50V K	
C3501	QEKJ1CM-476Z	E CAPACITOR	47uF 16V M	
C3504	NCB31CK-104X	C CAPACITOR	0.1uF 16V K	
C3505	QEKJ1CM-107Z	E CAPACITOR	100uF 16V M	
C3507	NCB31CK-104X	C CAPACITOR	0.1uF 16V K	
C3551	QEKJ1EM-106Z	E CAPACITOR	10uF 25V M	
C3552	NCB31HK-103X	C CAPACITOR	0.01uF 50V K	
C3553	NDC31HJ-101X	C CAPACITOR	100pF 50V J	
C3701	QETN1EM-477Z	E CAPACITOR	470uF 25V M	
C3702	QERF1EM-107Z	E CAPACITOR	100uF 25V M	
C3703	NCJ11EK-106X-R	C CAPACITOR	10uF 25V	
C3711	NCJ11EK-106X-R	C CAPACITOR	10uF 25V	
C3712	QEKJ1CM-107Z	E CAPACITOR	100uF 16V M	
C3713	NCJ11EK-106X-R	C CAPACITOR	10uF 25V	
C3714	NCB31CK-104X	C CAPACITOR	0.1uF 16V K	
C3715	NCB31HK-472X	C CAPACITOR	4700pF 50V K	
C3721	NCJ11EK-106X-R	C CAPACITOR	10uF 25V	
C3722	QEKJ1CM-107Z	E CAPACITOR	100uF 16V M	
C3723	NCJ11EK-106X-R	C CAPACITOR	10uF 25V	
C3724	NCB31CK-104X	C CAPACITOR	0.1uF 16V K	
C3725	NCB31HK-472X	C CAPACITOR	4700pF 50V K	
C3732	QEKJ1EM-106Z	E CAPACITOR	10uF 25V M	
C3741	NCB11EK-105X	C CAPACITOR	1uF 25V K	
C3742	NCJ11EK-106X-R	C CAPACITOR	10uF 25V	

△ Symbol No.	Part No.	Part Name	Description	Local	△ Symbol No.	Part No.	Part Name	Description	Local
C3743	NCB11EK-105X	C CAPACITOR	1uF 25V K		R3116	NRSA63J-103X	MG RESISTOR	10kΩ 1/16W J	
C3744	NDC31HJ-220X	C CAPACITOR	22pF 50V J		R3117	NRSA63J-103X	MG RESISTOR	10kΩ 1/16W J	
C3745	NCB11EK-105X	C CAPACITOR	1uF 25V K		R3118	NRSA63J-102X	MG RESISTOR	1kΩ 1/16W J	
C3746	NCB11EK-105X	C CAPACITOR	1uF 25V K		R3124	NRSA63J-103X	MG RESISTOR	10kΩ 1/16W J	
C3747	NCB31HK-103X	C CAPACITOR	0.01uF 50V K		R3125	NRSA63J-101X	MG RESISTOR	100Ω 1/16W J	
C3748	NCB11EK-105X	C CAPACITOR	1uF 25V K		R3126	NRSA63J-472X	MG RESISTOR	4.7kΩ 1/16W J	
C3749	NCJ11EK-106X-R	C CAPACITOR	10uF 25V		R3127	NRSA63J-102X	MG RESISTOR	1kΩ 1/16W J	
C3750	NCJ11EK-106X-R	C CAPACITOR	10uF 25V		R3128	NRSA63J-0R0X	MG RESISTOR	0Ω 1/10W J	
C3751	NCB31HK-103X	C CAPACITOR	0.01uF 50V K		R3129	NRSA63J-103X	MG RESISTOR	10kΩ 1/16W J	
C3752	NCB31CK-105X	C CAPACITOR	1uF 16V K		R3130	NRSA63J-103X	MG RESISTOR	10kΩ 1/16W J	B
C3753	NCJ11EK-106X-R	C CAPACITOR	10uF 25V		R3131	NRSA63J-103X	MG RESISTOR	10kΩ 1/16W J	B
C3754	NCB11EK-105X	C CAPACITOR	1uF 25V K		R3132	NRSA63J-103X	MG RESISTOR	10kΩ 1/16W J	B
C3755	NDC31HJ-471X	C CAPACITOR	470pF 50V J		R3134	NRSA63J-223X	MG RESISTOR	22kΩ 1/16W J	
C3756	NCB31CK-105X	C CAPACITOR	1uF 16V K		R3135	NRSA63J-101X	MG RESISTOR	100Ω 1/16W J	
C3802	NDC31HJ-101X	C CAPACITOR	100pF 50V J		R3136	NRSA63J-103X	MG RESISTOR	10kΩ 1/16W J	
C3803	NCB31CK-105X	C CAPACITOR	1uF 16V K		R3137	NRSA63J-103X	MG RESISTOR	10kΩ 1/16W J	
C3804	NCB31CK-105X	C CAPACITOR	1uF 16V K		R3201	NRSA63J-151X	MG RESISTOR	150Ω 1/16W J	A
C3805	NDC31HJ-561X	C CAPACITOR	560pF 50V J		R3202	NRSA63J-151X	MG RESISTOR	150Ω 1/16W J	A
C3806	QEKJ1CM-476Z	E CAPACITOR	47uF 16V M		R3203	NRSA63J-0R0X	MG RESISTOR	0Ω 1/10W J	A
C3807	NCB31EK-333X	C CAPACITOR	0.033uF 25V K		R3211	NRSA63J-102X	MG RESISTOR	1kΩ 1/16W J	A
C3808	NCB31EK-333X	C CAPACITOR	0.033uF 25V K		R3212	NRSA63J-104X	MG RESISTOR	100kΩ 1/16W J	A
C3809	NCB31HK-104X	C CAPACITOR	0.1uF 50V K		R3213	NRSA63J-104X	MG RESISTOR	100kΩ 1/16W J	A
C3810	NDC31HJ-561X	C CAPACITOR	560pF 50V J		R3214	NRSA63J-392X	MG RESISTOR	3.9kΩ 1/16W J	A
C3811	NCJ11EK-106X-R	C CAPACITOR	10uF 25V		R3215	NRSA63J-682X	MG RESISTOR	6.8kΩ 1/16W J	A
C3812	NCB31CK-105X	C CAPACITOR	1uF 16V K		R3216	NRSA63J-102X	MG RESISTOR	1kΩ 1/16W J	A
C3813	NCJ11EK-106X-R	C CAPACITOR	10uF 25V		R3217	NRSA63J-104X	MG RESISTOR	100kΩ 1/16W J	A
C3814	NCB31HK-104X	C CAPACITOR	0.1uF 50V K		R3218	NRSA63J-101X	MG RESISTOR	100Ω 1/16W J	A
C3911	NCB31CK-104X	C CAPACITOR	0.1uF 16V K		R3219	NRSA63J-101X	MG RESISTOR	100Ω 1/16W J	A
C3912	NDC31HJ-101X	C CAPACITOR	100pF 50V J		R3220	NRSA63J-104X	MG RESISTOR	100kΩ 1/16W J	A
C3921	NDC31HJ-101X	C CAPACITOR	100pF 50V J	B	R3221	NRSA63J-102X	MG RESISTOR	1kΩ 1/16W J	A
C3922	NCB31HK-472X	C CAPACITOR	4700pF 50V K	B	R3222	NRSA63J-104X	MG RESISTOR	100kΩ 1/16W J	A
C3923	NCB31HK-102X	C CAPACITOR	1000pF 50V K	B	R3223	NRSA63J-392X	MG RESISTOR	3.9kΩ 1/16W J	A
C3924	NCB31HK-104X	C CAPACITOR	0.1uF 50V K	B	R3224	NRSA63J-682X	MG RESISTOR	6.8kΩ 1/16W J	A
R3002	NRSA63J-101X	MG RESISTOR	100Ω 1/16W J		R3251	NRS181J-0R0X	MG RESISTOR	0Ω 1/8W J	
R3003	NRSA63J-101X	MG RESISTOR	100Ω 1/16W J		R3301	NRSA63J-750X	MG RESISTOR	75Ω 1/16W J	
R3004	NRSA63J-101X	MG RESISTOR	100Ω 1/16W J		R3303	NRSA63J-222X	MG RESISTOR	2.2kΩ 1/16W J	
R3005	NRSA63J-101X	MG RESISTOR	100Ω 1/16W J		R3304	NRSA63J-222X	MG RESISTOR	2.2kΩ 1/16W J	
R3006	NRSA63J-101X	MG RESISTOR	100Ω 1/16W J		R3305	NRSA63J-223X	MG RESISTOR	22kΩ 1/16W J	
R3007	NRSA63J-101X	MG RESISTOR	100Ω 1/16W J		R3306	NRSA63J-223X	MG RESISTOR	22kΩ 1/16W J	
R3008	NRSA63J-101X	MG RESISTOR	100Ω 1/16W J		R3307	NRSA63J-471X	MG RESISTOR	470Ω 1/16W J	
R3009	NRSA63J-101X	MG RESISTOR	100Ω 1/16W J		R3308	NRSA63J-0R0X	MG RESISTOR	0Ω 1/10W J	
R3010	NRSA63J-101X	MG RESISTOR	100Ω 1/16W J		R3309	NRSA63J-0R0X	MG RESISTOR	0Ω 1/10W J	
R3011	NRSA63J-101X	MG RESISTOR	100Ω 1/16W J		R3310	NRSA63J-0R0X	MG RESISTOR	0Ω 1/10W J	
R3012	NRSA63J-101X	MG RESISTOR	100Ω 1/16W J		R3311	NRSA63J-0R0X	MG RESISTOR	0Ω 1/10W J	
R3013	NRSA63J-101X	MG RESISTOR	100Ω 1/16W J		R3312	NRSA63J-0R0X	MG RESISTOR	0Ω 1/10W J	
R3014	NRSA63J-101X	MG RESISTOR	100Ω 1/16W J		R3313	NRSA63J-271X	MG RESISTOR	270Ω 1/16W J	
R3015	NRSA63J-101X	MG RESISTOR	100Ω 1/16W J		R3314	NRSA63J-101X	MG RESISTOR	100Ω 1/16W J	B
R3016	NRSA63J-101X	MG RESISTOR	100Ω 1/16W J		R3315	NRSA63J-101X	MG RESISTOR	100Ω 1/16W J	
R3017	NRSA63J-101X	MG RESISTOR	100Ω 1/16W J		R3411	NRSA63J-471X	MG RESISTOR	470Ω 1/16W J	
R3018	NRSA63J-101X	MG RESISTOR	100Ω 1/16W J		R3412	NRSA63J-471X	MG RESISTOR	470Ω 1/16W J	
R3019	NRSA63J-101X	MG RESISTOR	100Ω 1/16W J		R3414	NRSA63J-390X	MG RESISTOR	39Ω 1/16W J	
R3020	NRSA63J-101X	MG RESISTOR	100Ω 1/16W J		R3421	NRSA63J-471X	MG RESISTOR	470Ω 1/16W J	
R3021	NRSA63J-101X	MG RESISTOR	100Ω 1/16W J		R3422	NRSA63J-471X	MG RESISTOR	470Ω 1/16W J	
R3022	NRSA63J-101X	MG RESISTOR	100Ω 1/16W J		R3424	NRSA63J-390X	MG RESISTOR	39Ω 1/16W J	
R3023	NRSA63J-101X	MG RESISTOR	100Ω 1/16W J		R3431	NRSA63J-332X	MG RESISTOR	3.3kΩ 1/16W J	
R3031	NRSA63J-101X	MG RESISTOR	100Ω 1/16W J		R3432	NRSA63J-181X	MG RESISTOR	180Ω 1/16W J	
R3032	NRSA63J-101X	MG RESISTOR	100Ω 1/16W J		R3434	NRSA63J-0R0X	MG RESISTOR	0Ω 1/10W J	
R3033	NRS125J-R22X	MG RESISTOR	0.22Ω 1/2W J		R3451	NRSA63J-0R0X	MG RESISTOR	0Ω 1/10W J	
R3034	NRS125J-R22X	MG RESISTOR	0.22Ω 1/2W J		R3452	NRSA63J-0R0X	MG RESISTOR	0Ω 1/10W J	
R3035	NRSA63J-104X	MG RESISTOR	100kΩ 1/16W J		R3504	NRSA63J-473X	MG RESISTOR	47kΩ 1/16W J	
R3036	NRSA63J-104X	MG RESISTOR	100kΩ 1/16W J		R3508	NRSA63J-473X	MG RESISTOR	47kΩ 1/16W J	
R3037	NRS125J-R22X	MG RESISTOR	0.22Ω 1/2W J		R3510	NRSA63J-473X	MG RESISTOR	47kΩ 1/16W J	
R3038	NRS125J-R22X	MG RESISTOR	0.22Ω 1/2W J		R3513	NRSA63J-473X	MG RESISTOR	47kΩ 1/16W J	
R3101	NRSA63J-0R0X	MG RESISTOR	0Ω 1/10W J		R3515	NRSA63J-473X	MG RESISTOR	47kΩ 1/16W J	
R3102	NRSA63J-103X	MG RESISTOR	10kΩ 1/16W J		R3516	NRSA63J-0R0X	MG RESISTOR	0Ω 1/10W J	
R3103	NRSA63J-0R0X	MG RESISTOR	0Ω 1/10W J		R3517	NRSA63J-0R0X	MG RESISTOR	0Ω 1/10W J	
R3104	NRSA63J-103X	MG RESISTOR	10kΩ 1/16W J		R3518	NRSA63J-224X	MG RESISTOR	220kΩ 1/16W J	
R3105	NRSA63J-102X	MG RESISTOR	1kΩ 1/16W J		R3519	NRSA63J-224X	MG RESISTOR	220kΩ 1/16W J	
R3106	NRSA63J-102X	MG RESISTOR	1kΩ 1/16W J	A	R3551	NRSA63J-0R0X	MG RESISTOR	0Ω 1/10W J	
R3107	NRSA63J-102X	MG RESISTOR	1kΩ 1/16W J	A	R3711	NRSA63D-224X	MG RESISTOR	220kΩ 1/16W D	
R3108	NRSA63J-102X	MG RESISTOR	1kΩ 1/16W J	A	R3712	NRSA63J-154X	MG RESISTOR	150kΩ 1/16W J	
R3109	NRSA63J-102X	MG RESISTOR	1kΩ 1/16W J		R3713	NRSA63D-623X	MG RESISTOR	62kΩ 1/16W D	
R3110	NRSA63J-103X	MG RESISTOR	10kΩ 1/16W J		R3714	NRSA63D-224X	MG RESISTOR	220kΩ 1/16W D	
R3111	NRSA63J-102X	MG RESISTOR	1kΩ 1/16W J		R3715	NRSA63D-103X	MG RESISTOR	10kΩ 1/16W D	
R3113	NRSA63J-102X	MG RESISTOR	1kΩ 1/16W J	A	R3721	NRSA63D-224X	MG RESISTOR	220kΩ 1/16W D	
R3114	NRSA63J-102X	MG RESISTOR	1kΩ 1/16W J	A	R3722	NRSA63J-154X	MG RESISTOR	150kΩ 1/16W J	
R3115	NRSA63J-102X	MG RESISTOR	1kΩ 1/16W J	A	R3723	NRSA63D-243X	MG RESISTOR	24kΩ 1/16W D	
					R3725	NRSA63D-103X	MG RESISTOR	10kΩ 1/16W D	

△ Symbol No.	Part No.	Part Name	Description	Local
R3741	NRSA63J-154X	MG RESISTOR	150kΩ 1/16W J	
R3742	NRSA63J-473X	MG RESISTOR	47kΩ 1/16W J	
R3743	NRSA63J-104X	MG RESISTOR	100kΩ 1/16W J	
R3744	NRSA63J-682X	MG RESISTOR	6.8kΩ 1/16W J	
R3745	NRSA63D-184X	MG RESISTOR	180kΩ 1/16W D	
R3746	NRSA63D-203X	MG RESISTOR	20kΩ 1/16W D	
R3747	NRSA63J-331X	MG RESISTOR	330Ω 1/16W J	
R3748	NRSA63J-104X	MG RESISTOR	100kΩ 1/16W J	
R3749	NRSA63J-102X	MG RESISTOR	1kΩ 1/16W J	
R3750	NRSA63J-0R0X	MG RESISTOR	0Ω 1/10W J	
R3751	NRSA63J-202X	MG RESISTOR	2kΩ 1/16W J	
R3752	NRSA63J-223X	MG RESISTOR	22kΩ 1/16W J	
R3753	NRSA63J-562X	MG RESISTOR	5.6kΩ 1/16W J	
R3801	NRSA63J-122X	MG RESISTOR	1.2kΩ 1/16W J	
R3802	NRSA63J-122X	MG RESISTOR	1.2kΩ 1/16W J	
R3803	NRSA63J-333X	MG RESISTOR	33kΩ 1/16W J	
R3804	NRSA63J-822X	MG RESISTOR	8.2kΩ 1/16W J	
R3805	NRSA63J-822X	MG RESISTOR	8.2kΩ 1/16W J	
R3806	NRSA63J-223X	MG RESISTOR	22kΩ 1/16W J	
R3807	NRSA63J-223X	MG RESISTOR	22kΩ 1/16W J	
R3808	NRSA63J-333X	MG RESISTOR	33kΩ 1/16W J	
R3809	NRSA63J-822X	MG RESISTOR	8.2kΩ 1/16W J	
R3810	NRSA63J-333X	MG RESISTOR	33kΩ 1/16W J	
R3811	NRSA63J-100X	MG RESISTOR	10Ω 1/16W J	
R3812	NRSA63J-680X	MG RESISTOR	68Ω 1/16W J	
R3813	NRSA63J-680X	MG RESISTOR	68Ω 1/16W J	
R3911	NRSA63J-0R0X	MG RESISTOR	0Ω 1/10W J	
R3912	NRSA63J-103X	MG RESISTOR	10kΩ 1/16W J	
R3914	NRSA63J-473X	MG RESISTOR	47kΩ 1/16W J	
R3921	NRSA63J-513X	MG RESISTOR	51kΩ 1/16W J	B
R3922	NRSA63J-513X	MG RESISTOR	51kΩ 1/16W J	B
R3923	NRSA63J-513X	MG RESISTOR	51kΩ 1/16W J	B
R3924	NRSA63J-683X	MG RESISTOR	68kΩ 1/16W J	B
R3925	NRSA63J-683X	MG RESISTOR	68kΩ 1/16W J	B
R3926	NRSA63J-103X	MG RESISTOR	10kΩ 1/16W J	B
R3927	NRSA63J-513X	MG RESISTOR	51kΩ 1/16W J	B
R3928	NRSA63J-563X	MG RESISTOR	56kΩ 1/16W J	B
R3929	NRSA63J-683X	MG RESISTOR	68kΩ 1/16W J	B
R3930	NRSA63J-104X	MG RESISTOR	100kΩ 1/16W J	B
R3931	NRSA63J-822X	MG RESISTOR	8.2kΩ 1/16W J	B
RA341	NRZ0065-301X	MG RESISTOR	300Ω	
RA342	NRZ0065-301X	MG RESISTOR	300Ω	
L3101	NQL79GK-100X	COIL	10uH K	
L3201	NQLC8CN-4R9X	COIL	4.9uH N	A
L3401	NQL79GK-470X	COIL	47uH K	
L3701	NQLC8CN-4R9X	COIL	4.9uH N	
L3711	NQL71EM-330X	COIL	33uH M	
L3721	NQL71EM-330X	COIL	33uH M	
L3741	NQL79GK-100X	COIL	10uH K	
L3742	NQLZ007-4R7X	COIL	4.7uH	
L3743	NQL79GK-470X	COIL	47uH K	
L3801	NQL79GK-470X	COIL	47uH K	
BK331	LV36554-002A	CONNECTOR BKT		A
BK381	LV38639-001A	MIC BKT		A
CN301	QGB0815K1-60X	CONNECTOR	B-B (1-60)	
CN302	QGB1004K2-30W	CONNECTOR	B-B (1-30)	
CN321	QNZ0095-001	CONNECTOR		A
CN325	QGA2001C7-02X	CONNECTOR	W-B (1-2)	
CN331	QGA2015F1-14	CONNECTOR	W-B (1-14)	
CN351	QGB2027M4-30S	CONNECTOR	B-B (1-30)	
EP301	NNZ0165-001X	EARTH TERMINAL		
EP302	NNZ0165-001X	EARTH TERMINAL		
EP303	NNZ0165-001X	EARTH TERMINAL		
EP304	NNZ0165-001X	EARTH TERMINAL		
EP305	NNZ0165-001X	EARTH TERMINAL		
F3001	NMFZ018-R75X-E	FUSE	0.75A	A
△ F3001	NMFZ018-R75X-E	FUSE	0.75A	B
F3031	NMFZ018-4R0X-E	FUSE	4A	A
△ F3031	NMFZ018-4R0X-E	FUSE	4A	B
F3032	NMFZ018-4R0X-E	FUSE	4A	A
△ F3032	NMFZ018-4R0X-E	FUSE	4A	B
J3801	QNS0283-001	STEERING REMOTE		
K3001	NQR0201-004X	FERRITE BEADS		
K3002	NQR0201-004X	FERRITE BEADS		
K3551	NQR0022-005X	FERRITE BEADS		
K3801	NRSA63J-0R0X	MG RESISTOR	0Ω 1/10W J	

△ Symbol No.	Part No.	Part Name	Description	Local
K3802	NRSA63J-0R0X	MG RESISTOR	0Ω 1/10W J	
PP3	QZW0010-001	STYLE PIN		
S3001	NSW0126-001X	DETECT SWITCH		

## Detach board

Block No. [0][8]

△ Symbol No.	Part No.	Part Name	Description	Local
IC401	RUQ050N02-W	MOS FET		
IC451	BA00CC0WFP-X	IC		
IC452	BA00CC0WFP-X	IC		
IC453	NJM4580E-X	IC		
Q451	2SC1623A/5-6/-X	TRANSISTOR		
D401	MA8062/M/-X	Z DIODE		
D402	MA8062/M/-X	Z DIODE		
D403	MA8062/M/-X	Z DIODE		
D404	MA8062/M/-X	Z DIODE		
D405	MA8062/M/-X	Z DIODE		
D406	MA8062/M/-X	Z DIODE		
D407	MA8062/M/-X	Z DIODE		
D408	MA8062/M/-X	Z DIODE		
D409	MA8062/M/-X	Z DIODE		
D410	MA8062/M/-X	Z DIODE		
D411	MA8062/M/-X	Z DIODE		
D412	MA8062/M/-X	Z DIODE		
D413	MA8062/M/-X	Z DIODE		
D414	MA8062/M/-X	Z DIODE		
D415	MA8062/M/-X	Z DIODE		
D416	MA8062/M/-X	Z DIODE		
D417	MA8062/M/-X	Z DIODE		
D418	MA8062/M/-X	Z DIODE		
D419	MA8062/M/-X	Z DIODE		
D420	MA8062/M/-X	Z DIODE		
D421	MA8062/M/-X	Z DIODE		
D422	MA8062/M/-X	Z DIODE		
D423	MA8062/M/-X	Z DIODE		
D451	CRS03-W	SB DIODE		
D452	CRS03-W	SB DIODE		
D453	CRS03-W	SB DIODE		
D454	MA8056/H/-X	Z DIODE		
D458	CRS03-W	SB DIODE		
D459	CRS03-W	SB DIODE		
D491	NECBB205/WPQR/X	LED		
D4531	MA8051/M/-X	Z DIODE		
D4541	MA8051/M/-X	Z DIODE		
C451	NEAF1CM-476X	E CAPACITOR	47uF 16V M	
C452	NEAF1CM-107X	E CAPACITOR	100uF 16V M	
C453	NCB31CK-104X	C CAPACITOR	0.1uF 16V K	
C454	NEAF1CM-476X	E CAPACITOR	47uF 16V M	
C455	NEAF1CM-107X	E CAPACITOR	100uF 16V M	
C456	NCB31CK-104X	C CAPACITOR	0.1uF 16V K	
C457	NEAF1CM-107X	E CAPACITOR	100uF 16V M	
C458	NEAF1CM-107X	E CAPACITOR	100uF 16V M	
C4501	NCB31CK-104X	C CAPACITOR	0.1uF 16V K	
C4503	NDC31HJ-471X	C CAPACITOR	470pF 50V J	
C4504	NCB31CK-104X	C CAPACITOR	0.1uF 16V K	
C4505	NCB31CK-104X	C CAPACITOR	0.1uF 16V K	
C4506	NCB31CK-104X	C CAPACITOR	0.1uF 16V K	
C4507	NCB31HK-103X	C CAPACITOR	0.01uF 50V K	
C4508	NDC31HJ-101X	C CAPACITOR	100pF 50V J	
C4509	NCB31CK-104X	C CAPACITOR	0.1uF 16V K	
C4531	NEAF1EM-475X	E CAPACITOR	4.7uF 25V M	
C4532	NDC31HJ-821X	C CAPACITOR	820pF 50V J	
C4533	NDC31HJ-681X	C CAPACITOR	680pF 50V J	
C4534	NEAF1CM-107X	E CAPACITOR	100uF 16V M	
C4535	NEAF1EM-475X	E CAPACITOR	4.7uF 25V M	
C4536	NEAF1CM-107X	E CAPACITOR	100uF 16V M	
C4538	NDC31HJ-331X	C CAPACITOR	330pF 50V J	
C4541	NEAF1EM-475X	E CAPACITOR	4.7uF 25V M	
C4542	NDC31HJ-821X	C CAPACITOR	820pF 50V J	

△ Symbol No.	Part No.	Part Name	Description	Local	△ Symbol No.	Part No.	Part Name	Description	Local
C4543	NDC31HJ-681X	C CAPACITOR	680pF 50V J		Q9112	2SC5938A/B/-X	TRANSISTOR		
C4544	NEAF1CM-107X	E CAPACITOR	100uF 16V M		Q9121	ISA1530AC1/R/-X	TRANSISTOR		
C4545	NEAF1EM-475X	E CAPACITOR	4.7uF 25V M		Q9401	2SD601A/QR/-X	TRANSISTOR		
C4548	NDC31HJ-331X	C CAPACITOR	330pF 50V J		Q9402	2SB709A/QR/-X	TRANSISTOR		
R401	NRSA63J-0R0X	MG RESISTOR	0Ω 1/10W J		Q9403	2SD601A/QR/-X	TRANSISTOR		
R402	NRSA63J-0R0X	MG RESISTOR	0Ω 1/10W J		Q9404	2SB709A/QR/-X	TRANSISTOR		
R403	NRSA63J-102X	MG RESISTOR	1kΩ 1/16W J		Q9511	RSQ025P03-W	TRANSISTOR		
R451	NRSA63D-682X	MG RESISTOR	6.8kΩ 1/16W D		Q9512	2SK3019-X	MOS FET		
R452	NRSA63D-302X	MG RESISTOR	3kΩ 1/16W D		Q9601	RT1N141C-X	DIGI TRANSISTOR		
R453	NRSA63D-682X	MG RESISTOR	6.8kΩ 1/16W D		Q9602	RT1N141C-X	DIGI TRANSISTOR		
R454	NRSA63D-222X	MG RESISTOR	2.2kΩ 1/16W D		Q9701	RT1N141C-X	DIGI TRANSISTOR		
R455	NRSA63J-681X	MG RESISTOR	680Ω 1/16W J		Q9702	RT1N441C-X	TRANSISTOR		
R457	NRSA63J-104X	MG RESISTOR	100kΩ 1/16W J		Q9711	RT1N141C-X	DIGI TRANSISTOR		
R4501	NRSA63J-101X	MG RESISTOR	100Ω 1/16W J		Q9712	2SB709A/QR/-X	TRANSISTOR		
R4531	NRSA63J-104X	MG RESISTOR	100kΩ 1/16W J		Q9713	2SC5938A/B/-X	TRANSISTOR		
R4532	NRSA63J-182X	MG RESISTOR	1.8kΩ 1/16W J		Q9714	2SB709A/QR/-X	TRANSISTOR		
R4533	NRSA63J-182X	MG RESISTOR	1.8kΩ 1/16W J		Q9715	2SC5938A/B/-X	TRANSISTOR		
R4534	NRSA63J-104X	MG RESISTOR	100kΩ 1/16W J		Q9751	RT1N141C-X	DIGI TRANSISTOR		
R4535	NRSA63J-102X	MG RESISTOR	1kΩ 1/16W J		Q9752	RT1N441C-X	TRANSISTOR		
R4536	NRSA63J-752X	MG RESISTOR	7.5kΩ 1/16W J		D8401	CL-260S-HB8-X	LED		
R4537	NRSA63J-472X	MG RESISTOR	4.7kΩ 1/16W J		D8402	CL-260S-HB8-X	LED		
R4541	NRSA63J-104X	MG RESISTOR	100kΩ 1/16W J		D8403	CL-260S-HB8-X	LED		
R4542	NRSA63J-182X	MG RESISTOR	1.8kΩ 1/16W J		D8404	CL-260S-HB8-X	LED		
R4543	NRSA63J-182X	MG RESISTOR	1.8kΩ 1/16W J		D9004	MA2SD31-X	SB DIODE		
R4544	NRSA63J-104X	MG RESISTOR	100kΩ 1/16W J		D9501	MA22D39-X	SB DIODE		
R4545	NRSA63J-102X	MG RESISTOR	1kΩ 1/16W J		D9812	MA8033-X	Z DIODE		
R4546	NRSA63J-752X	MG RESISTOR	7.5kΩ 1/16W J						
R4547	NRSA63J-472X	MG RESISTOR	4.7kΩ 1/16W J						
CN401	NNZ0230-003	CAR CONNECTOR			C8301	NBE20JM-476X	TA E CAPACITOR	47uF 6.3V M	
CN402	QGA1002F1-02X	CONNECTOR	W-B (1-2)		C8302	NCB31CK-104X	C CAPACITOR	0.1uF 16V K	
CN411	QGB0815J1-60X	CONNECTOR	B-B (1-60)		C8303	NBE20JM-476X	TA E CAPACITOR	47uF 6.3V M	
CN412	QGB1004J4-30X	CONNECTOR	B-B (1-30)		C8304	NCB31CK-104X	C CAPACITOR	0.1uF 16V K	
CN421	QGB0815J1-60X	CONNECTOR	B-B (1-60)		C8305	NDC31HJ-150X-G	C CAPACITOR	15pF 50V J	
CN422	QGB1004J4-30X	CONNECTOR	B-B (1-30)		C8306	NCB31HK-103X	C CAPACITOR	0.01uF 50V K	
CN451	QGB2027L9-30X	CONNECTOR	B-B (1-30)		C8501	NCB31HK-103X	C CAPACITOR	0.01uF 50V K	
CN461	QGF0534F3-50X	CONNECTOR	FFC/FPC (1-50)		C8504	NCB31HK-103X	C CAPACITOR	0.01uF 50V K	
CN491	QGA1002F1-02X	CONNECTOR	W-B (1-2)		C8505	NCJ11EK-106X-R	C CAPACITOR	10uF 25V	
EP401	NNZ0165-001X	EARTH TERMINAL			C8601	NDC31HJ-101X	C CAPACITOR	100pF 50V J	
EP402	NNZ0165-001X	EARTH TERMINAL			C8602	NDC31HJ-101X	C CAPACITOR	100pF 50V J	
EP403	NNZ0165-001X	EARTH TERMINAL			C8603	NDC31HJ-101X	C CAPACITOR	100pF 50V J	
EP451	NNZ0165-001X	EARTH TERMINAL			C8604	NCB31HK-102X	C CAPACITOR	1000pF 50V K	
EP452	NNZ0165-001X	EARTH TERMINAL			C9031	NCB31CK-104X	C CAPACITOR	0.1uF 16V K	
EP453	NNZ0165-001X	EARTH TERMINAL			C9061	NCB31CK-104X	C CAPACITOR	0.1uF 16V K	
EP454	NNZ0165-001X	EARTH TERMINAL			C9062	NDC31HJ-8R0X	C CAPACITOR	8pF 50V J	

## Panel board

Block No. [0][9]

△ Symbol No.	Part No.	Part Name	Description	Local	△ Symbol No.	Part No.	Part Name	Description	Local
IC801	BU21010MUV-X	IC			C9101	NCB31AK-105X	C CAPACITOR	1uF 10V K	
IC901	JVM4233	IC(MCU)			C9111	NCB31AK-105X	C CAPACITOR	1uF 10V K	
IC921	KE455U2557MFP	IC			C9131	NCB31HK-103X	C CAPACITOR	0.01uF 50V K	
IC941	NJM072BV-X	IC			C9132	NCB31HK-103X	C CAPACITOR	0.01uF 50V K	
IC945	TC74VHCT04AFT-X	IC			C9133	NCB31HK-103X	C CAPACITOR	0.01uF 50V K	
IC951	TPS61500PWP-X	IC			C9134	NCB31HK-103X	C CAPACITOR	0.01uF 50V K	
IC952	TC7S08FU-X	IC C.M.			C9201	NCB31CK-104X	C CAPACITOR	0.1uF 16V K	
IC970	TC4066BFT-X	IC(DIGITAL)			C9202	NCB31CK-104X	C CAPACITOR	0.1uF 16V K	
IC973	NJM4565E-X	IC			C9231	NCB31CK-104X	C CAPACITOR	0.1uF 16V K	
IC975	TC4066BFT-X	IC(DIGITAL)			C9232	NCB31CK-104X	C CAPACITOR	0.1uF 16V K	
IC980	NAU0004-005	RF MODULE			C9233	NCB31CK-104X	C CAPACITOR	0.1uF 16V K	
IC983	NJM4565E-X	IC			C9234	NCB31CK-104X	C CAPACITOR	0.1uF 16V K	
IC985	NJM2229M-X	IC			C9261	NCB31CK-104X	C CAPACITOR	0.1uF 16V K	
IC986	NJM2505AF-X	IC			C9262	NCB31CK-104X	C CAPACITOR	0.1uF 16V K	
IC987	NJM2505AF-X	IC			C9291	NCB31CK-104X	C CAPACITOR	0.1uF 16V K	
IC991	BA50BC0FP-X	IC			C9292	NCB31CK-104X	C CAPACITOR	0.1uF 16V K	
IC992	NJM2871BF33-X	IC			C9301	NBE41AM-226X	TA E CAPACITOR	22uF 10V M	
IC993	BA00BC0WFP-X	IC(DIGITAL)			C9401	NBE41DM-106X	TA E CAPACITOR	10uF 20V M	
Q9101	2SA2119K-X	TRANSISTOR			C9402	NCJ11EK-106X-R	C CAPACITOR	10uF 25V	
Q9102	2SC5938A/B/-X	TRANSISTOR			C9403	NCB31CK-104X	C CAPACITOR	0.1uF 16V K	
Q9111	2SA2119K-X	TRANSISTOR			C9404	NCB31CK-104X	C CAPACITOR	0.1uF 16V K	
					C9405	NCB31EK-104X	C CAPACITOR	0.1uF 25V K	
					C9406	NCJ11EK-106X-R	C CAPACITOR	10uF 25V	
					C9407	NCB31EK-104X	C CAPACITOR	0.1uF 25V K	
					C9408	NCJ11EK-106X-R	C CAPACITOR	10uF 25V	
					C9409	NCB31AK-474X	C CAPACITOR	0.47uF 10V K	
					C9410	NCB31HK-104X	C CAPACITOR	0.1uF 50V K	
					C9411	NCB31CK-104X	C CAPACITOR	0.1uF 16V K	

△ Symbol No.	Part No.	Part Name	Description	Local	△ Symbol No.	Part No.	Part Name	Description	Local
C9451	NCB31CK-104X	C CAPACITOR	0.1uF 16V K		R8303	NRSA63J-222X	MG RESISTOR	2.2kΩ 1/16W J	
C9481	NCB31CK-104X	C CAPACITOR	0.1uF 16V K		R8304	NRSA63J-222X	MG RESISTOR	2.2kΩ 1/16W J	
C9482	NCB31HK-104X	C CAPACITOR	0.1uF 50V K		R8305	NRSA63J-222X	MG RESISTOR	2.2kΩ 1/16W J	
C9483	NCB31CK-104X	C CAPACITOR	0.1uF 16V K		R8306	NRSA63J-222X	MG RESISTOR	2.2kΩ 1/16W J	
C9484	NCB31CK-104X	C CAPACITOR	0.1uF 16V K		R8601	NRSA63J-104X	MG RESISTOR	100kΩ 1/16W J	
C9501	NBE41DM-106X	TA E CAPACITOR	10uF 20V M		R8602	NRSA63J-104X	MG RESISTOR	100kΩ 1/16W J	
C9502	NCJ11EK-106X-R	C CAPACITOR	10uF 25V		R8603	NRSA63J-104X	MG RESISTOR	100kΩ 1/16W J	
C9503	NCJ11EK-106X-R	C CAPACITOR	10uF 25V		R9001	NRSA63J-101X	MG RESISTOR	100Ω 1/16W J	
C9504	NCB31CK-105X	C CAPACITOR	1uF 16V K		R9002	NRSA63J-101X	MG RESISTOR	100Ω 1/16W J	
C9505	NCB31EK-223X	C CAPACITOR	0.022uF 25V K		R9003	NRSA63J-102X	MG RESISTOR	1kΩ 1/16W J	
C9507	NCB31CK-474X	C CAPACITOR	0.47uF 16V K		R9004	NRSA63J-102X	MG RESISTOR	1kΩ 1/16W J	
C9508	NEAG1CM-476X	E CAPACITOR	47uF 16V M		R9005	NRSA63J-102X	MG RESISTOR	1kΩ 1/16W J	
C9509	NEAG1CM-476X	E CAPACITOR	47uF 16V M		R9006	NRSA63J-102X	MG RESISTOR	1kΩ 1/16W J	
C9510	NEAF1CM-107X	E CAPACITOR	100uF 16V M		R9007	NRSA63J-102X	MG RESISTOR	1kΩ 1/16W J	
C9511	NEAG1CM-476X	E CAPACITOR	47uF 16V M		R9008	NRSA63J-102X	MG RESISTOR	1kΩ 1/16W J	
C9512	NCB31CK-104X	C CAPACITOR	0.1uF 16V K		R9009	NRSA63J-102X	MG RESISTOR	1kΩ 1/16W J	
C9513	NCJ11EK-106X-R	C CAPACITOR	10uF 25V		R9010	NRSA63J-102X	MG RESISTOR	1kΩ 1/16W J	
C9514	NCJ11EK-106X-R	C CAPACITOR	10uF 25V		R9011	NRSA63J-102X	MG RESISTOR	1kΩ 1/16W J	
C9515	NCJ11EK-106X-R	C CAPACITOR	10uF 25V		R9012	NRSA63J-0R0X	MG RESISTOR	0Ω 1/10W J	
C9516	NCJ11EK-106X-R	C CAPACITOR	10uF 25V		R9013	NRSA63J-472X	MG RESISTOR	4.7kΩ 1/16W J	
C9702	NCB31CK-104X	C CAPACITOR	0.1uF 16V K		R9014	NRSA63J-472X	MG RESISTOR	4.7kΩ 1/16W J	
C9703	NCJ21CK-106X-R	C CAPACITOR	10uF 16V K		R9015	NRSA63J-103X	MG RESISTOR	10kΩ 1/16W J	
C9704	NCJ21CK-106X-R	C CAPACITOR	10uF 16V K		R9021	NRSA63J-0R0X	MG RESISTOR	0Ω 1/10W J	
C9705	NCB31HK-103X	C CAPACITOR	0.01uF 50V K		R9022	NRSA63J-102X	MG RESISTOR	1kΩ 1/16W J	
C9731	NCB31CK-104X	C CAPACITOR	0.1uF 16V K		R9023	NRSA63J-102X	MG RESISTOR	1kΩ 1/16W J	
C9733	NBE41AM-476X	TA E CAPACITOR	47uF 10V M		R9024	NRSA63J-102X	MG RESISTOR	1kΩ 1/16W J	
C9736	NCB31CK-105X	C CAPACITOR	1uF 16V K		R9025	NRSA63J-102X	MG RESISTOR	1kΩ 1/16W J	
C9737	NCB31CK-105X	C CAPACITOR	1uF 16V K		R9026	NRSA63J-561X	MG RESISTOR	560Ω 1/16W J	
C9742	NCB31CK-105X	C CAPACITOR	1uF 16V K		R9027	NRSA63J-561X	MG RESISTOR	560Ω 1/16W J	
C9743	NCB31CK-105X	C CAPACITOR	1uF 16V K		R9028	NRSA63J-101X	MG RESISTOR	100Ω 1/16W J	
C9744	NDC31HJ-101X	C CAPACITOR	100pF 50V J		R9029	NRSA63J-102X	MG RESISTOR	1kΩ 1/16W J	
C9745	NDC31HJ-101X	C CAPACITOR	100pF 50V J		R9030	NRSA63J-102X	MG RESISTOR	1kΩ 1/16W J	
C9746	NDC31HJ-101X	C CAPACITOR	100pF 50V J		R9033	NRSA63J-103X	MG RESISTOR	10kΩ 1/16W J	
C9747	NDC31HJ-101X	C CAPACITOR	100pF 50V J		R9041	NRSA63J-102X	MG RESISTOR	1kΩ 1/16W J	
C9752	NCB31CK-104X	C CAPACITOR	0.1uF 16V K		R9042	NRSA63J-102X	MG RESISTOR	1kΩ 1/16W J	
C9801	NEAF0JM-107X	E CAPACITOR	100uF 6.3V M		R9043	NRSA63J-102X	MG RESISTOR	1kΩ 1/16W J	
C9802	NCB31CK-104X	C CAPACITOR	0.1uF 16V K		R9044	NRSA63J-102X	MG RESISTOR	1kΩ 1/16W J	
C9811	NCB31CK-105X	C CAPACITOR	1uF 16V K		R9045	NRSA63J-102X	MG RESISTOR	1kΩ 1/16W J	
C9812	NCB31CK-105X	C CAPACITOR	1uF 16V K		R9049	NRSA63J-102X	MG RESISTOR	1kΩ 1/16W J	
C9813	NCB31CK-105X	C CAPACITOR	1uF 16V K		R9050	NRSA63J-102X	MG RESISTOR	1kΩ 1/16W J	
C9814	NCB31CK-105X	C CAPACITOR	1uF 16V K		R9051	NRSA63J-102X	MG RESISTOR	1kΩ 1/16W J	
C9815	NCB31HK-103X	C CAPACITOR	0.01uF 50V K		R9052	NRSA63J-102X	MG RESISTOR	1kΩ 1/16W J	
C9831	NCB31CK-104X	C CAPACITOR	0.1uF 16V K		R9053	NRSA63J-822X	MG RESISTOR	8.2kΩ 1/16W J	
C9833	NBE41AM-226X	TA E CAPACITOR	22uF 10V M		R9062	NRSA63J-103X	MG RESISTOR	10kΩ 1/16W J	
C9834	NCB31CK-105X	C CAPACITOR	1uF 16V K		R9063	NRSA63J-103X	MG RESISTOR	10kΩ 1/16W J	
C9836	NCB31CK-105X	C CAPACITOR	1uF 16V K		R9064	NRSA63J-222X	MG RESISTOR	2.2kΩ 1/16W J	
C9838	NDC31HJ-101X	C CAPACITOR	100pF 50V J		R9065	NRSA63J-102X	MG RESISTOR	1kΩ 1/16W J	
C9840	NDC31HJ-331X	C CAPACITOR	330pF 50V J		R9066	NRSA63J-472X	MG RESISTOR	4.7kΩ 1/16W J	
C9842	NDC31HJ-101X	C CAPACITOR	100pF 50V J		R9067	NRSA63J-473X	MG RESISTOR	47kΩ 1/16W J	
C9851	NBE51CM-476X	TA E CAPACITOR	47uF 16V M		R9068	NRSA63J-102X	MG RESISTOR	1kΩ 1/16W J	
C9852	NCB31CK-104X	C CAPACITOR	0.1uF 16V K		R9081	NRSA63J-0R0X	MG RESISTOR	0Ω 1/10W J	
C9853	NCB31HK-103X	C CAPACITOR	0.01uF 50V K		R9082	NRSA63J-0R0X	MG RESISTOR	0Ω 1/10W J	
C9854	NDC31HJ-101X	C CAPACITOR	100pF 50V J		R9091	NRSA02J-101X	MG RESISTOR	100Ω 1/10W J	
C9855	NCB31HK-102X	C CAPACITOR	1000pF 50V K		R9101	NRSA63J-332X	MG RESISTOR	3.3kΩ 1/16W J	
C9856	NCB31HK-102X	C CAPACITOR	1000pF 50V K		R9102	NRSA63J-223X	MG RESISTOR	22kΩ 1/16W J	
C9857	NBE41AM-106X	TA E CAPACITOR	10uF 10V M		R9103	NRSA63J-222X	MG RESISTOR	2.2kΩ 1/16W J	
C9861	NCB31CK-105X	C CAPACITOR	1uF 16V K		R9104	NRSA63J-332X	MG RESISTOR	3.3kΩ 1/16W J	
C9862	NCB31CK-105X	C CAPACITOR	1uF 16V K		R9105	NRSA63J-223X	MG RESISTOR	22kΩ 1/16W J	
C9863	NCB31CK-105X	C CAPACITOR	1uF 16V K		R9106	NRSA63J-222X	MG RESISTOR	2.2kΩ 1/16W J	
C9871	NBE41CM-226X	TA E CAPACITOR	22uF 16V M		R9107	NRSA63J-474X	MG RESISTOR	470kΩ 1/16W J	
C9872	NCB31CK-105X	C CAPACITOR	1uF 16V K		R9111	NRSA63J-332X	MG RESISTOR	3.3kΩ 1/16W J	
C9873	NCJ21CK-106X-R	C CAPACITOR	10uF 16V K		R9112	NRSA63J-223X	MG RESISTOR	22kΩ 1/16W J	
C9874	NCJ21CK-106X-R	C CAPACITOR	10uF 16V K		R9113	NRSA63J-222X	MG RESISTOR	2.2kΩ 1/16W J	
C9911	NBE51CM-476X	TA E CAPACITOR	47uF 16V M		R9114	NRSA63J-332X	MG RESISTOR	3.3kΩ 1/16W J	
C9912	NCB31CK-104X	C CAPACITOR	0.1uF 16V K		R9115	NRSA63J-223X	MG RESISTOR	22kΩ 1/16W J	
C9913	NBE41CM-226X	TA E CAPACITOR	22uF 16V M		R9116	NRSA63J-222X	MG RESISTOR	2.2kΩ 1/16W J	
C9914	NCB31HK-103X	C CAPACITOR	0.01uF 50V K		R9117	NRSA63J-474X	MG RESISTOR	470kΩ 1/16W J	
C9921	NCB31CK-104X	C CAPACITOR	0.1uF 16V K		R9122	NRSA63J-223X	MG RESISTOR	22kΩ 1/16W J	
C9922	NBE41AM-226X	TA E CAPACITOR	22uF 10V M		R9123	NRSA63J-223X	MG RESISTOR	22kΩ 1/16W J	
C9923	NCB31CK-104X	C CAPACITOR	0.1uF 16V K		R9125	NRSA63J-222X	MG RESISTOR	2.2kΩ 1/16W J	
C9924	NCB31HK-103X	C CAPACITOR	0.01uF 50V K		R9201	NRSA63J-101X	MG RESISTOR	100Ω 1/16W J	
C9931	NCB31CK-104X	C CAPACITOR	0.1uF 16V K		R9202	NRSA63J-101X	MG RESISTOR	100Ω 1/16W J	
C9932	NBE41DM-106X	TA E CAPACITOR	10uF 20V M		R9203	NRSA63J-101X	MG RESISTOR	100Ω 1/16W J	
C9933	NCJ11EK-106X-R	C CAPACITOR	10uF 25V		R9204	NRSA63J-101X	MG RESISTOR	100Ω 1/16W J	
C9934	NCJ11EK-106X-R	C CAPACITOR	10uF 25V		R9205	NRSA63J-101X	MG RESISTOR	100Ω 1/16W J	
					R9206	NRSA63J-101X	MG RESISTOR	100Ω 1/16W J	
R8301	NRSA63J-101X	MG RESISTOR	100Ω 1/16W J		R9210	NRSA63J-101X	MG RESISTOR	100Ω 1/16W J	
R8302	NRSA63J-101X	MG RESISTOR	100Ω 1/16W J		R9211	NRSA63J-101X	MG RESISTOR	100Ω 1/16W J	

△ Symbol No.	Part No.	Part Name	Description	Local	△ Symbol No.	Part No.	Part Name	Description	Local
R9212	NRSA63J-101X	MG RESISTOR	100Ω 1/16W J		R9461	NRSA63D-240X	MG RESISTOR	24Ω 1/16W D	
R9213	NRSA63J-101X	MG RESISTOR	100Ω 1/16W J		R9462	NRSA63D-221X	MG RESISTOR	220Ω 1/16W D	
R9214	NRSA63J-101X	MG RESISTOR	100Ω 1/16W J		R9463	NRSA63D-820X	MG RESISTOR	82Ω 1/16W D	
R9215	NRSA63J-101X	MG RESISTOR	100Ω 1/16W J		R9464	NRSA63D-470X	MG RESISTOR	47Ω 1/16W D	
R9219	NRSA63J-101X	MG RESISTOR	100Ω 1/16W J		R9465	NRSA63D-390X	MG RESISTOR	39Ω 1/16W D	
R9220	NRSA63J-101X	MG RESISTOR	100Ω 1/16W J		R9466	NRSA63D-430X	MG RESISTOR	43Ω 1/16W D	
R9221	NRSA63J-101X	MG RESISTOR	100Ω 1/16W J		R9467	NRSA63D-470X	MG RESISTOR	47Ω 1/16W D	
R9222	NRSA63J-101X	MG RESISTOR	100Ω 1/16W J		R9468	NRSA63D-680X	MG RESISTOR	68Ω 1/16W D	
R9223	NRSA63J-101X	MG RESISTOR	100Ω 1/16W J		R9469	NRSA63D-161X	MG RESISTOR	160Ω 1/16W D	
R9224	NRSA63J-101X	MG RESISTOR	100Ω 1/16W J		R9470	NRSA63D-201X	MG RESISTOR	200Ω 1/16W D	
R9232	NRSA63J-101X	MG RESISTOR	100Ω 1/16W J		R9471	NRSA63D-100X	MG RESISTOR	10Ω 1/16W D	
R9233	NRSA63J-101X	MG RESISTOR	100Ω 1/16W J		R9472	NRSA63D-100X	MG RESISTOR	10Ω 1/16W D	
R9234	NRSA63J-101X	MG RESISTOR	100Ω 1/16W J		R9501	NRSA63J-205X	MG RESISTOR	2MΩ 1/16W J	
R9235	NRSA63J-101X	MG RESISTOR	100Ω 1/16W J		R9502	NRSA63J-134X	MG RESISTOR	130kΩ 1/16W J	
R9236	NRSA63J-101X	MG RESISTOR	100Ω 1/16W J		R9503	NRSA63J-2R0X	MG RESISTOR	2Ω 1/16W J	
R9240	NRSA63J-101X	MG RESISTOR	100Ω 1/16W J		R9504	NRSA63J-2R0X	MG RESISTOR	2Ω 1/16W J	
R9247	NRSA63J-103X	MG RESISTOR	10kΩ 1/16W J		R9505	NRSA63D-392X	MG RESISTOR	3.9kΩ 1/16W D	
R9248	NRSA63J-103X	MG RESISTOR	10kΩ 1/16W J		R9506	NRSA63D-393X	MG RESISTOR	39kΩ 1/16W D	
R9251	NRSA63J-103X	MG RESISTOR	10kΩ 1/16W J		R9507	NRSA63J-0R0X	MG RESISTOR	0Ω 1/10W J	
R9253	NRSA63J-103X	MG RESISTOR	10kΩ 1/16W J		R9511	NRSA63J-222X	MG RESISTOR	2.2kΩ 1/16W J	
R9255	NRSA63J-103X	MG RESISTOR	10kΩ 1/16W J		R9512	NRSA63J-222X	MG RESISTOR	2.2kΩ 1/16W J	
R9256	NRSA63J-102X	MG RESISTOR	1kΩ 1/16W J		R9513	NRSA63J-102X	MG RESISTOR	1kΩ 1/16W J	
R9257	NRSA63J-101X	MG RESISTOR	100Ω 1/16W J		R9514	NRSA63J-1R0X	MG RESISTOR	1Ω 1/16W J	
R9261	NRSA63J-101X	MG RESISTOR	100Ω 1/16W J		R9515	NRSA63J-1R0X	MG RESISTOR	1Ω 1/16W J	
R9262	NRSA63J-101X	MG RESISTOR	100Ω 1/16W J		R9516	NRSA63J-102X	MG RESISTOR	1kΩ 1/16W J	
R9263	NRSA63J-101X	MG RESISTOR	100Ω 1/16W J		R9601	NRSA02J-682X	MG RESISTOR	6.8kΩ 1/10W J	
R9264	NRSA63J-101X	MG RESISTOR	100Ω 1/16W J		R9602	NRSA02J-222X	MG RESISTOR	2.2kΩ 1/10W J	
R9265	NRSA63J-101X	MG RESISTOR	100Ω 1/16W J		R9603	NRSA02J-332X	MG RESISTOR	3.3kΩ 1/10W J	
R9266	NRSA63J-101X	MG RESISTOR	100Ω 1/16W J		R9701	NRSA63J-101X	MG RESISTOR	100Ω 1/16W J	
R9268	NRSA63J-101X	MG RESISTOR	100Ω 1/16W J		R9702	NRSA63J-101X	MG RESISTOR	100Ω 1/16W J	
R9269	NRSA63J-101X	MG RESISTOR	100Ω 1/16W J		R9703	NRSA63J-101X	MG RESISTOR	100Ω 1/16W J	
R9270	NRSA63J-101X	MG RESISTOR	100Ω 1/16W J		R9704	NRSA63J-224X	MG RESISTOR	220kΩ 1/16W J	
R9271	NRSA63J-101X	MG RESISTOR	100Ω 1/16W J		R9706	NRSA63J-224X	MG RESISTOR	220kΩ 1/16W J	
R9272	NRSA63J-101X	MG RESISTOR	100Ω 1/16W J		R9710	NRSA63J-224X	MG RESISTOR	220kΩ 1/16W J	
R9273	NRSA63J-101X	MG RESISTOR	100Ω 1/16W J		R9712	NRSA63J-103X	MG RESISTOR	10kΩ 1/16W J	
R9275	NRSA63J-101X	MG RESISTOR	100Ω 1/16W J		R9713	NRSA63J-103X	MG RESISTOR	10kΩ 1/16W J	
R9276	NRSA63J-101X	MG RESISTOR	100Ω 1/16W J		R9714	NRSA63J-222X	MG RESISTOR	2.2kΩ 1/16W J	
R9277	NRSA63J-101X	MG RESISTOR	100Ω 1/16W J		R9715	NRSA63J-103X	MG RESISTOR	10kΩ 1/16W J	
R9278	NRSA63J-101X	MG RESISTOR	100Ω 1/16W J		R9716	NRSA63J-750X	MG RESISTOR	75Ω 1/16W J	
R9279	NRSA63J-101X	MG RESISTOR	100Ω 1/16W J		R9717	NRSA63J-222X	MG RESISTOR	2.2kΩ 1/16W J	
R9280	NRSA63J-101X	MG RESISTOR	100Ω 1/16W J		R9718	NRSA63J-222X	MG RESISTOR	2.2kΩ 1/16W J	
R9281	NRSA63J-101X	MG RESISTOR	100Ω 1/16W J		R9719	NRSA63J-103X	MG RESISTOR	10kΩ 1/16W J	
R9282	NRSA63J-101X	MG RESISTOR	100Ω 1/16W J		R9720	NRSA63J-750X	MG RESISTOR	75Ω 1/16W J	
R9284	NRSA63J-101X	MG RESISTOR	100Ω 1/16W J		R9721	NRSA63J-222X	MG RESISTOR	2.2kΩ 1/16W J	
R9292	NRSA63J-103X	MG RESISTOR	10kΩ 1/16W J		R9723	NRSA63J-0R0X	MG RESISTOR	0Ω 1/10W J	
R9298	NRSA63J-103X	MG RESISTOR	10kΩ 1/16W J		R9731	NRSA63J-103X	MG RESISTOR	10kΩ 1/16W J	
R9299	NRSA63J-103X	MG RESISTOR	10kΩ 1/16W J		R9732	NRSA63J-103X	MG RESISTOR	10kΩ 1/16W J	
R9300	NRSA63J-103X	MG RESISTOR	10kΩ 1/16W J		R9733	NRSA63J-223X	MG RESISTOR	22kΩ 1/16W J	
R9301	NRSA63J-103X	MG RESISTOR	10kΩ 1/16W J		R9734	NRSA63J-223X	MG RESISTOR	22kΩ 1/16W J	
R9302	NRSA63J-103X	MG RESISTOR	10kΩ 1/16W J		R9735	NRSA63J-303X	MG RESISTOR	30kΩ 1/16W J	
R9306	NRSA63J-101X	MG RESISTOR	100Ω 1/16W J		R9736	NRSA63J-303X	MG RESISTOR	30kΩ 1/16W J	
R9307	NRSA63J-103X	MG RESISTOR	10kΩ 1/16W J		R9737	NRSA63J-104X	MG RESISTOR	100kΩ 1/16W J	
R9308	NRSA63J-103X	MG RESISTOR	10kΩ 1/16W J		R9743	NRSA63J-303X	MG RESISTOR	30kΩ 1/16W J	
R9309	NRSA63J-101X	MG RESISTOR	100Ω 1/16W J		R9744	NRSA63J-303X	MG RESISTOR	30kΩ 1/16W J	
R9310	NRSA63J-101X	MG RESISTOR	100Ω 1/16W J		R9745	NRSA63J-223X	MG RESISTOR	22kΩ 1/16W J	
R9311	NRSA63J-101X	MG RESISTOR	100Ω 1/16W J		R9746	NRSA63J-223X	MG RESISTOR	22kΩ 1/16W J	
R9316	NRSA63J-101X	MG RESISTOR	100Ω 1/16W J		R9753	NRSA63J-103X	MG RESISTOR	10kΩ 1/16W J	
R9322	NRSA63J-0R0X	MG RESISTOR	0Ω 1/10W J		R9754	NRSA63J-103X	MG RESISTOR	10kΩ 1/16W J	
R9401	NRSA63D-103X	MG RESISTOR	10kΩ 1/16W D		R9811	NRSA63J-331X	MG RESISTOR	330Ω 1/16W J	
R9402	NRSA63D-103X	MG RESISTOR	10kΩ 1/16W D		R9812	NRSA63J-331X	MG RESISTOR	330Ω 1/16W J	
R9403	NRSA63D-223X	MG RESISTOR	22kΩ 1/16W D		R9813	NRSA63J-331X	MG RESISTOR	330Ω 1/16W J	
R9404	NRSA63J-390X	MG RESISTOR	39Ω 1/16W J		R9814	NRSA63J-331X	MG RESISTOR	330Ω 1/16W J	
R9405	NRSA63J-104X	MG RESISTOR	100kΩ 1/16W J		R9818	NRSA63J-0R0X	MG RESISTOR	0Ω 1/10W J	
R9406	NRSA63D-183X	MG RESISTOR	18kΩ 1/16W D		R9819	NRSA63J-0R0X	MG RESISTOR	0Ω 1/10W J	
R9407	NRSA63J-474X	MG RESISTOR	470kΩ 1/16W J		R9820	NRSA63J-0R0X	MG RESISTOR	0Ω 1/10W J	
R9408	NRSA63J-474X	MG RESISTOR	470kΩ 1/16W J		R9831	NRSA63J-104X	MG RESISTOR	100kΩ 1/16W J	
R9409	NRSA63J-101X	MG RESISTOR	100Ω 1/16W J		R9832	NRSA63J-104X	MG RESISTOR	100kΩ 1/16W J	
R9410	NRSA63J-103X	MG RESISTOR	10kΩ 1/16W J		R9833	NRSA63J-243X	MG RESISTOR	24kΩ 1/16W J	
R9411	NRSA63J-103X	MG RESISTOR	10kΩ 1/16W J		R9835	NRSA63J-243X	MG RESISTOR	24kΩ 1/16W J	
R9412	NRSA63J-390X	MG RESISTOR	39Ω 1/16W J		R9837	NRSA63J-223X	MG RESISTOR	22kΩ 1/16W J	
R9413	NRSA63J-2R2X	MG RESISTOR	2.2Ω 1/16W J		R9839	NRSA63J-223X	MG RESISTOR	22kΩ 1/16W J	
R9414	NRSA63J-2R2X	MG RESISTOR	2.2Ω 1/16W J		R9852	NRSA63J-684X	MG RESISTOR	680kΩ 1/16W J	
R9415	NRSA63J-390X	MG RESISTOR	39Ω 1/16W J		R9853	NRSA63J-302X	MG RESISTOR	3kΩ 1/16W J	
R9416	NRSA63D-473X	MG RESISTOR	47kΩ 1/16W D		R9854	NRSA63J-103X	MG RESISTOR	10kΩ 1/16W J	
R9417	NRSA63D-243X	MG RESISTOR	24kΩ 1/16W D		R9855	NRSA63J-333X	MG RESISTOR	33kΩ 1/16W J	
R9418	NRSA63J-103X	MG RESISTOR	10kΩ 1/16W J		R9856	NRSA63J-302X	MG RESISTOR	3kΩ 1/16W J	
R9452	NRSA63J-0R0X	MG RESISTOR	0Ω 1/10W J		R9857	NRSA63J-103X	MG RESISTOR	10kΩ 1/16W J	
R9453	NRSA63J-0R0X	MG RESISTOR	0Ω 1/10W J		R9859	NRSA63J-103X	MG RESISTOR	10kΩ 1/16W J	

△ Symbol No.	Part No.	Part Name	Description	Local	△ Symbol No.	Part No.	Part Name	Description	Local
R9861	NRSA63J-224X	MG RESISTOR	220kΩ 1/16W J		IC398	JVM440B	IC		
R9862	NRSA63J-224X	MG RESISTOR	220kΩ 1/16W J		IC399	V54C3128164VCI7	IC		
R9863	NRSA63J-101X	MG RESISTOR	100Ω 1/16W J		IC399	or M12L128168A-7TG	IC(DIGITAL)		
R9864	NRSA63J-101X	MG RESISTOR	100Ω 1/16W J		IC399	or HY57V281620FTH	IC(DIGITAL)		
R9871	NRSA63J-0R0X	MG RESISTOR	0Ω 1/10W J		IC400	AK4387ET-X	IC		
R9874	NRSA63J-101X	MG RESISTOR	100Ω 1/16W J		IC481	BR24S32FVT-W-X	IC(DIGITAL)		
R9875	NRSA63J-101X	MG RESISTOR	100Ω 1/16W J		IC501	TC74LCX373FT-X	IC(DIGITAL)		
R9876	NRSA02J-0R0X	MG RESISTOR	0Ω 1/10W J		IC502	TC74LCX373FT-X	IC(DIGITAL)		
R9931	NRSA63D-133X	MG RESISTOR	13kΩ 1/16W D						
R9932	NRSA63D-222X	MG RESISTOR	2.2kΩ 1/16W D		Q2	RT1N141U-X	DIGI TRANSISTOR		
L8501	NQR0536-001X	CHOKE COIL			Q4	2SC3928A/R/-X	TRANSISTOR		
L9001	NQL79GM-100X	COIL	10uH M		Q4	or 2SD601A/R/-X	TRANSISTOR		
L9201	NQL79GM-100X	COIL	10uH M		Q7	2SC3928A/R/-X	TRANSISTOR		
L9401	NQL79GM-100X	COIL	10uH M		Q7	or 2SD601A/R/-X	TRANSISTOR		
L9402	NQL79GM-100X	COIL	10uH M		Q101	2SB1424/R/-W	TRANSISTOR		
L9501	NQLZ007-101X	CHOKE COIL	100uH		Q102	2SC4617/R/-X	TRANSISTOR		
L9502	NQL52EM-100X	COIL	10uH M		Q103	2SB1424/R/-W	TRANSISTOR		
L9801	NQL79GM-100X	COIL	10uH M		Q104	2SC4617/R/-X	TRANSISTOR		
L9851	NRSA02J-0R0X	MG RESISTOR	0Ω 1/10W J		Q105	2SC4617/R/-X	TRANSISTOR		
L9861	NQL79GM-470X	COIL	47uH M		Q106	2SK3546J-X	MOS FET		
L9871	NQL79GM-470X	COIL	47uH M		Q107	2SK3546J-X	MOS FET		
L9911	NQL79GM-1R0X	COIL	1uH M		Q301	RT1N441U-X	DIGI TRANSISTOR		
					Q302	RT1N441U-X	DIGI TRANSISTOR		
CN801	QGB0525L1-14X	CONNECTOR	B-B (1-14)		D6	AN1102W-6-X	IR LED		
CN802	QGF0536C2-10W	CONNECTOR	FFC/FPC (1-10)		D7	AN1102W-6-X	IR LED		
CN841	QGB0525M1-14X	CONNECTOR	B-B (1-14)		D9	PS1192HB-22-X	PHOTO TRANSISTOR		
CN851	QGF0536C2-07W	CONNECTOR	FFC/FPC (1-7)						
CN861	QGF0536C2-06W	CONNECTOR	FFC/FPC (1-6)		D11	PS1192HB-22-X	PHOTO TRANSISTOR		
CN901	QGF0534F3-40X	CONNECTOR	FFC/FPC (1-40)						
CN902	QGF0534F3-10X	CONNECTOR	FFC/FPC (1-10)						
CN911	QGF1039F2-04X	CONNECTOR	FFC/FPC (1-4)		C2	NCB31CK-104X	C CAPACITOR	0.1uF 16V K	
CN921	QGB0812L2-30X	CONNECTOR	B-B (1-30)		C3	NCB31CK-104X	C CAPACITOR	0.1uF 16V K	
CN941	QGF0534F2-60X	CONNECTOR	FFC/FPC (1-60)		C4	NCB31CK-104X	C CAPACITOR	0.1uF 16V K	
CN951	QGF0568F1-10W	CONNECTOR	FFC/FPC (1-10)		C5	NCB31CK-104X	C CAPACITOR	0.1uF 16V K	
CN971	QGF0534F3-06X	CONNECTOR	FFC/FPC (1-6)		C6	NCB31CK-104X	C CAPACITOR	0.1uF 16V K	
EP851	NNZ0129-001X	EARTH TERMINAL			C7	NCB31CK-104X	C CAPACITOR	0.1uF 16V K	
EP861	NNZ0129-001X	EARTH TERMINAL			C8	NCB31CK-104X	C CAPACITOR	0.1uF 16V K	
EP991	NNZ0129-001X	EARTH TERMINAL			C9	NCB31CK-104X	C CAPACITOR	0.1uF 16V K	
EP992	NNZ0129-001X	EARTH TERMINAL			C11	NCB31CK-104X	C CAPACITOR	0.1uF 16V K	
EP993	NNZ0129-001X	EARTH TERMINAL			C12	NCB31CK-104X	C CAPACITOR	0.1uF 16V K	
EP994	NNZ0129-001X	EARTH TERMINAL			C13	NCB31CK-104X	C CAPACITOR	0.1uF 16V K	
EP995	NNZ0129-001X	EARTH TERMINAL			C14	NCB31CK-104X	C CAPACITOR	0.1uF 16V K	
F9001	NMFZ018-R75X-E	FUSE	0.75A	A	C15	NCB31CK-104X	C CAPACITOR	0.1uF 16V K	
△ F9001	NMFZ018-R75X-E	FUSE	0.75A	B	C16	NCB31CK-104X	C CAPACITOR	0.1uF 16V K	
F9801	NMFZ018-R75X-E	FUSE	0.75A	A	C17	NCB31CK-104X	C CAPACITOR	0.1uF 16V K	
△ F9801	NMFZ018-R75X-E	FUSE	0.75A	B	C18	NCB31CK-104X	C CAPACITOR	0.1uF 16V K	
J8501	QNZ1007-001	USB JACK			C19	NCB31CK-104X	C CAPACITOR	0.1uF 16V K	
J8601	QNS0288-002	AUX JACK			C20	NCB31CK-104X	C CAPACITOR	0.1uF 16V K	
K8501	NRSA63J-0R0X	MG RESISTOR	0Ω 1/10W J		C21	NBE41AM-226X	TA E CAPACITOR	22uF 10V M	
K8502	NRSA63J-0R0X	MG RESISTOR	0Ω 1/10W J		C22	NBE41AM-476X	TA E CAPACITOR	47uF 10V M	
K8503	NRSA63J-0R0X	MG RESISTOR	0Ω 1/10W J		C23	NBE41AM-476X	TA E CAPACITOR	47uF 10V M	
K8504	NRSA63J-0R0X	MG RESISTOR	0Ω 1/10W J		C24	NCB31CK-104X	C CAPACITOR	0.1uF 16V K	
K8505	NRSA63J-0R0X	MG RESISTOR	0Ω 1/10W J		C25	NCB31CK-104X	C CAPACITOR	0.1uF 16V K	
K8601	NRSA63J-0R0X	MG RESISTOR	0Ω 1/10W J		C26	NCB31CK-104X	C CAPACITOR	0.1uF 16V K	
K8602	NRSA63J-0R0X	MG RESISTOR	0Ω 1/10W J		C31	NCB31HK-681X	C CAPACITOR	680pF 50V K	
K8603	NRSA63J-0R0X	MG RESISTOR	0Ω 1/10W J		C32	NCB31HK-561X	C CAPACITOR	560pF 50V K	
K8604	NRSA63J-0R0X	MG RESISTOR	0Ω 1/10W J		C60	NCB31HK-103X	C CAPACITOR	0.01uF 50V K	
TH901	NAD0028-103X	N THERMISTOR	10kΩ		C63	NBE20JM-226X	TA E CAPACITOR	22uF 6.3V M	
VA851	NAF0020-001X	VARISTOR	V		C65	NCB31CK-104X	C CAPACITOR	0.1uF 16V K	
VA852	NAF0019-001X	VARISTOR	V		C66	NCB31CK-104X	C CAPACITOR	0.1uF 16V K	
VA853	NAF0019-001X	VARISTOR	V		C67	NCB31HK-103X	C CAPACITOR	0.01uF 50V K	
X9001	NAX0872-001X	CRYSTAL			C68	NCB31CK-104X	C CAPACITOR	0.1uF 16V K	
					C69	NCB21CK-105X	C CAPACITOR	1uF 16V K	
					C70	NCB31CK-104X	C CAPACITOR	0.1uF 16V K	
					C71	NCB31CK-104X	C CAPACITOR	0.1uF 16V K	
					C72	NCB31CK-105X	C CAPACITOR	1uF 16V K	
					C73	NCB31CK-104X	C CAPACITOR	0.1uF 16V K	
					C74	NCB31CK-104X	C CAPACITOR	0.1uF 16V K	
					C75	NCB31CK-104X	C CAPACITOR	0.1uF 16V K	
					C76	NCB31CK-104X	C CAPACITOR	0.1uF 16V K	
					C77	NCB31CK-104X	C CAPACITOR	0.1uF 16V K	
					C78	NCB31CK-104X	C CAPACITOR	0.1uF 16V K	
					C79	NCB31CK-104X	C CAPACITOR	0.1uF 16V K	
					C80	NCB21CK-105X	C CAPACITOR	1uF 16V K	
					C81	NDC31HJ-120X	C CAPACITOR	12pF 50V J	
					C82	NDC31HJ-150X	C CAPACITOR	15pF 50V J	
					C83	NCB31CK-104X	C CAPACITOR	0.1uF 16V K	

## Front end board (FMU-XD3-22D)

Block No. [1][0]

△ Symbol No.	Part No.	Part Name	Description	Local
IC1	BD8215EFV-X	IC		
IC3	MM3233CF-X	IC		
IC301	MM2DS0018MA	IC		
IC302	MM1701CH-X	IC		
IC304	S-80828CNNB-G-W	IC		



△ Symbol No.	Part No.	Part Name	Description	Local	△ Symbol No.	Part No.	Part Name	Description	Local
C84	NCB31CK-333X	C CAPACITOR	0.033uF 16V K		C241	NCB31CK-104X	C CAPACITOR	0.1uF 16V K	
C85	NCB31CK-104X	C CAPACITOR	0.1uF 16V K		R34	NRSA63J-0R0X	MG RESISTOR	0Ω 1/10W J	
C86	NCB31CK-104X	C CAPACITOR	0.1uF 16V K		R46	NRSA6AD-103W	MG RESISTOR	10kΩ 1/16W D	
C87	NCB31CK-104X	C CAPACITOR	0.1uF 16V K		R47	NRSA6AD-103W	MG RESISTOR	10kΩ 1/16W D	
C88	NCB31CK-104X	C CAPACITOR	0.1uF 16V K		R49	NRSA63J-0R0X	MG RESISTOR	0Ω 1/10W J	
C89	NCB31HK-183X	C CAPACITOR	0.018uF 50V K		R52	NRSA6AD-103W	MG RESISTOR	10kΩ 1/16W D	
C90	NCB31HK-562X	C CAPACITOR	5600pF 50V K		R54	NRSA6AD-910W	MG RESISTOR	91Ω 1/16W D	
C91	NCB31CK-104X	C CAPACITOR	0.1uF 16V K		R55	NRSA6AD-910W	MG RESISTOR	91Ω 1/16W D	
C92	NCB21CK-105X	C CAPACITOR	1uF 16V K		R56	NRSA63D-432X	MG RESISTOR	4.3kΩ 1/16W D	
C93	NCB21CK-105X	C CAPACITOR	1uF 16V K		R57	NRSA63D-242X	MG RESISTOR	2.4kΩ 1/16W D	
C99	NCB31CK-104X	C CAPACITOR	0.1uF 16V K		R58	NRS125J-390X	MG RESISTOR	39Ω 1/2W J	
C100	NCB31CK-684X	C CAPACITOR	0.68uF 16V K		R59	NRSA63J-2R2X	MG RESISTOR	2.2Ω 1/16W J	
C101	NCB31CK-104X	C CAPACITOR	0.1uF 16V K		R60	NRSA6AD-102W	MG RESISTOR	1kΩ 1/16W D	
C102	NCB31CK-684X	C CAPACITOR	0.68uF 16V K		R61	NRSA6AD-471W	MG RESISTOR	470Ω 1/16W D	
C106	NCB31CK-104X	C CAPACITOR	0.1uF 16V K		R62	NRSA6AD-471W	MG RESISTOR	470Ω 1/16W D	
C109	NCB21CK-105X	C CAPACITOR	1uF 16V K		R64	NRSA63D-432X	MG RESISTOR	4.3kΩ 1/16W D	
C113	NCB21CK-105X	C CAPACITOR	1uF 16V K		R65	NRSA63D-242X	MG RESISTOR	2.4kΩ 1/16W D	
C117	NCB21CK-105X	C CAPACITOR	1uF 16V K		R66	NRS125J-120X	MG RESISTOR	12Ω 1/2W J	
C118	NCB31HK-103X	C CAPACITOR	0.01uF 50V K		R67	NRSA63J-2R2X	MG RESISTOR	2.2Ω 1/16W J	
C121	NCB31CK-104X	C CAPACITOR	0.1uF 16V K		R68	NRSA6AD-102W	MG RESISTOR	1kΩ 1/16W D	
C122	NCB31CK-104X	C CAPACITOR	0.1uF 16V K		R69	NRSA63J-471X	MG RESISTOR	470Ω 1/16W J	
C125	NCB31CK-104X	C CAPACITOR	0.1uF 16V K		R70	NRSA6AD-331W	MG RESISTOR	330Ω 1/16W D	
C126	NCB31CK-104X	C CAPACITOR	0.1uF 16V K		R79	NRSA6AD-104W	MG RESISTOR	100kΩ 1/16W D	
C127	NCB31CK-104X	C CAPACITOR	0.1uF 16V K		R92	NRSA63J-473X	MG RESISTOR	47kΩ 1/16W J	
C128	NCB31CK-104X	C CAPACITOR	0.1uF 16V K		R93	NRSA63J-203X	MG RESISTOR	20kΩ 1/16W J	
C129	NCB31CK-104X	C CAPACITOR	0.1uF 16V K		R94	NRSA63J-223X	MG RESISTOR	22kΩ 1/16W J	
C130	NCB31CK-104X	C CAPACITOR	0.1uF 16V K		R99	NRSA63J-0R0X	MG RESISTOR	0Ω 1/10W J	
C131	NCB31CK-104X	C CAPACITOR	0.1uF 16V K		R100	NRSA6AD-103W	MG RESISTOR	10kΩ 1/16W D	
C132	NCB31CK-104X	C CAPACITOR	0.1uF 16V K		R107	NRSA63J-152X	MG RESISTOR	1.5kΩ 1/16W J	
C133	NCB31CK-104X	C CAPACITOR	0.1uF 16V K		R112	NRSA63J-223X	MG RESISTOR	22kΩ 1/16W J	
C134	NCB31CK-104X	C CAPACITOR	0.1uF 16V K		R117	NRSA6AD-103W	MG RESISTOR	10kΩ 1/16W D	
C135	NCB31CK-104X	C CAPACITOR	0.1uF 16V K		R120	NRSA63J-152X	MG RESISTOR	1.5kΩ 1/16W J	
C136	NCB31CK-104X	C CAPACITOR	0.1uF 16V K		R122	NRSA6AD-103W	MG RESISTOR	10kΩ 1/16W D	
C137	NBE20JM-226X	TA E CAPACITOR	22uF 6.3V M		R128	NRSA6AD-270W	MG RESISTOR	27Ω 1/16W D	
C139	NBE20JM-226X	TA E CAPACITOR	22uF 6.3V M		R129	NRSA6AD-103W	MG RESISTOR	10kΩ 1/16W D	
C142	NDC31HJ-471X	C CAPACITOR	470pF 50V J		R131	NRSA6AD-102W	MG RESISTOR	1kΩ 1/16W D	
C143	NBE20JM-226X	TA E CAPACITOR	22uF 6.3V M		R132	NRSA6AD-102W	MG RESISTOR	1kΩ 1/16W D	
C145	NBE41AM-476X	TA E CAPACITOR	47uF 10V M		R133	NRSA6AD-223W	MG RESISTOR	22kΩ 1/16W D	
C148	NCB31HK-331X	C CAPACITOR	330pF 50V K		R135	NRSA63J-102X	MG RESISTOR	1kΩ 1/16W J	
C149	NDC31HJ-471X	C CAPACITOR	470pF 50V J		R137	NRSA63J-0R0X	MG RESISTOR	0Ω 1/10W J	
C151	NCB31CK-473X	C CAPACITOR	0.047uF 16V K		R139	NRSA63J-0R0X	MG RESISTOR	0Ω 1/10W J	
C155	NDC31HJ-101X	C CAPACITOR	100pF 50V J		R141	NRSA63D-332X	MG RESISTOR	3.3kΩ 1/16W D	
C156	NCB31CK-104X	C CAPACITOR	0.1uF 16V K		R142	NRSA63J-0R0X	MG RESISTOR	0Ω 1/10W J	
C161	NDC31HJ-471X	C CAPACITOR	470pF 50V J		R143	NRSA6AD-101W	MG RESISTOR	100Ω 1/16W D	
C162	NDC31HJ-471X	C CAPACITOR	470pF 50V J		R144	NRSA6AD-103W	MG RESISTOR	10kΩ 1/16W D	
C164	NCB21CK-105X	C CAPACITOR	1uF 16V K		R145	NRSA6AD-103W	MG RESISTOR	10kΩ 1/16W D	
C167	NDC31HJ-272X	C CAPACITOR	2700pF 50V J		R147	NRSA63J-104X	MG RESISTOR	100kΩ 1/16W J	
C170	NCB31CK-104X	C CAPACITOR	0.1uF 16V K		R152	NRSA63J-0R0X	MG RESISTOR	0Ω 1/10W J	
C173	NCB31CK-104X	C CAPACITOR	0.1uF 16V K		R153	NRSA63D-162X	MG RESISTOR	1.6kΩ 1/16W D	
C174	NCB31CK-104X	C CAPACITOR	0.1uF 16V K		R155	NRSA63J-0R0X	MG RESISTOR	0Ω 1/10W J	
C175	NBE51CM-476X	TA E CAPACITOR	47uF 16V M		R156	NRSA63J-0R0X	MG RESISTOR	0Ω 1/10W J	
C176	NCB31CK-104X	C CAPACITOR	0.1uF 16V K		R160	NRSA63D-303X	MG RESISTOR	30kΩ 1/16W D	
C177	NCB31CK-104X	C CAPACITOR	0.1uF 16V K		R163	NRSA6AD-103W	MG RESISTOR	10kΩ 1/16W D	
C178	NCB31CK-104X	C CAPACITOR	0.1uF 16V K		R164	NRSA63J-181X	MG RESISTOR	180Ω 1/16W J	
C197	NCB31CK-104X	C CAPACITOR	0.1uF 16V K		R165	NRSA6AD-473W	MG RESISTOR	47kΩ 1/16W D	
C199	NCB31CK-104X	C CAPACITOR	0.1uF 16V K		R166	NRSA6AD-473W	MG RESISTOR	47kΩ 1/16W D	
C200	NBE40JM-476X	TA E CAPACITOR	47uF 6.3V M		R167	NRSA6AD-473W	MG RESISTOR	47kΩ 1/16W D	
C201	NCB31CK-104X	C CAPACITOR	0.1uF 16V K		R168	NRSA6AD-473W	MG RESISTOR	47kΩ 1/16W D	
C205	NCB21AK-225X	C CAPACITOR	2.2uF 10V K		R170	NRSA6AD-471W	MG RESISTOR	470Ω 1/16W D	
C206	NDC31HJ-222X	C CAPACITOR	2200pF 50V J		R171	NRSA63J-105X	MG RESISTOR	1MΩ 1/16W J	
C211	NCB31CK-104X	C CAPACITOR	0.1uF 16V K		R172	NRSA6AD-101W	MG RESISTOR	100Ω 1/16W D	
C215	NDC31HJ-181X	C CAPACITOR	180pF 50V J		R173	NRSA6AD-101W	MG RESISTOR	100Ω 1/16W D	
C216	NCB31CK-104X	C CAPACITOR	0.1uF 16V K		R174	NRSA6AD-101W	MG RESISTOR	100Ω 1/16W D	
C218	NCB31CK-104X	C CAPACITOR	0.1uF 16V K		R177	NRSA63J-0R0X	MG RESISTOR	0Ω 1/10W J	
C219	NCB31CK-223X	C CAPACITOR	0.022uF 16V K		R178	NRSA63J-0R0X	MG RESISTOR	0Ω 1/10W J	
C220	NCB31HK-102X	C CAPACITOR	1000pF 50V K		R181	NQR0129-002X	FERRITE BEADS		
C222	NCB31CK-104X	C CAPACITOR	0.1uF 16V K		R189	NRSA6AD-331W	MG RESISTOR	330Ω 1/16W D	
C223	NCB31HK-102X	C CAPACITOR	1000pF 50V K		R190	NRSA6AD-331W	MG RESISTOR	330Ω 1/16W D	
C224	NCB21AK-225X	C CAPACITOR	2.2uF 10V K		R195	NRSA6AD-103W	MG RESISTOR	10kΩ 1/16W D	
C225	NBE51CM-476X	TA E CAPACITOR	47uF 16V M		R201	NRSA63J-102X	MG RESISTOR	1kΩ 1/16W J	
C228	NCB31HK-102X	C CAPACITOR	1000pF 50V K		R205	NRSA6AD-103W	MG RESISTOR	10kΩ 1/16W D	
C229	NCB31CK-223X	C CAPACITOR	0.022uF 16V K		R211	NRSA6AD-473W	MG RESISTOR	47kΩ 1/16W D	
C232	NBE51CM-476X	TA E CAPACITOR	47uF 16V M		R213	NRSA63J-100X	MG RESISTOR	10Ω 1/16W J	
C233	NCB21CK-105X	C CAPACITOR	1uF 16V K		R215	NRSA63D-122X	MG RESISTOR	1.2kΩ 1/16W D	
C235	NCB31HK-102X	C CAPACITOR	1000pF 50V K		R216	NRSA63D-122X	MG RESISTOR	1.2kΩ 1/16W D	
C237	NDC31HJ-221X	C CAPACITOR	220pF 50V J		R217	NRSA6AD-100W	MG RESISTOR	10Ω 1/16W D	
C238	NCB31CK-104X	C CAPACITOR	0.1uF 16V K		R219	NRSA63J-150X	MG RESISTOR	15Ω 1/16W J	
C240	NCB31CK-104X	C CAPACITOR	0.1uF 16V K						

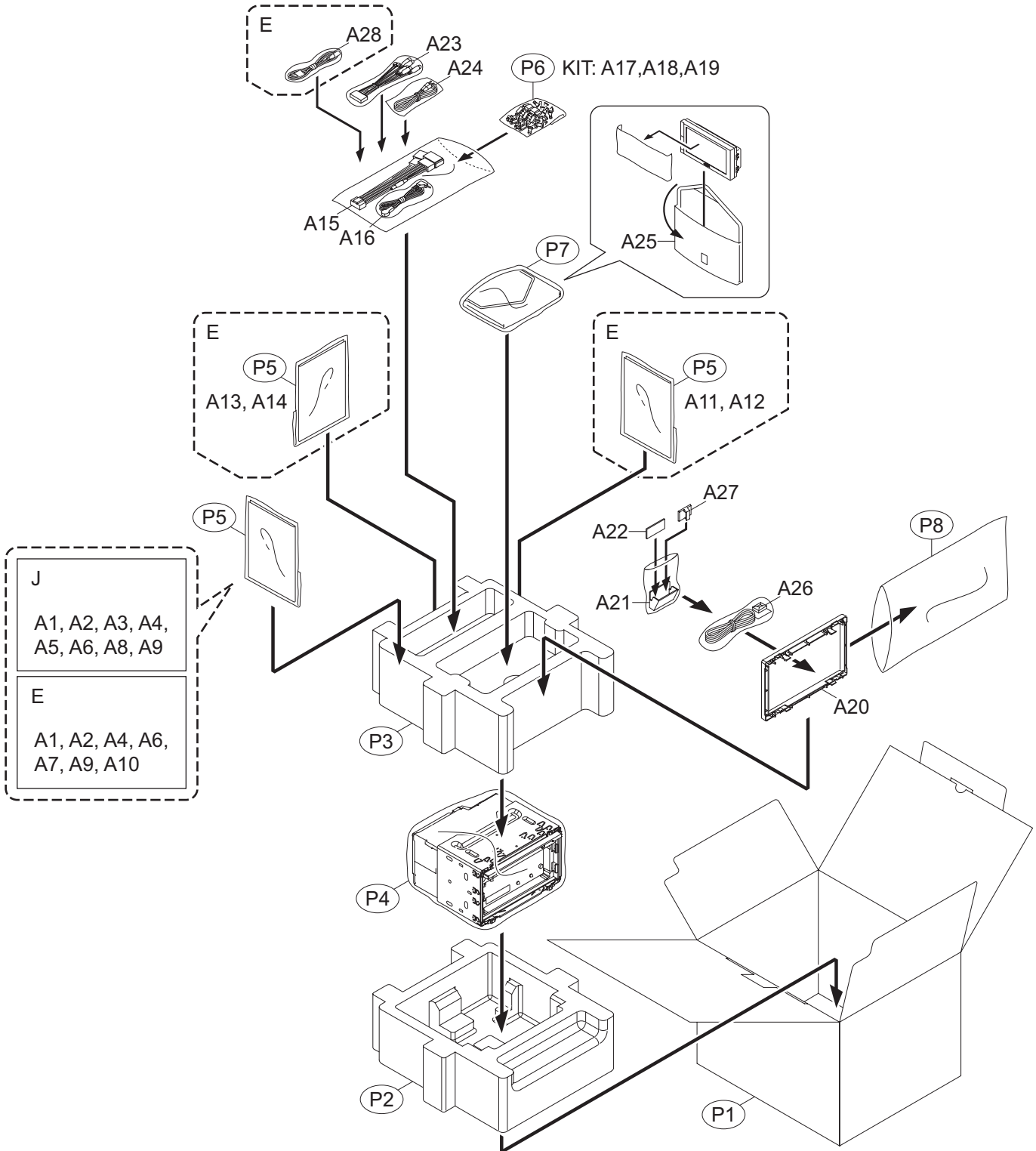
△ Symbol No.	Part No.	Part Name	Description	Local	△ Symbol No.	Part No.	Part Name	Description	Local
R220	NRSA63J-0R0X	MG RESISTOR	0Ω 1/10W J		S1	NSW0313-001X	DETECT SWITCH		
R223	NRSA63J-4R7X	MG RESISTOR	4.7Ω 1/16W J		TH491	NAD0025-103X	N THERMISTOR	10kΩ	
R226	NRSA6AD-473W	MG RESISTOR	47kΩ 1/16W D		X351	NAX0741-001X	CRYSTAL	27.000MHz	
R229	NRSA63J-0R0X	MG RESISTOR	0Ω 1/10W J						
R233	NRSA6AD-103W	MG RESISTOR	10kΩ 1/16W D						
R264	NRSA63J-0R0X	MG RESISTOR	0Ω 1/10W J						
R265	NRSA6AD-103W	MG RESISTOR	10kΩ 1/16W D						
R267	NRSA63D-472X	MG RESISTOR	4.7kΩ 1/16W D						
R268	NRSA63J-0R0X	MG RESISTOR	0Ω 1/10W J						
R309	NRS125J-R47X	MG RESISTOR	0.47Ω 1/2W J						
R310	NRSA6AD-333W	MG RESISTOR	33kΩ 1/16W D						
R311	NRSA63J-391X	MG RESISTOR	390Ω 1/16W J						
R318	NRSA63J-203X	MG RESISTOR	20kΩ 1/16W J						
R319	NRSA6AD-622W	MG RESISTOR	6.2kΩ 1/16W D						
R323	NRSA6AD-391W	MG RESISTOR	390Ω 1/16W D						
R324	NRSA63D-682X	MG RESISTOR	6.8kΩ 1/16W D						
R325	NRSA63D-753X	MG RESISTOR	75kΩ 1/16W D						
R329	NRS125J-R47X	MG RESISTOR	0.47Ω 1/2W J						
R330	NRSA63J-0R0X	MG RESISTOR	0Ω 1/10W J						
R352	NRSA6AD-102W	MG RESISTOR	1kΩ 1/16W D						
R357	NRS125J-R22X	MG RESISTOR	0.22Ω 1/2W J						
R359	NRSA6AD-243W	MG RESISTOR	24kΩ 1/16W D						
R362	NRSA63J-103X	MG RESISTOR	10kΩ 1/16W J						
R364	NRSA63J-391X	MG RESISTOR	390Ω 1/16W J						
R365	NRSA6AD-103W	MG RESISTOR	10kΩ 1/16W D						
R366	NRS125J-R22X	MG RESISTOR	0.22Ω 1/2W J						
R367	NRSA6AD-104W	MG RESISTOR	100kΩ 1/16W D						
R369	NRS125J-R22X	MG RESISTOR	0.22Ω 1/2W J						
R371	NRSA63J-0R0X	MG RESISTOR	0Ω 1/10W J						
R375	NRSA6AD-152W	MG RESISTOR	1.5kΩ 1/16W D						
R376	NRSA6AD-822W	MG RESISTOR	8.2kΩ 1/16W D						
R379	NRSA63D-332X	MG RESISTOR	3.3kΩ 1/16W D						
R380	NRSA63J-223X	MG RESISTOR	22kΩ 1/16W J						
R382	NRSA6AD-102W	MG RESISTOR	1kΩ 1/16W D						
R383	NRSA63J-223X	MG RESISTOR	22kΩ 1/16W J						
R384	NRSA6AD-104W	MG RESISTOR	100kΩ 1/16W D						
R386	NRSA6AD-184W	MG RESISTOR	180kΩ 1/16W D						
R387	NRSA63D-473X	MG RESISTOR	47kΩ 1/16W D						
R391	NRSA6AD-822W	MG RESISTOR	8.2kΩ 1/16W D						
R392	NRSA63J-103X	MG RESISTOR	10kΩ 1/16W J						
R393	NRSA6AD-103W	MG RESISTOR	10kΩ 1/16W D						
R394	NRSA63J-273X	MG RESISTOR	27kΩ 1/16W J						
R397	NRSA6AD-101W	MG RESISTOR	100Ω 1/16W D						
R400	NRSA6AD-153W	MG RESISTOR	15kΩ 1/16W D						
R402	NRSA6AD-473W	MG RESISTOR	47kΩ 1/16W D						
R403	NRSA63J-101X	MG RESISTOR	100Ω 1/16W J						
R406	NRS125J-R22X	MG RESISTOR	0.22Ω 1/2W J						
R417	NRSA63J-183X	MG RESISTOR	18kΩ 1/16W J						
R419	NRSA63D-104X	MG RESISTOR	100kΩ 1/16W D						
R420	NRSA6AD-184W	MG RESISTOR	180kΩ 1/16W D						
L302	NQLJ6GK-100X	COIL	10uH K						
L303	NRSA02J-0R0X	MG RESISTOR	0Ω 1/10W J						
CN1	QGF0523F3-20W	CONNECTOR	FFC/FPC (1-20)						
CN2	QGA1002F1-03X	CONNECTOR	W-B (1-3)						
CN101	QGF0522F2-26W	CONNECTOR	FFC/FPC (1-26)						
CN403	QGF0534F3-50X	CONNECTOR	FFC/FPC (1-50)						
K101	NQR0007-002X	FERRITE BEADS							
K102	NQR0007-002X	FERRITE BEADS							
K103	NQR0502-001X	FERRITE BEADS							
K108	NQR0129-002X	FERRITE BEADS							
K113	NQR0502-001X	FERRITE BEADS							
K114	NRSA63J-0R0X	MG RESISTOR	0Ω 1/10W J						
K115	NRSA63J-0R0X	MG RESISTOR	0Ω 1/10W J						
K117	NRSA63J-0R0X	MG RESISTOR	0Ω 1/10W J						
K118	NRSA63J-0R0X	MG RESISTOR	0Ω 1/10W J						
K119	NRSA63J-0R0X	MG RESISTOR	0Ω 1/10W J						
K120	NRSA63J-0R0X	MG RESISTOR	0Ω 1/10W J						
K121	NRSA63J-0R0X	MG RESISTOR	0Ω 1/10W J						
K131	NQR0022-005X	FERRITE BEADS							
K132	NQR0022-005X	FERRITE BEADS							
K133	NQR0022-005X	FERRITE BEADS							
K135	NRSA63J-0R0X	MG RESISTOR	0Ω 1/10W J						
K136	NRSA63J-0R0X	MG RESISTOR	0Ω 1/10W J						
K137	NRSA63J-0R0X	MG RESISTOR	0Ω 1/10W J						
K141	NRSA63J-0R0X	MG RESISTOR	0Ω 1/10W J						
K142	NRSA63J-0R0X	MG RESISTOR	0Ω 1/10W J						

<MEMO>

# Packing materials and accessories parts list

Block No. M 3 M M

No additional / supplemental order of WARRANTY CARDS are available.



The parts without symbol number are not service.

# Packing and Accessories

Block No. [M][3][M][M]

△	Symbol No.	Part No.	Part Name	Description	Local
	A 1	LVT1982-001A	INST BOOK	ENG SPA FRE	A
	A 1	LVT1983-001A	INST BOOK	ENG GER FRE	B
	A 2	LVT1982-002A	INSTALL MANUAL	ENG SPA FRE	A
	A 2	LVT1983-004A	INSTALL MANUAL	ENG GER FRE	B
	A 3	BT-51044-1	REGISTRATION CARD		A
	A 4	-----	WARRANTY CARD	BT-51018-6	A
	A 4	-----	WARRANTY CARD	BT-54039-1	B
	A 5	-----	WARRANTY CARD	BT-52008-1	A
	A 6	LVT1672-003A	INST SHEET		
	A 7	LVT1985-001A	SHEET		B
	A 8	LVT1920-002A	CAUTION SHEET		A
	A 9	LVT2058-001A	NOTICE SHEET		
	A 10	VND3050-002	IDENTITY CARD		B
	A 11	LVT1983-002A	INST BOOK	DUT SPA ITA	B
	A 12	LVT1983-005A	INSTALL MANUAL	DUT SPA ITA	B
	A 13	LVT1983-003A	INST BOOK	SWE DAN POR	B
	A 14	LVT1983-006A	INSTALL MANUAL	SWE DAN POR	B
△	A 15	QAM1180-001	POWER CORD		A
△	A 15	QAM1181-001	POWER CORD		B
	A 16	QAN0096-001	MICROPHONE		
	A 17	LV41478-001A	CORD CONNECTER		A
	A 17	LV41478-001A	CORD CONNECTER	(x2)	B
	A 18	QYSSSP5008ZA	SCREW	M5 x 8mm(x8)	
	A 19	QYSDSP5008ZA	SCREW	M5 x 8mm(x8)	
	A 20	LV22463-002A	TRIM PLATE		
	A 21	LV38834-001A	GPS HOLDER		B
	A 22	LV45363-001A	D.F.TAPE SHEET		B
	A 23	QAM1215-001	CAR CABLE		A
	A 23	QAM1214-001	CAR CABLE		B
	A 24	QAM1086-002	AUX VIDEO CABLE		
	A 25	LV45104-001A	SOFT CASE		
	A 26	CM-NT1GPSD	ANTENNA		
	A 27	LV45371-001A	CABLE CLAMP		B
	A 28	QAM1256-001	CAR CABLE		B
	KIT	SRW-MA393	SCREW PARTS KIT	A17 A18 A19	A
	KIT	SRW-AVX800E	SCREW PARTS KIT	A17 A18 A19	B
	P 1	LV38712-002A	CARTON		A
	P 1	LV38713-003A	CARTON		B
	P 2	LV11651-002A	CUSHION BOTTOM		
	P 3	LV11650-001A	CUSHION TOP		
	P 4	QPC03504015PB	POLY BAG	35cm x 40cm	
	P 5	FSPG4002-001	POLY BAG		A
	P 5	FSPG4002-001	POLY BAG	(x3)	B
	P 6	QPA00801205	POLY BAG	8cm x 12cm	
	P 7	FSPG4002-001	POLY BAG		
	P 8	QPA01703505PB	POLY BAG	17cm x 35cm	

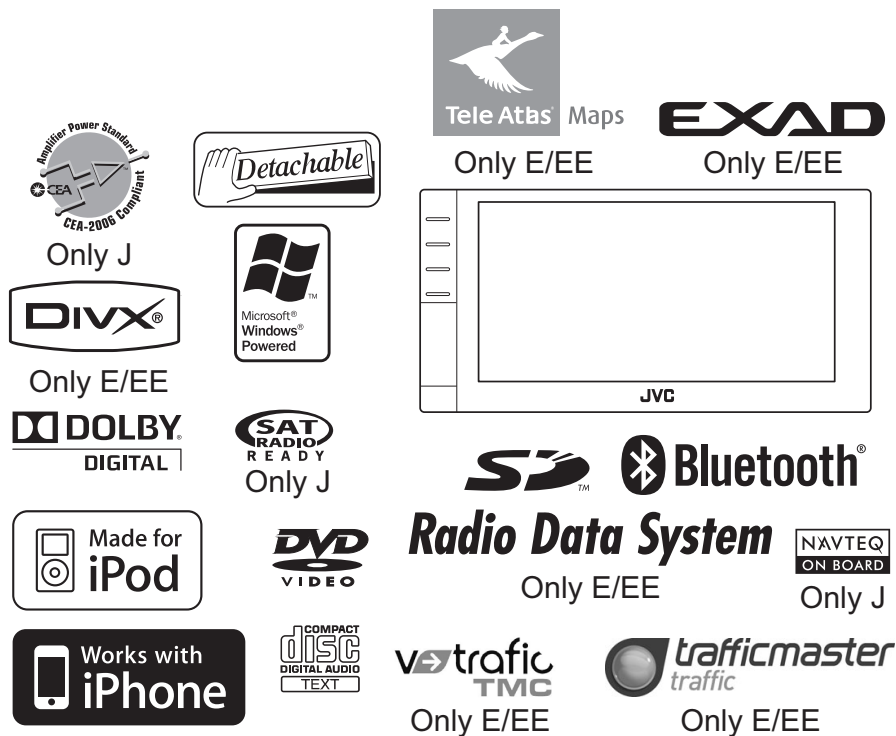
# JVC

## SCHEMATIC DIAGRAMS

### GPS NAVIGATION SYSTEM

## KW-NT1J, KW-NT1E

DVD-ROM No.SML2009S2



Lead free solder used in the board (material : Sn-Ag-Cu, melting point : 219 Centigrade)  
Lead free solder used in the board (material : Sn-Cu, melting point : 230 Centigrade)

### Contents

Block diagram .....	2-1
Standard schematic diagrams .....	2-3
Printed circuit boards .....	2-17 to 22

## Safety precaution

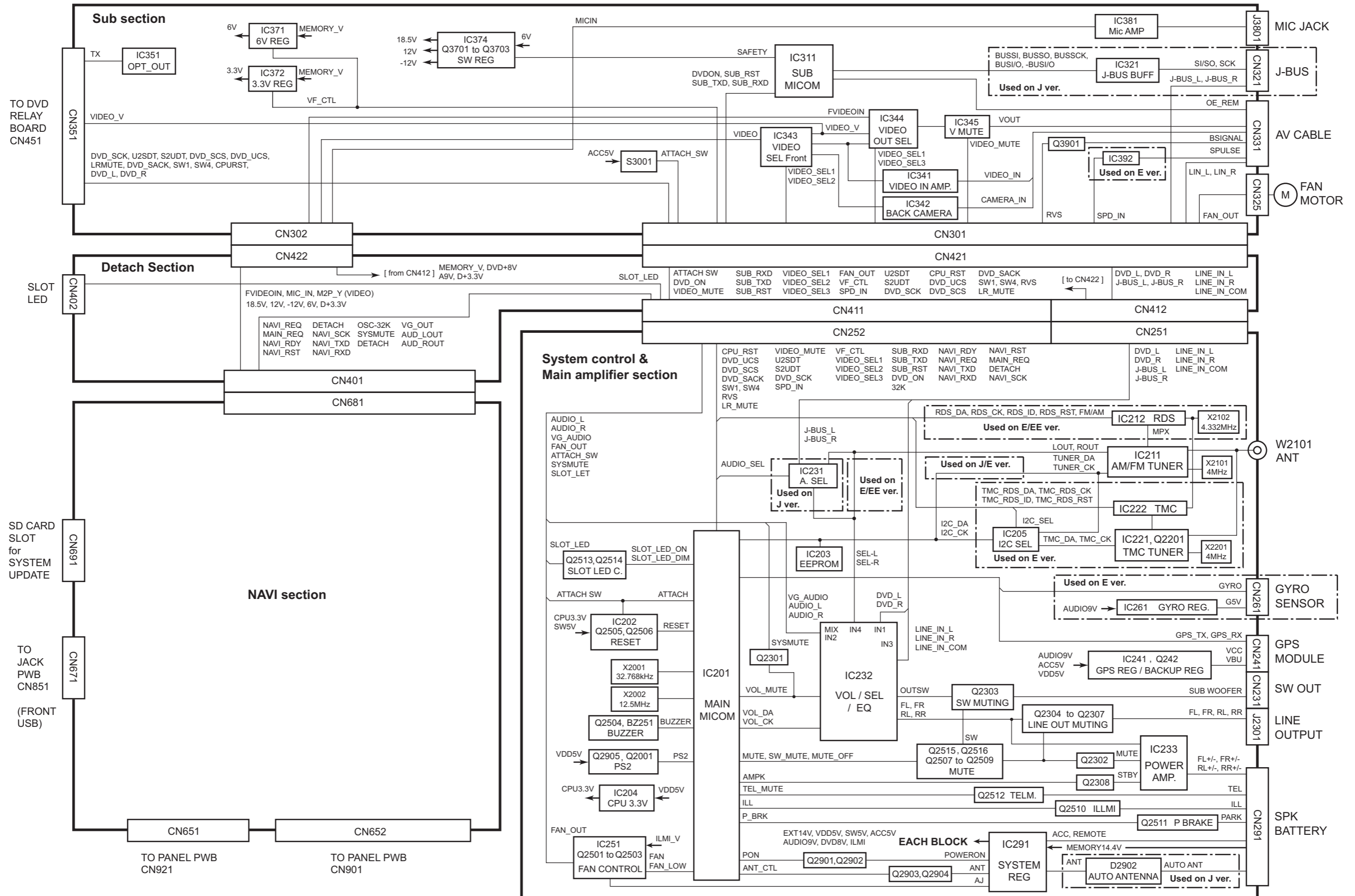


**CAUTION** Burrs formed during molding may be left over on some parts of the chassis. Therefore, pay attention to such burrs in the case of performing repair of this system.



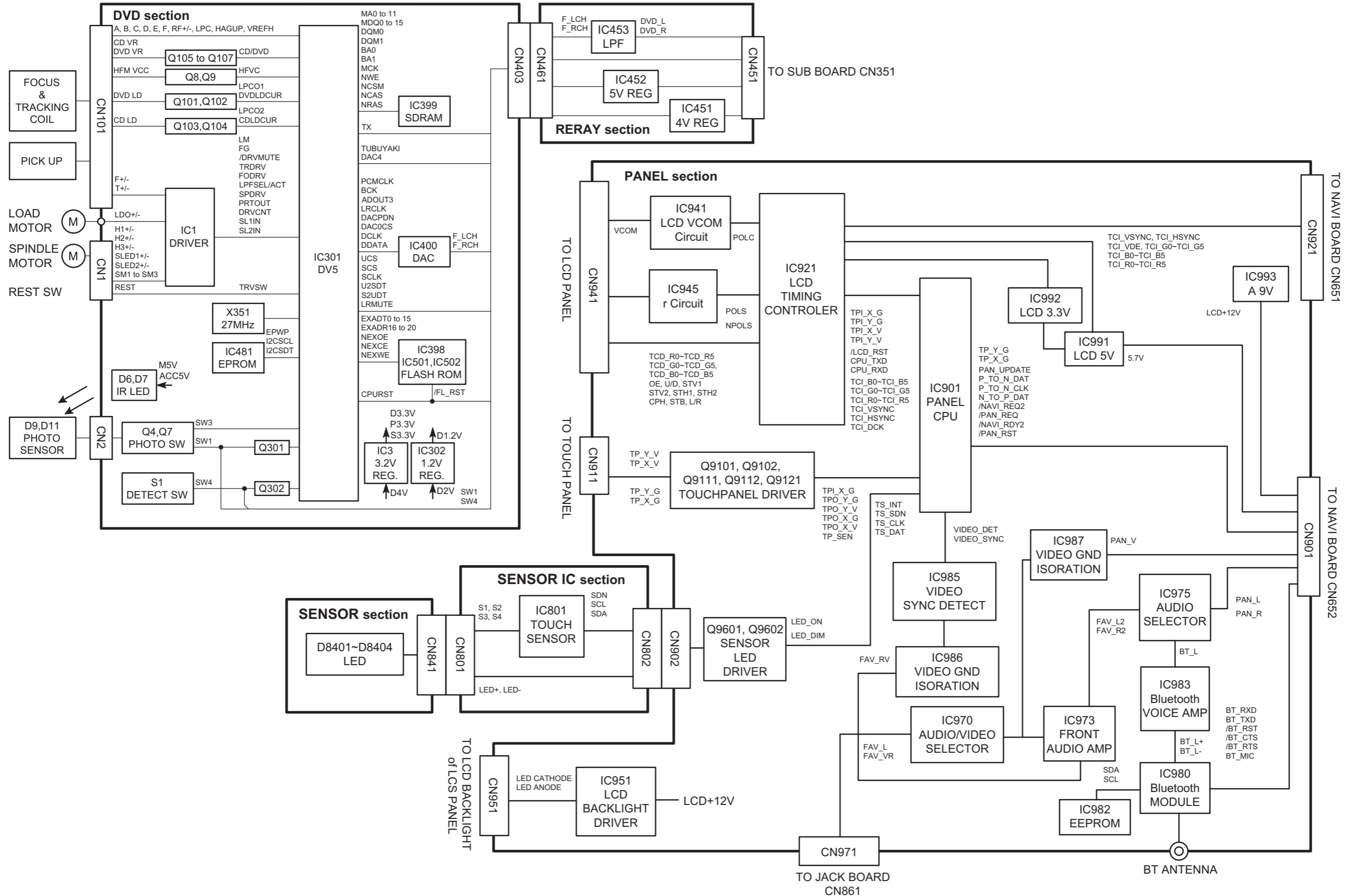
**CAUTION** Please use enough caution not to see the beam directly or touch it in case of an adjustment or operation check.

# Block diagram (Main)





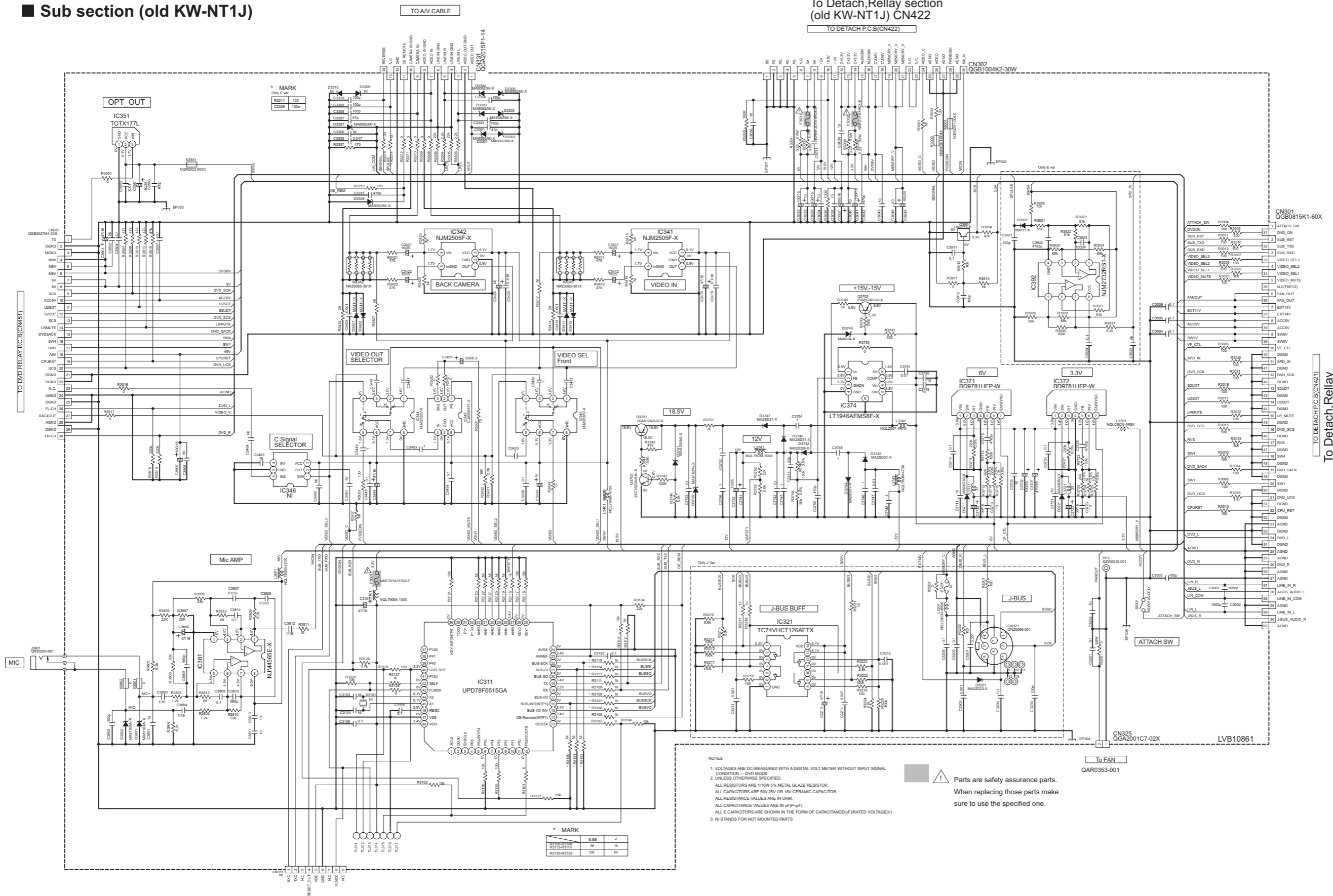
# Block diagram (Panel/DVD)





■ Sub section (old KW-NT1J)

To Detach,Relay section (old KW-NT1J) CN422

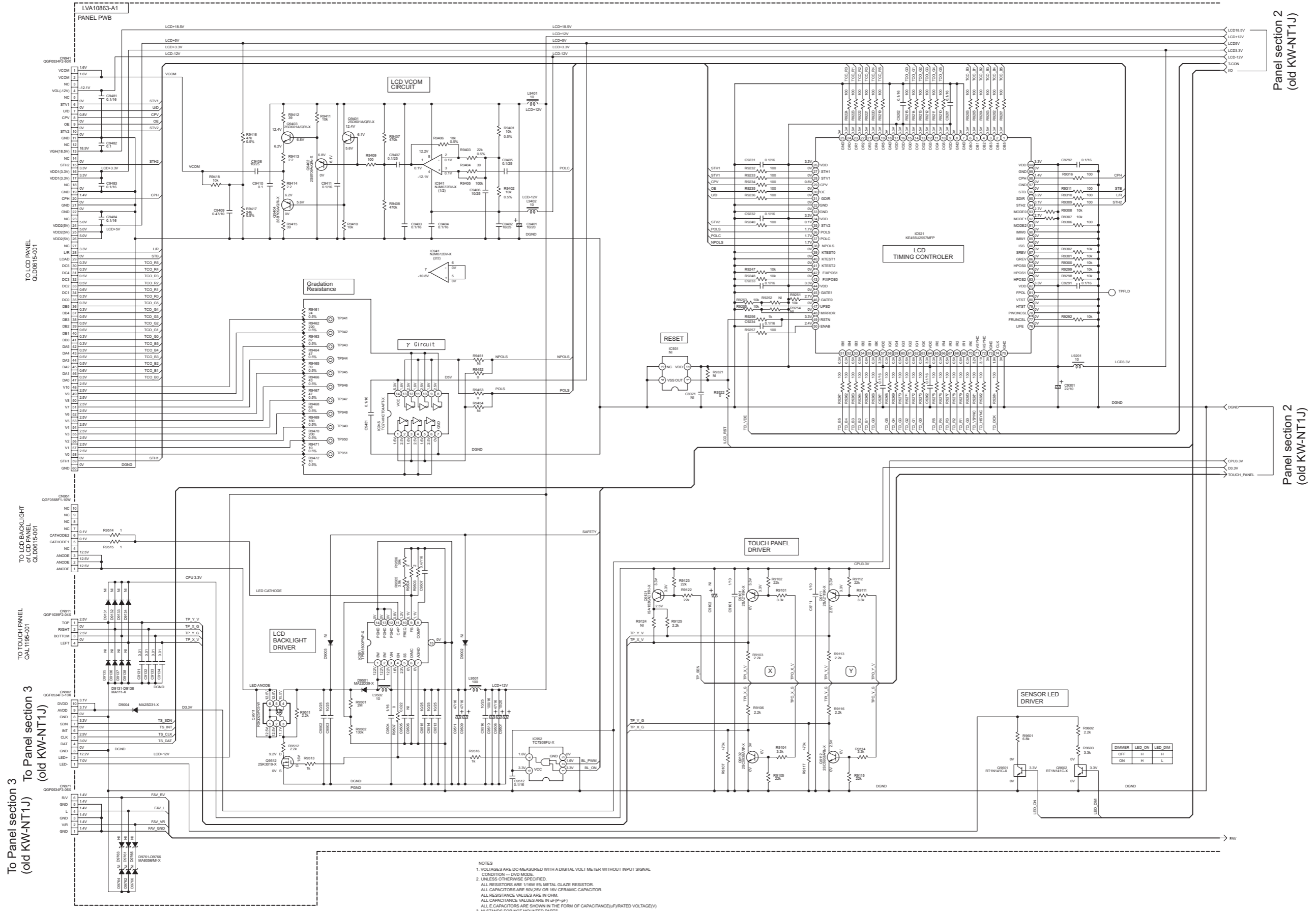


NOTES

1. VOLTAGES ARE DC-MEASURED WITH A DIGITAL VOLT METER WITHOUT INPUT SIGNAL CONDITION - DVD MODE.
2. UNLESS OTHERWISE SPECIFIED.
3. NI STANDS FOR NOT MOUNTED PARTS.

Parts are safety assurance parts.  
When replacing those parts make sure to use the specified one.

Panel section 1 (old KW-NT1J)

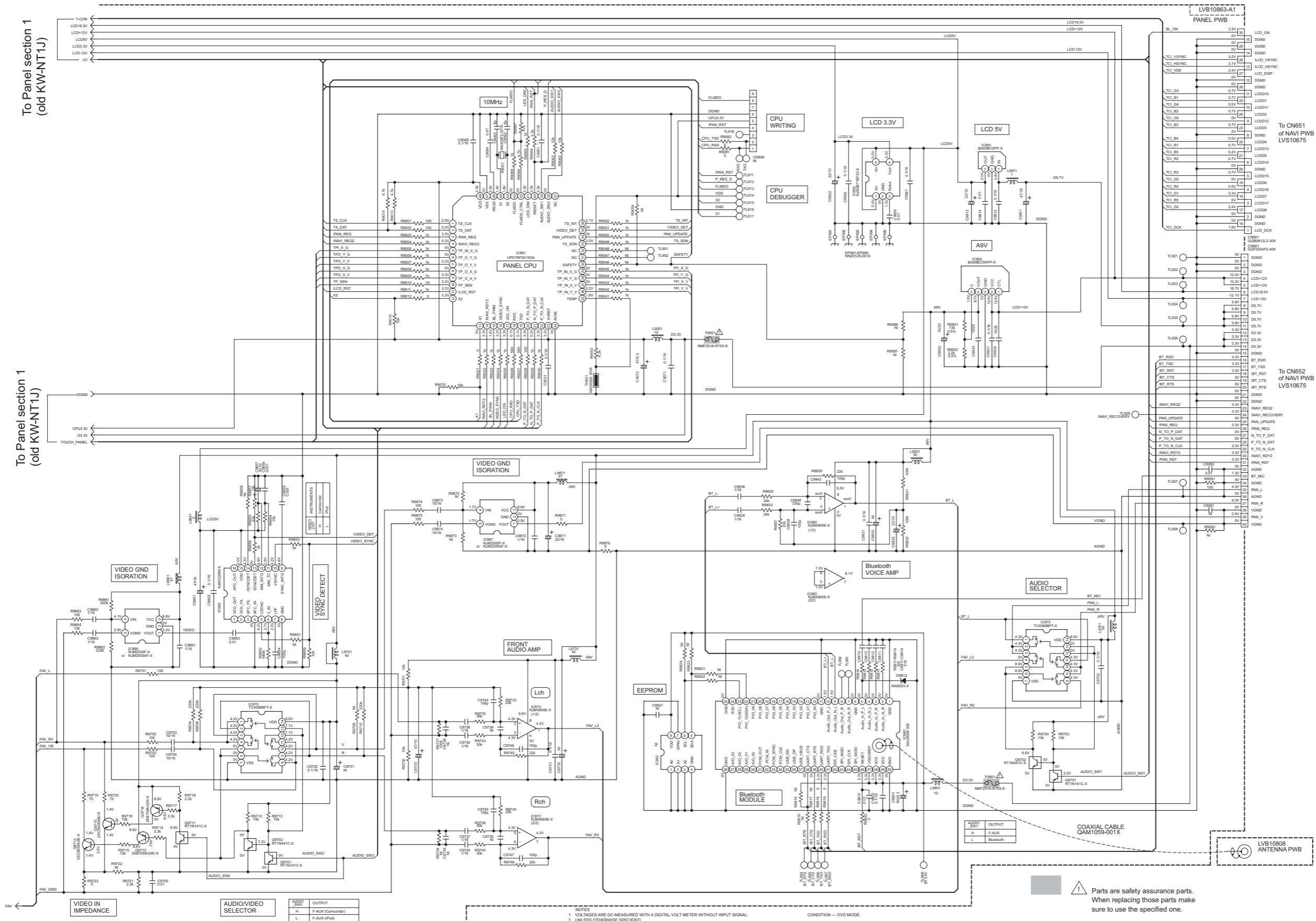


Panel section 2  
(old KW-NT1J)

Panel section 2  
(old KW-NT1J)

NOTES  
 1. VOLTAGES ARE DC-MEASURED WITH A DIGITAL VOLT METER WITHOUT INPUT SIGNAL.  
 CONDITION - DVD MODE.  
 2. UNLESS OTHERWISE SPECIFIED:  
 ALL RESISTORS ARE 1/16W 5% METAL GLAZE RESISTOR.  
 ALL CAPACITORS ARE 50V/25V OR 16V CERAMIC CAPACITOR.  
 ALL RESISTANCE VALUES ARE IN OHM.  
 ALL CAPACITANCE VALUES ARE IN μF(P-PF)  
 ALL CAPACITORS ARE SHOWN IN THE FORM OF CAPACITANCE(μF/RATED VOLTAGE(V))  
 3. NI STANDS FOR NOT MOUNTED PARTS

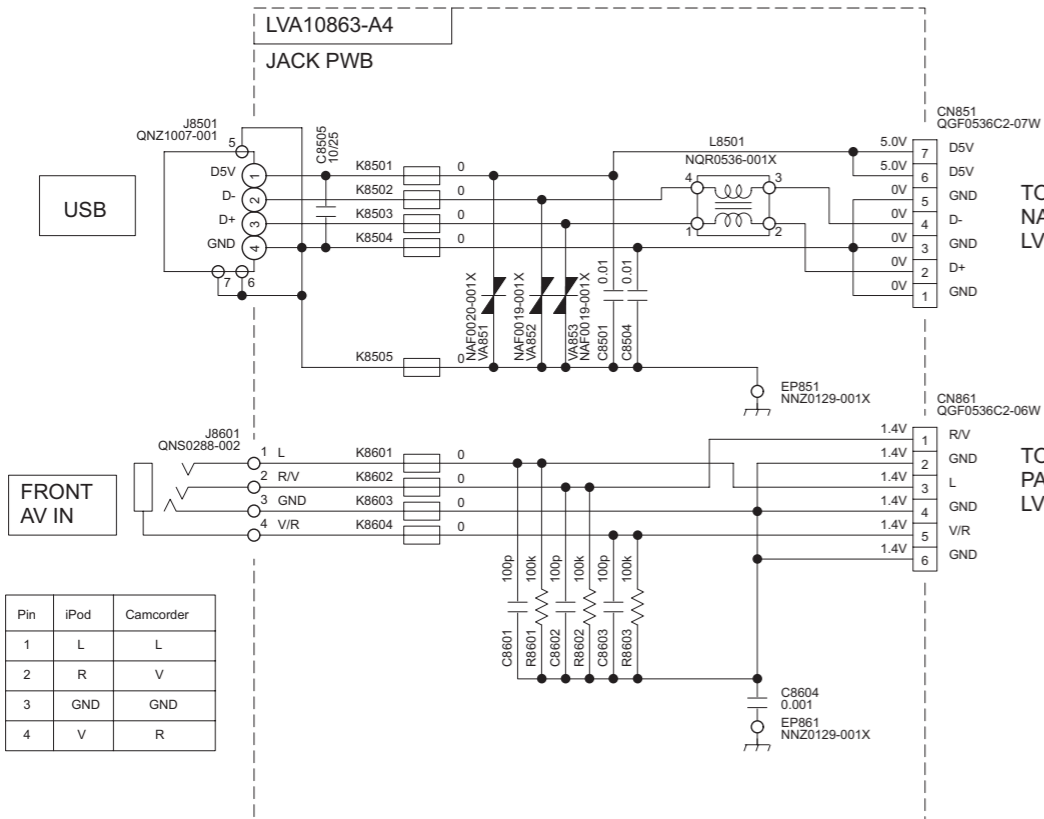
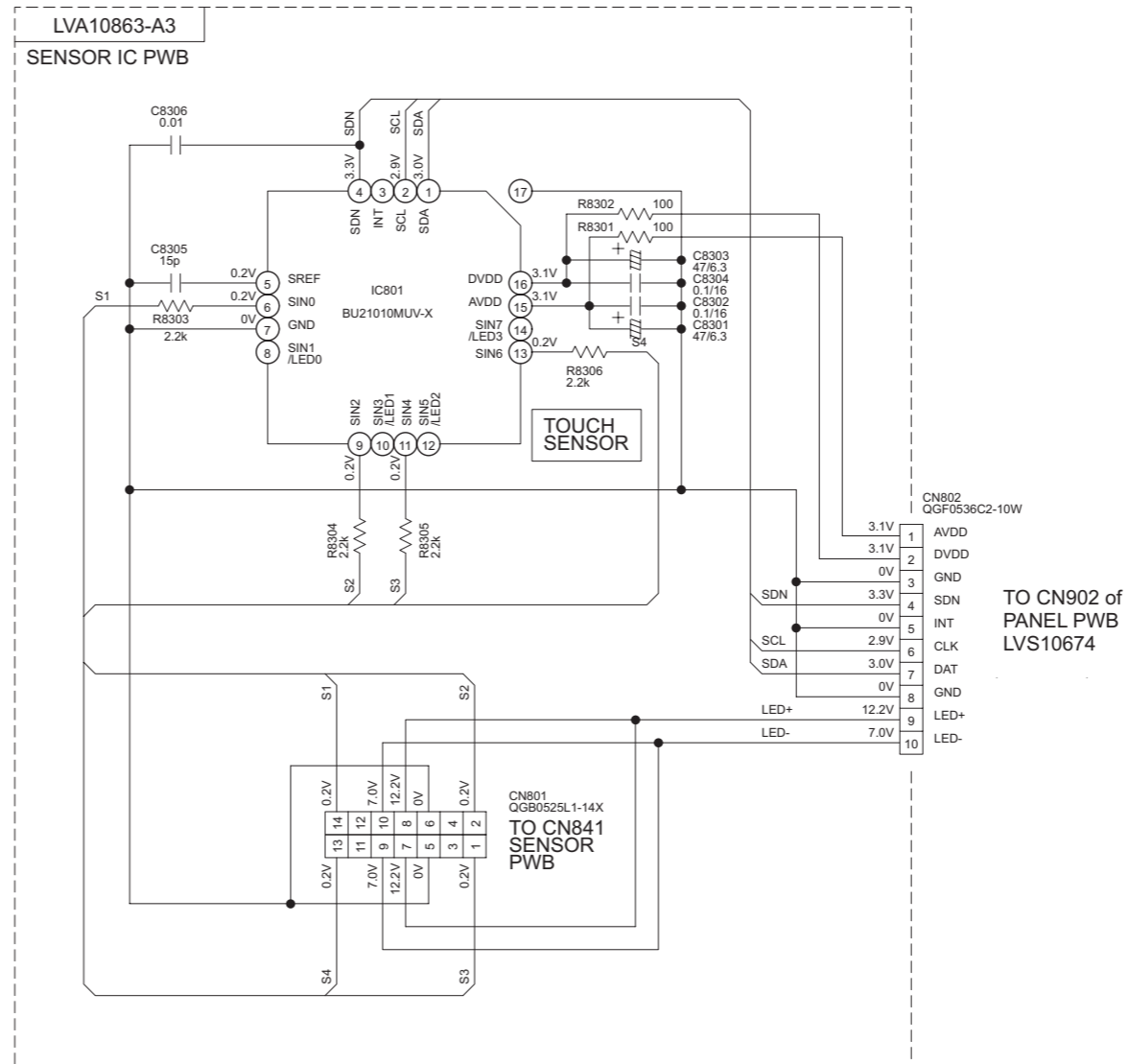
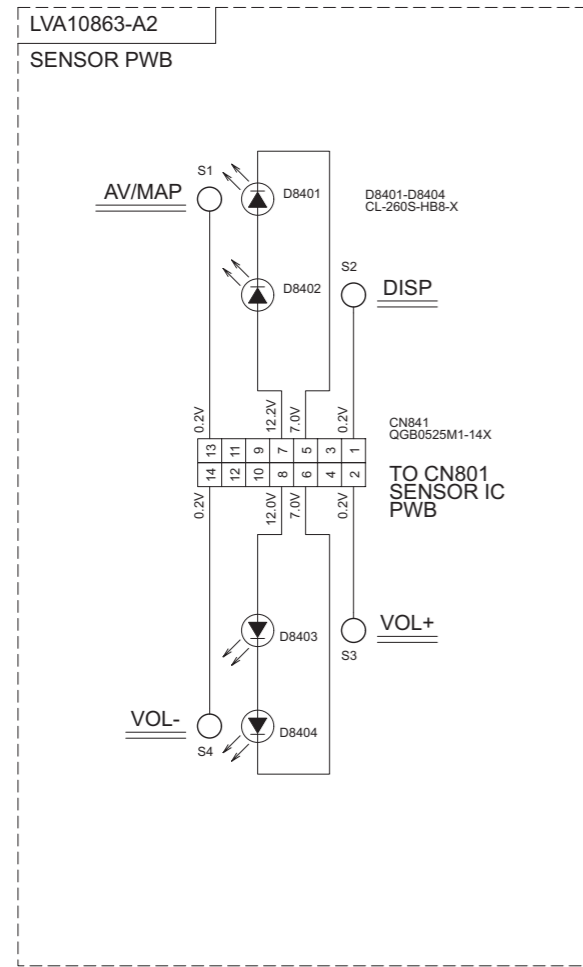
Panel section 2 (old KW-NT1J)



NOTES  
 1. VOLTAGES ARE DC-MEASURED WITH A DIGITAL VOLT METER WITHOUT INPUT SIGNAL.  
 2. UNLESS OTHERWISE SPECIFIED.  
 ALL RESISTORS ARE 1/16W 5% METAL GLAZE RESISTOR.  
 ALL CAPACITORS ARE 50V CERAMIC CAPACITOR.  
 ALL RESISTANCE VALUES ARE IN OHM.  
 ALL CAPACITANCE VALUES ARE IN nF(pF).  
 ALL CAPACITORS ARE SHOWN IN THE FORM OF CAPACITANCE/(RATED VOLTAGE)V.  
 3. NI STANDS FOR NOT MOUNTED PARTS.

CONDITION - DVD MODE

■ Panel section 3 (old KW-NT1J)

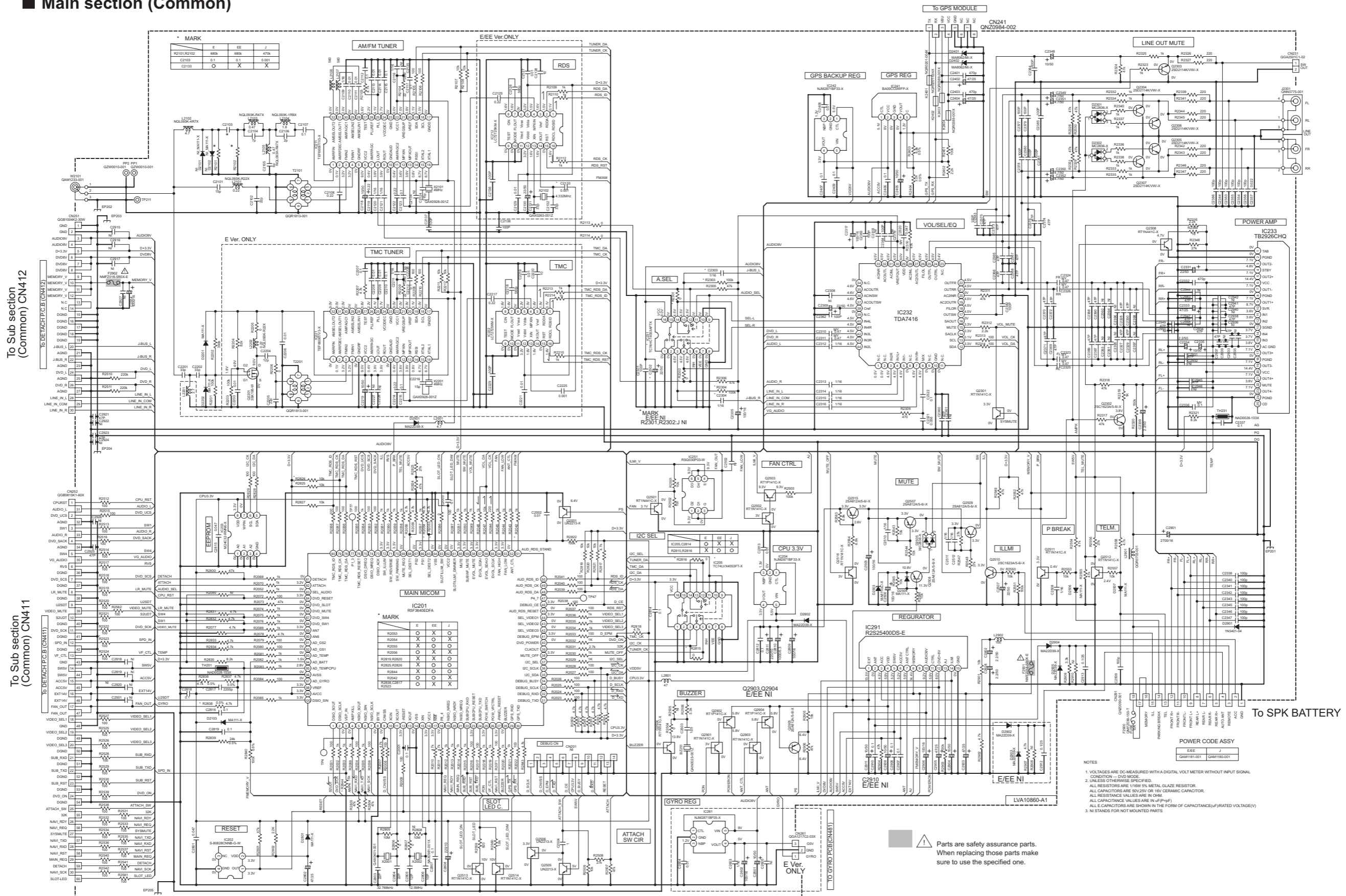


NOTES

- VOLTAGES ARE DC-MEASURED WITH A DIGITAL VOLT METER WITHOUT INPUT SIGNAL CONDITION -- DVD MODE.
- UNLESS OTHERWISE SPECIFIED.  
ALL RESISTORS ARE 1/16W 5% METAL GLAZE RESISTOR.  
ALL CAPACITORS ARE 50V,25V OR 16V CERAMIC CAPACITOR.  
ALL RESISTANCE VALUES ARE IN OHM.  
ALL CAPACITANCE VALUES ARE IN uF(P=pF)
- NI STANDS FOR NOT MOUNTED PARTS



■ Main section (Common)



NOTES

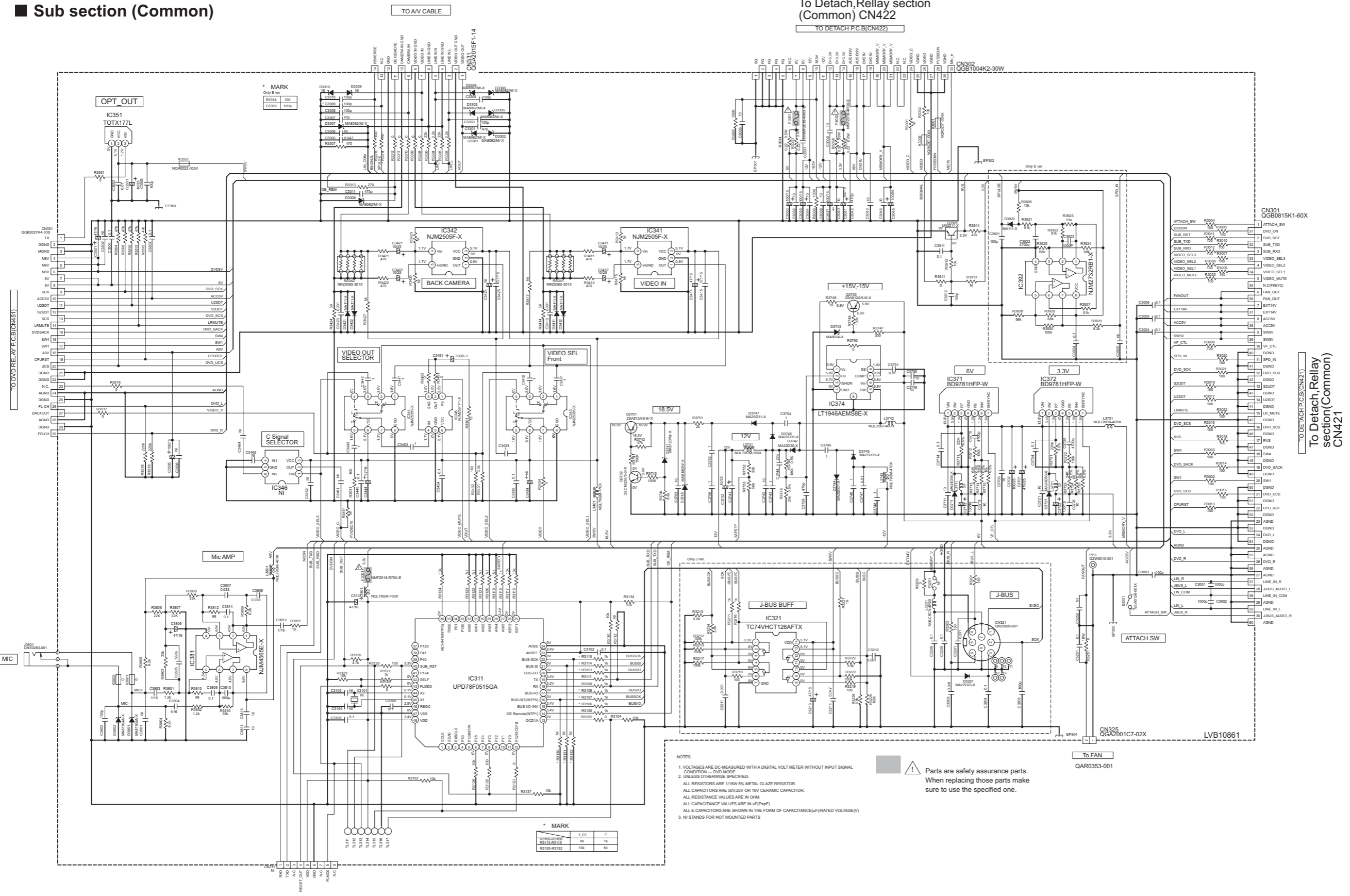
1. VOLTAGES ARE DC MEASURED WITH A DIGITAL VOLT METER WITHOUT INPUT SIGNAL CONDITION - DVD MODE
2. UNLESS OTHERWISE SPECIFIED, ALL RESISTORS ARE 1/16W 5% METAL GLAZE RESISTOR. ALL CAPACITORS ARE 50VDC OR 16V CERAMIC CAPACITOR. ALL RESISTANCE VALUES ARE IN OHM. ALL CAPACITANCE VALUES ARE IN (pF)
3. NI STANDS FOR NOT MOUNTED PARTS

Parts are safety assurance parts.  
When replacing those parts make  
sure to use the specified one.



■ Sub section (Common)

To Detach, Relay section (Common) CN422



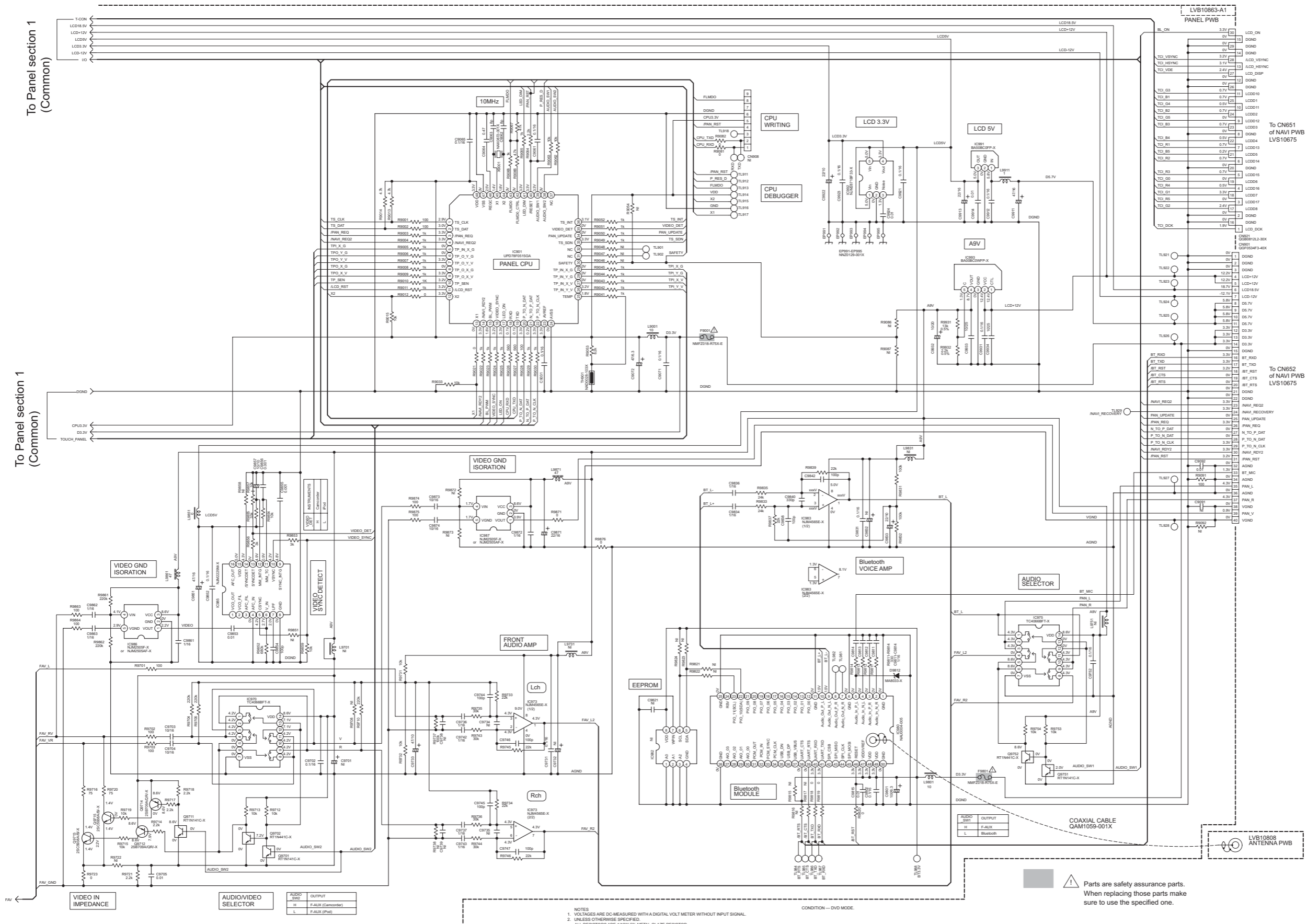
NOTES

1. VOLTAGES ARE DC-MEASURED WITH A DIGITAL VOLT METER WITHOUT INPUT SIGNAL CONDITION - DVD MODE.
2. UNLESS OTHERWISE SPECIFIED.
- ALL RESISTORS ARE 1/16W 5% METAL GLAZE RESISTOR.
- ALL CAPACITORS ARE 50V/25V OR 16V CERAMIC CAPACITOR.
- ALL RESISTANCE VALUES ARE IN OHM.
- ALL CAPACITANCE VALUES ARE IN (P-F).
- ALL E-CAPACITORS ARE SHOWN IN THE FORM OF CAPACITANCE(V)RATED VOLTAGE(V).
3. NI STANDS FOR NOT MOUNTED PARTS.

Parts are safety assurance parts.  
When replacing those parts make sure to use the specified one.

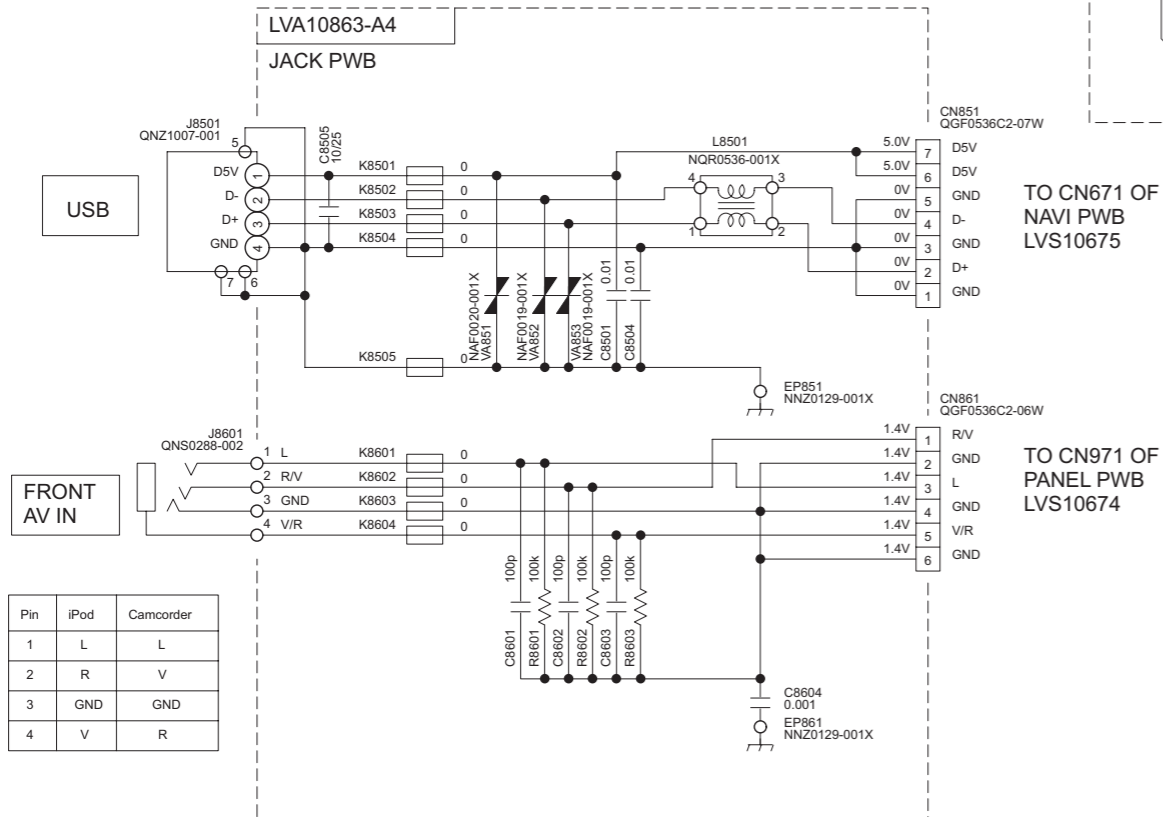
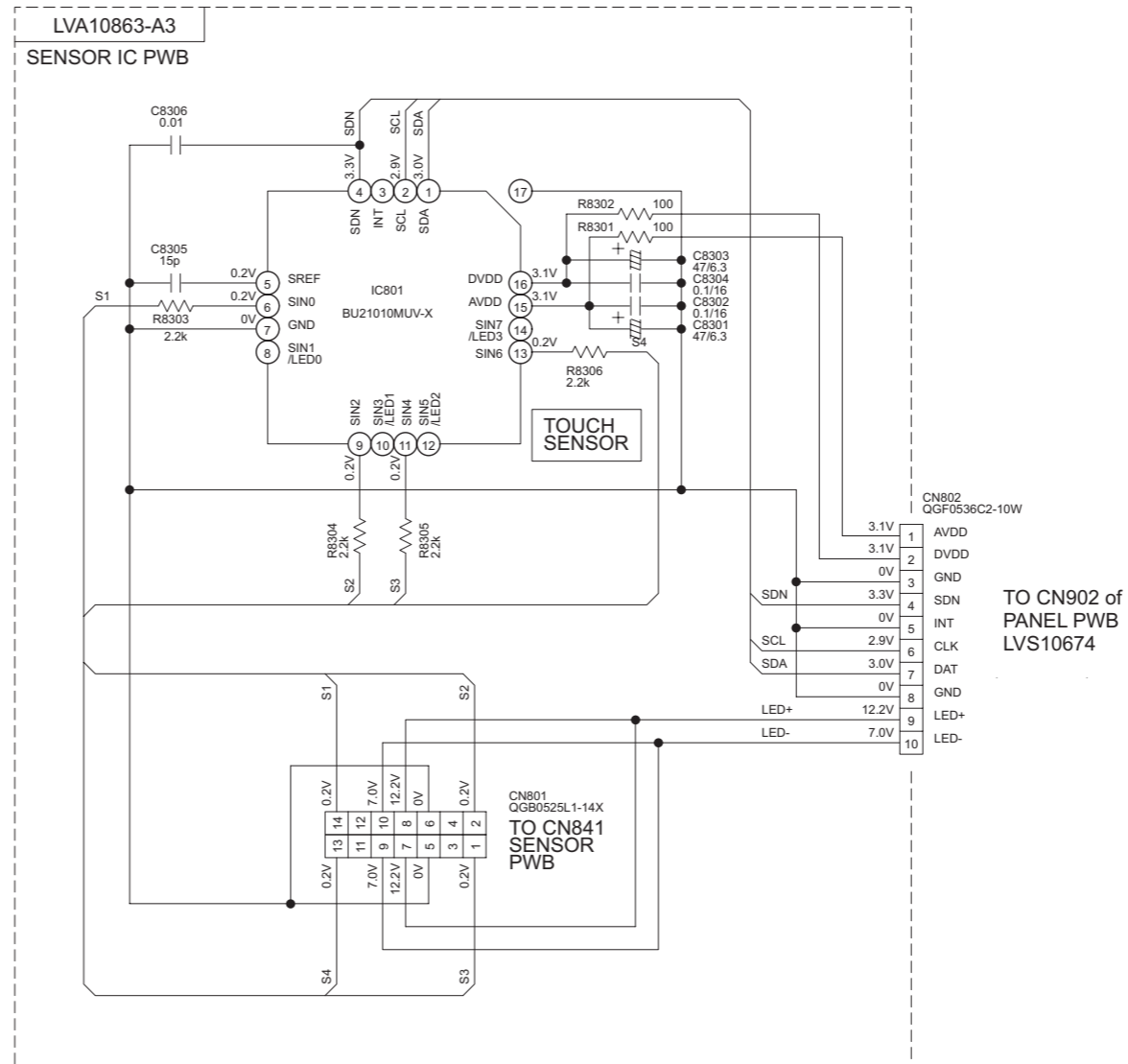
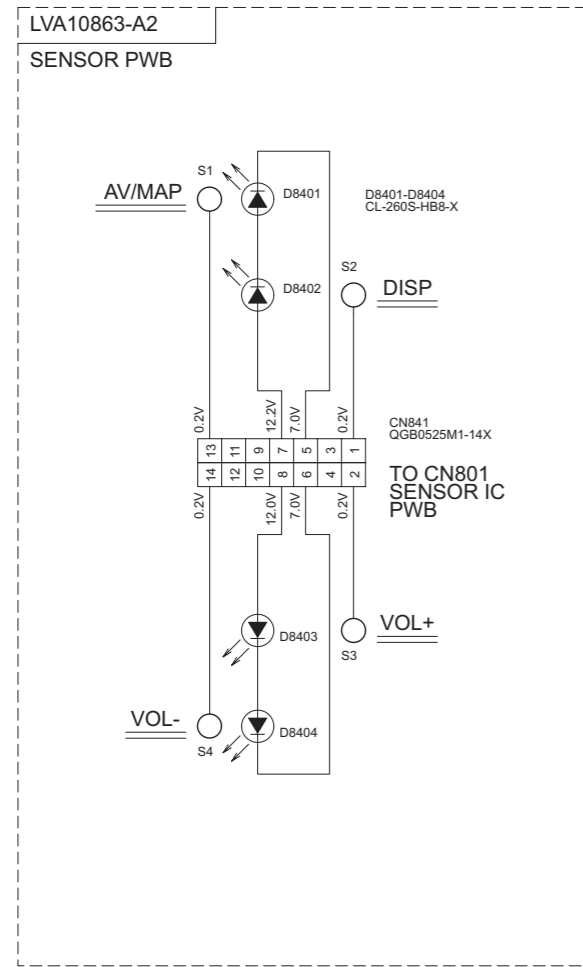


# Panel section 2 (Common)



- NOTES
1. VOLTAGES ARE DC-MEASURED WITH A DIGITAL VOLT METER WITHOUT INPUT SIGNAL.
  2. UNLESS OTHERWISE SPECIFIED.
  3. ALL RESISTORS ARE 1/16W 5% METAL GLAZE RESISTOR.
  4. ALL CAPACITORS ARE 50V CERAMIC CAPACITOR.
  5. ALL RESISTANCE VALUES ARE IN OHM.
  6. ALL CAPACITANCE VALUES ARE IN (uF)(pF).
  7. ALL E-CAPACITORS ARE SHOWN IN THE FORM OF CAPACITANCE(uF)RATED VOLTAGE(V).
  8. NI STANDS FOR NOT MOUNTED PARTS.

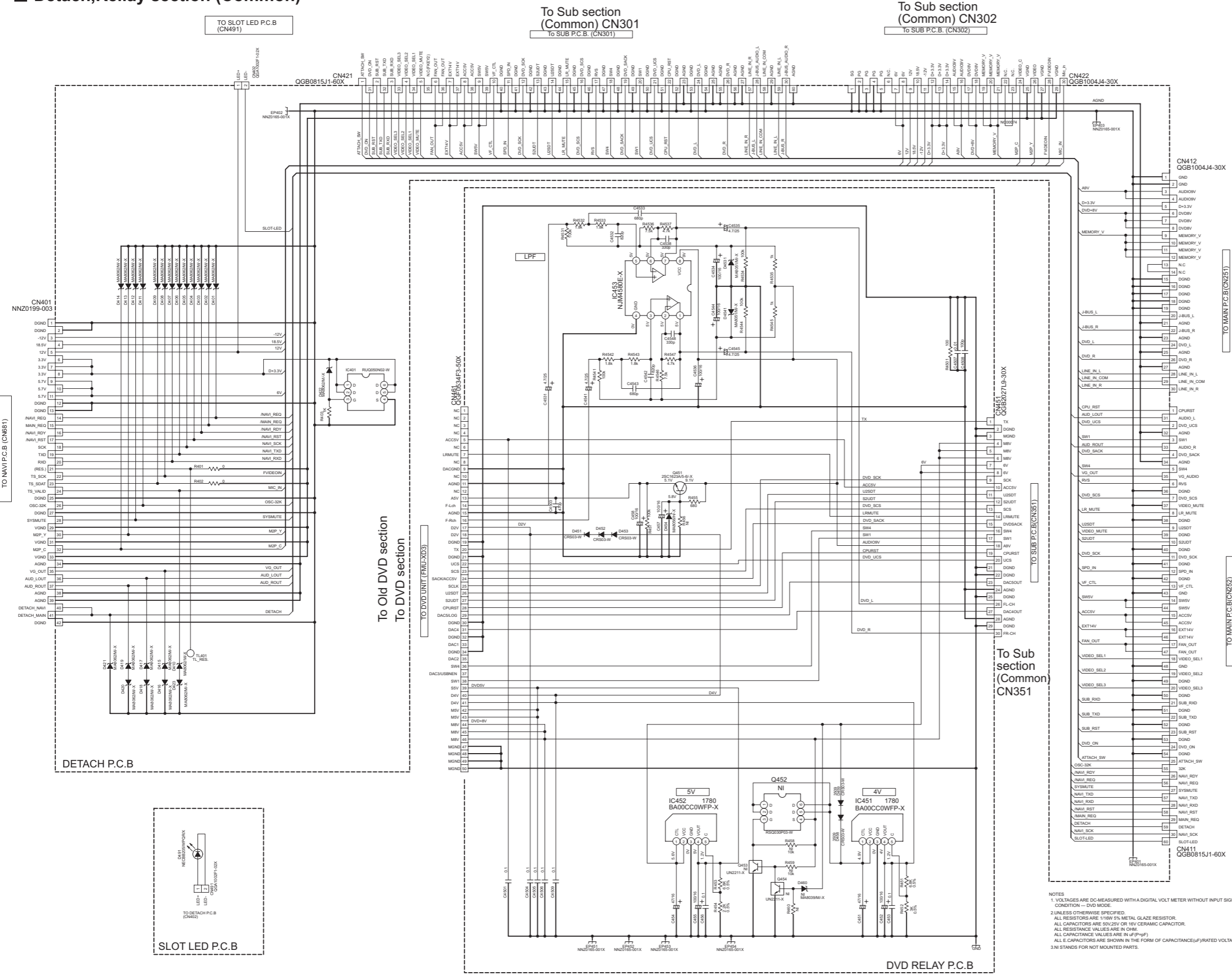
## Panel section 3 (Common)



### NOTES

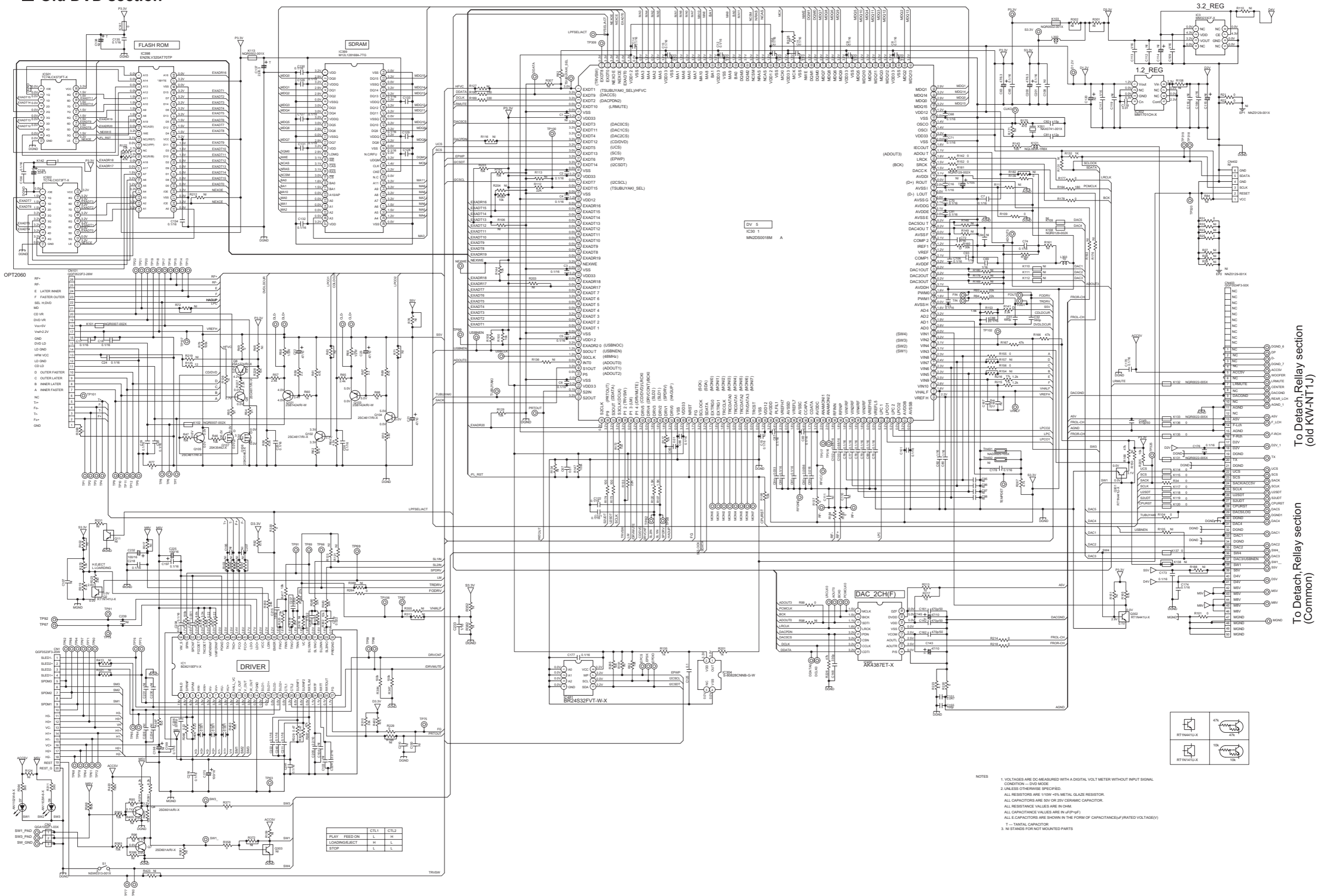
- VOLTAGES ARE DC-MEASURED WITH A DIGITAL VOLT METER WITHOUT INPUT SIGNAL CONDITION -- DVD MODE.
- UNLESS OTHERWISE SPECIFIED.  
ALL RESISTORS ARE 1/16W 5% METAL GLAZE RESISTOR.  
ALL CAPACITORS ARE 50V 25V OR 16V CERAMIC CAPACITOR.  
ALL RESISTANCE VALUES ARE IN OHM.  
ALL CAPACITANCE VALUES ARE IN uF(P=pF)  
ALL E. CAPACITORS ARE SHOWN IN THE FORM OF CAPACITANCE(uF)/RATED VOLTAGE(V)
- NI STANDS FOR NOT MOUNTED PARTS

■ Detach,Relay section (Common)



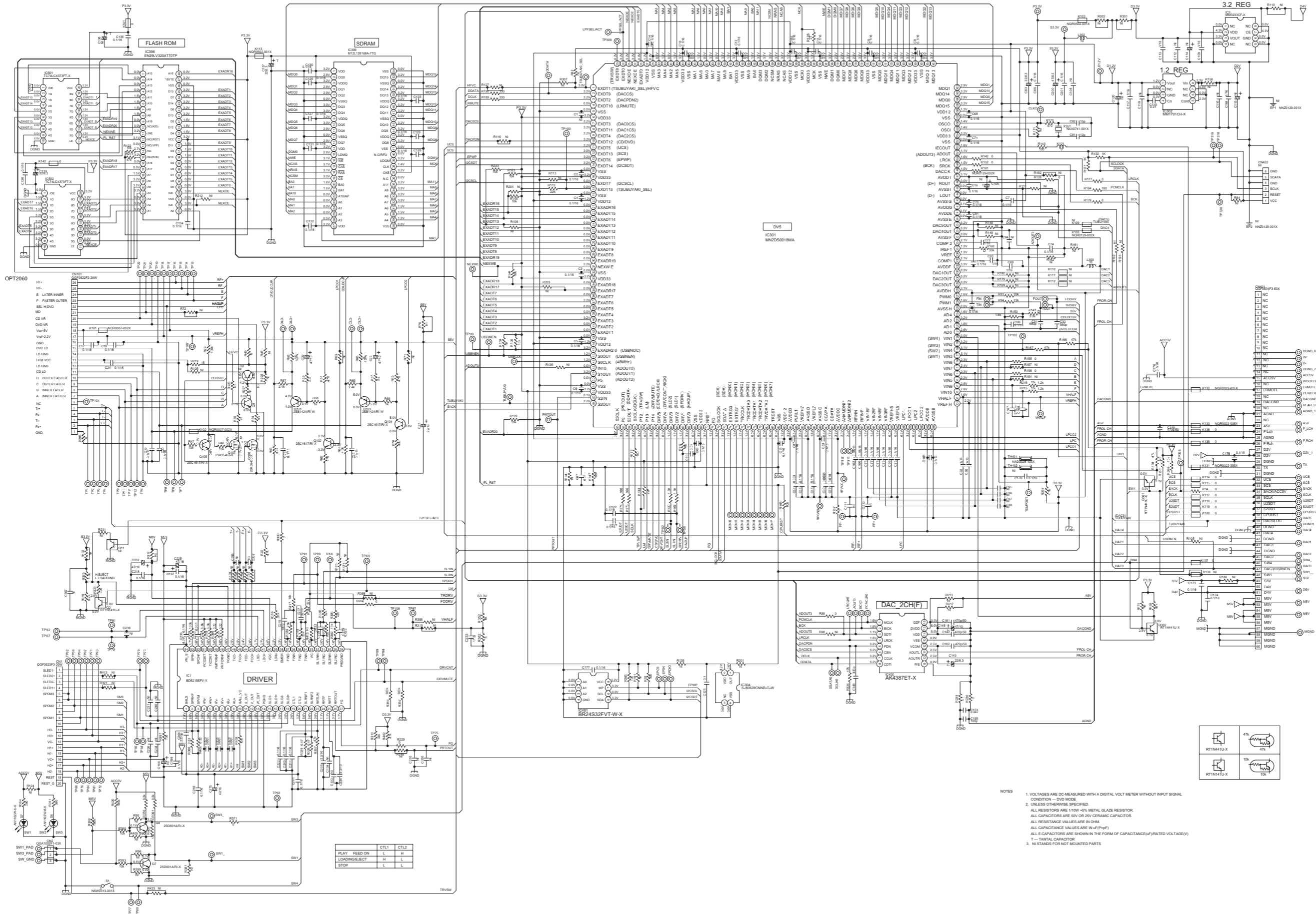
NOTES  
 1. VOLTAGES ARE DC-MEASURED WITH A DIGITAL VOLT METER WITHOUT INPUT SIGNAL CONDITION - DVD MODE.  
 2. UNLESS OTHERWISE SPECIFIED.  
 ALL RESISTORS ARE 1/16W 5% METAL GLAZE RESISTOR.  
 ALL CAPACITORS ARE 50V/25V OR 16V CERAMIC CAPACITOR.  
 ALL RESISTANCE VALUES ARE IN OHM.  
 ALL CAPACITANCE VALUES ARE IN μF (PF).  
 ALL E. CAPACITORS ARE SHOWN IN THE FORM OF CAPACITANCE/(RATED VOLTAGE(V))  
 3.NI STANDS FOR NOT MOUNTED PARTS.

Old DVD section



NOTES  
 1. VOLTAGES ARE DC-MEASURED WITH A DIGITAL VOLT METER WITHOUT INPUT SIGNAL. CONDITION - DVD MODE.  
 2. UNLESS OTHERWISE SPECIFIED.  
 ALL RESISTORS ARE 1/10W ±5% METAL GLAZE RESISTOR.  
 ALL CAPACITORS ARE 50V OR 25V CERAMIC CAPACITOR.  
 ALL RESISTANCE VALUES ARE IN OHM.  
 ALL CAPACITANCE VALUES ARE IN μF(±5%).  
 ALL CAPACITORS ARE SHOWN IN THE FORM OF CAPACITANCE/(RATED VOLTAGE).  
 T - TANTALUM CAPACITOR.  
 3. IN STANDS FOR NOT MOUNTED PARTS.

**DVD section**



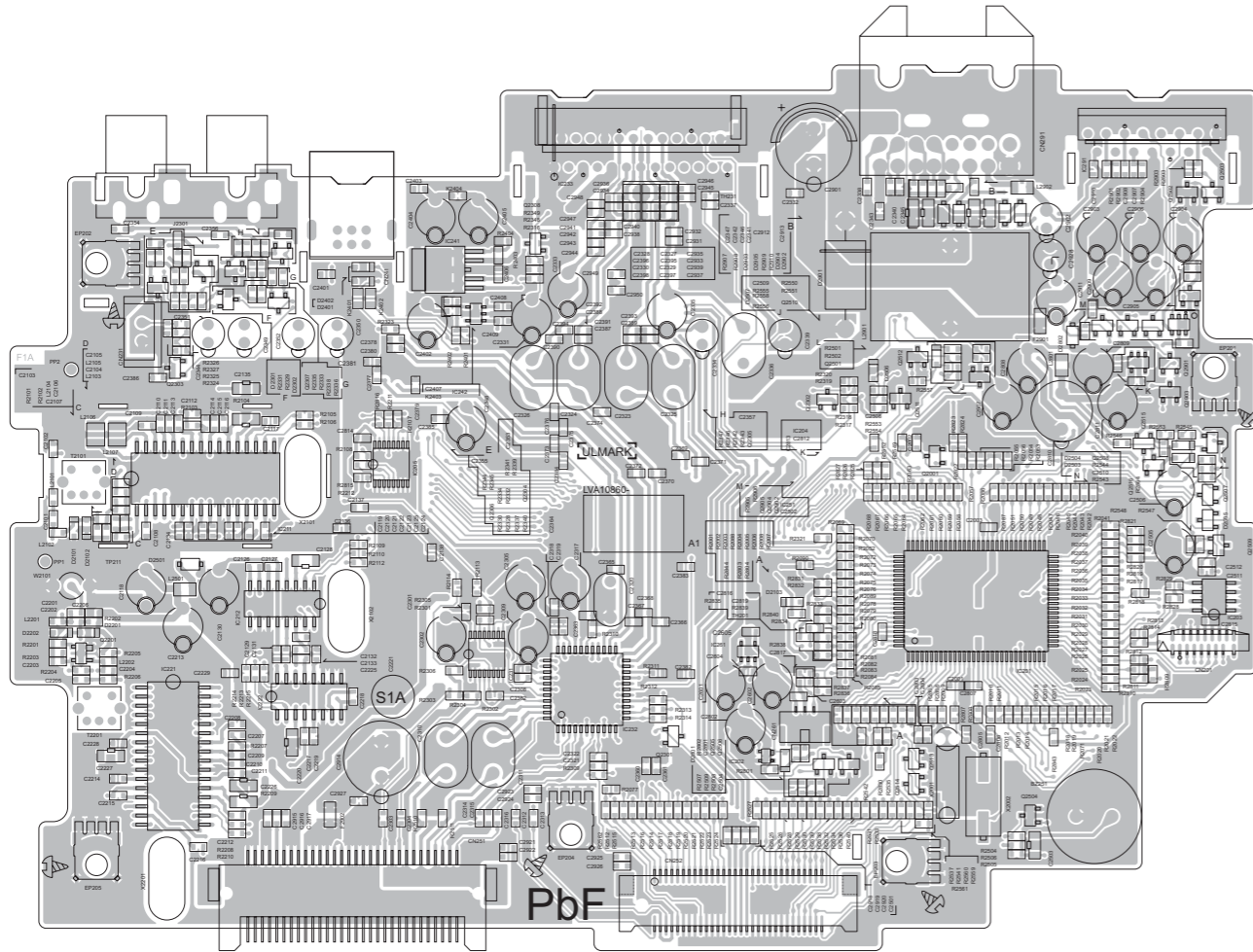
To Detach, Relay section (Common)

- NOTES
- VOLTAGES ARE DC-MEASURED WITH A DIGITAL VOLT METER WITHOUT INPUT SIGNAL. CONDITION - DVD MODE.
  - UNLESS OTHERWISE SPECIFIED, ALL RESISTORS ARE 1/10W ±5% METAL GLAZE RESISTOR.
  - ALL CAPACITORS ARE 50V OR 25V CERAMIC CAPACITOR.
  - ALL RESISTANCE VALUES ARE IN OHMS.
  - ALL CAPACITANCE VALUES ARE IN μF(±5%).
  - ALL E-CAPACITORS ARE SHOWN IN THE FORM OF CAPACITANCE(F)RATED VOLTAGE(V).
  - T = TANTALUM CAPACITOR.
  - NI STANDS FOR NOT MOUNTED PARTS.

# Printed circuit boards

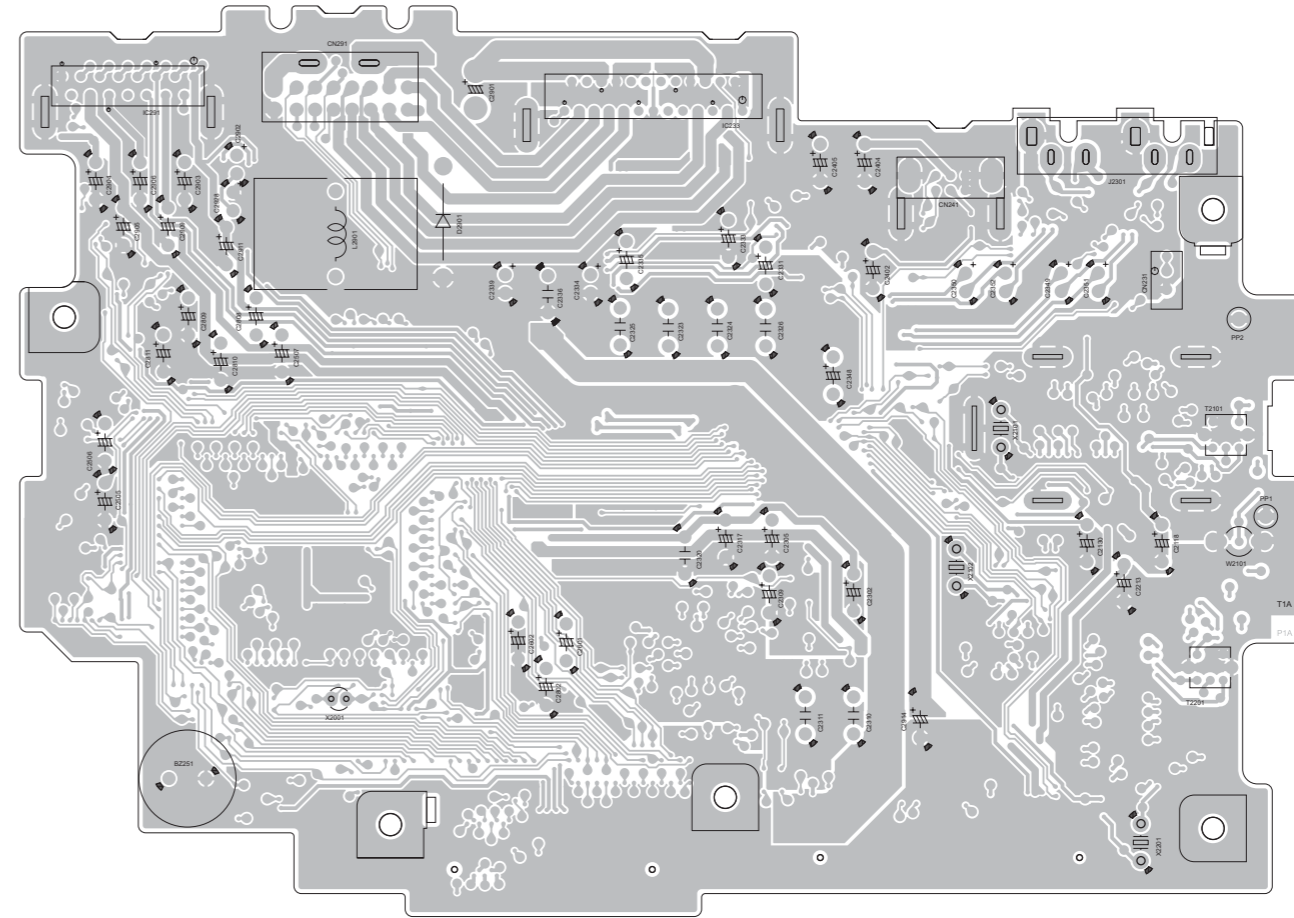
## ■ Main board (old KW-NT1J) ( forward side )

(Lead free solder used in the board (material : Sn-Ag-Cu, melting point : 219 Centigrade))  
 (Lead free solder used in the board (material : Sn-Cu, melting point : 230 Centigrade))



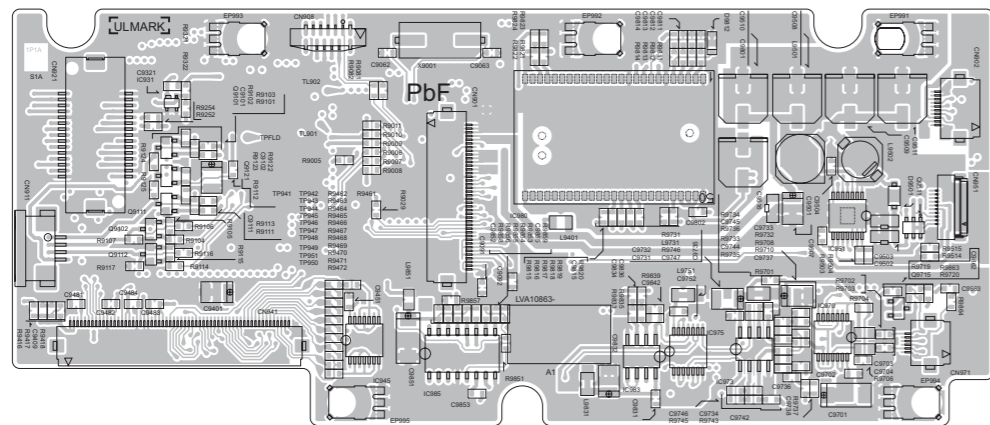
## ■ Main board (old KW-NT1J) ( reverse side )

(Lead free solder used in the board (material : Sn-Ag-Cu, melting point : 219 Centigrade))  
 (Lead free solder used in the board (material : Sn-Cu, melting point : 230 Centigrade))



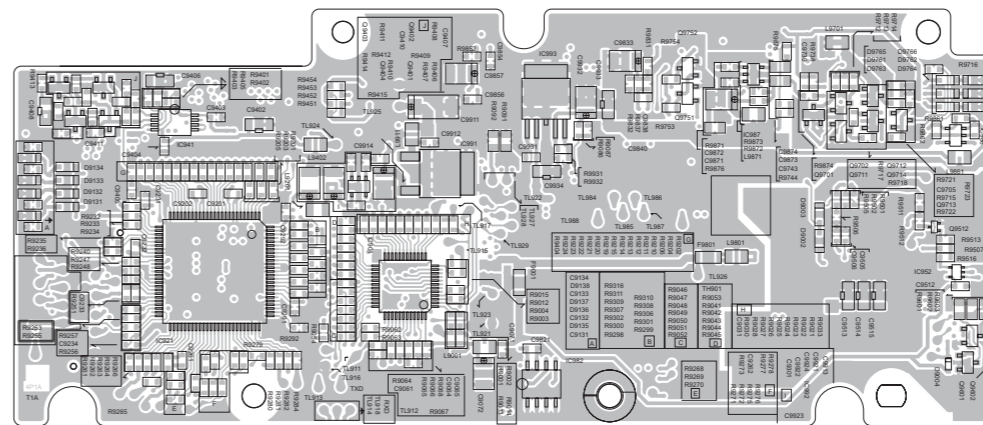
## ■ Panel board (old KW-NT1J) ( forward side )

(Lead free solder used in the board (material : Sn-Ag-Cu, melting point : 219 Centigrade))  
 (Lead free solder used in the board (material : Sn-Cu, melting point : 230 Centigrade))



## ■ Panel board (old KW-NT1J) ( reverse side )

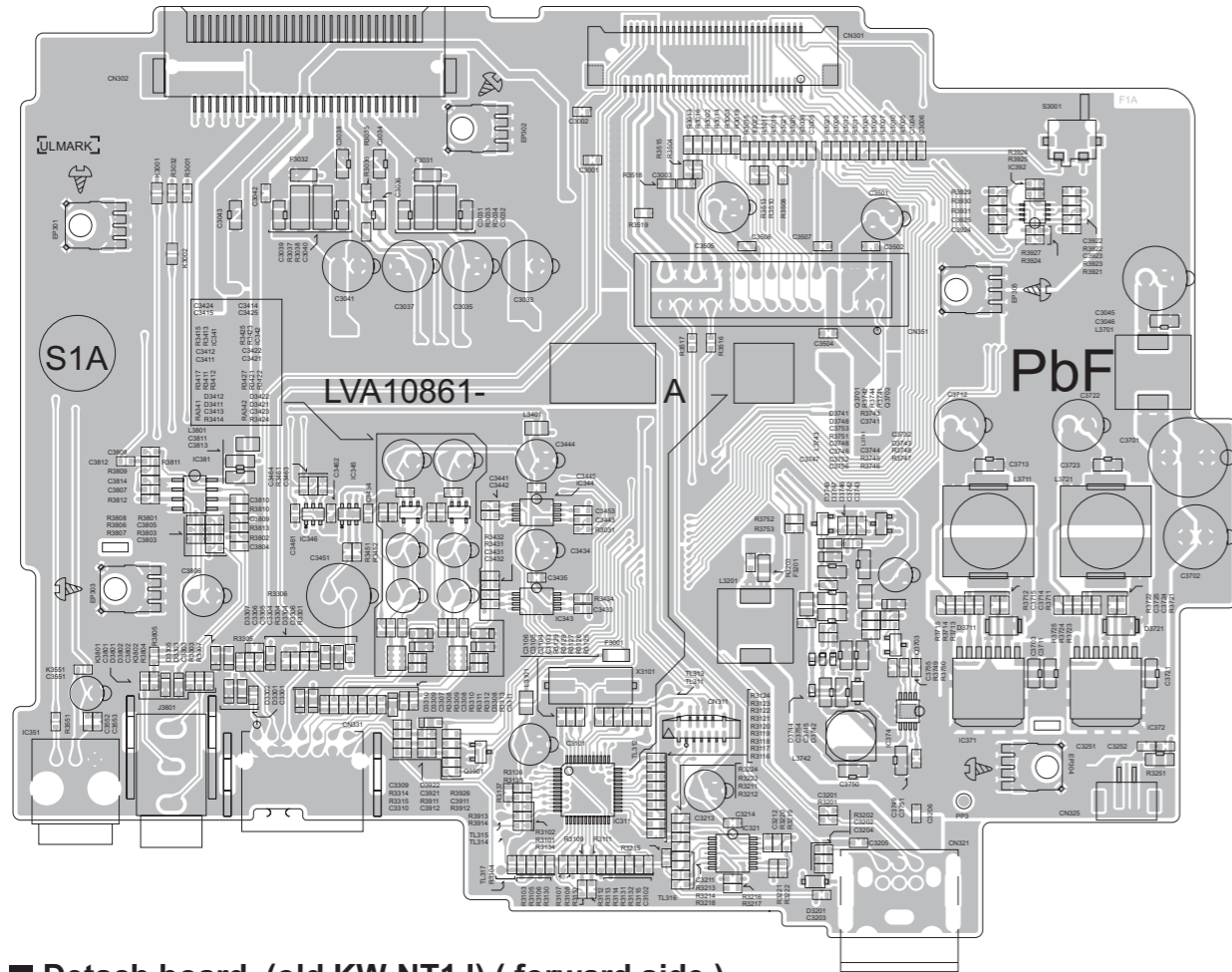
(Lead free solder used in the board (material : Sn-Ag-Cu, melting point : 219 Centigrade))  
 (Lead free solder used in the board (material : Sn-Cu, melting point : 230 Centigrade))





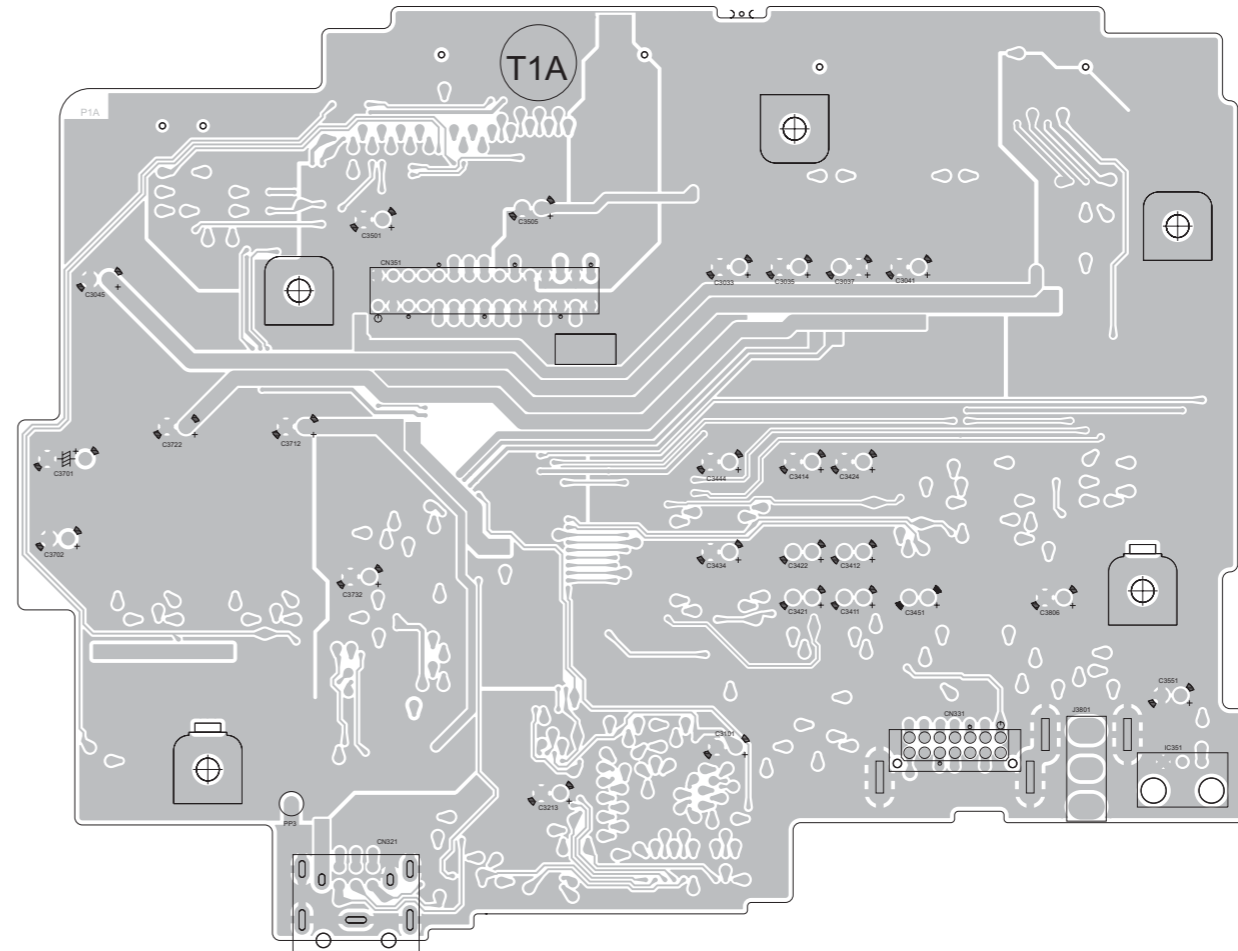
■ Sub board (old KW-NT1J) ( forward side )

(Lead free solder used in the board (material : Sn-Ag-Cu, melting point : 219 Centigrade))  
 (Lead free solder used in the board (material : Sn-Cu, melting point : 230 Centigrade))



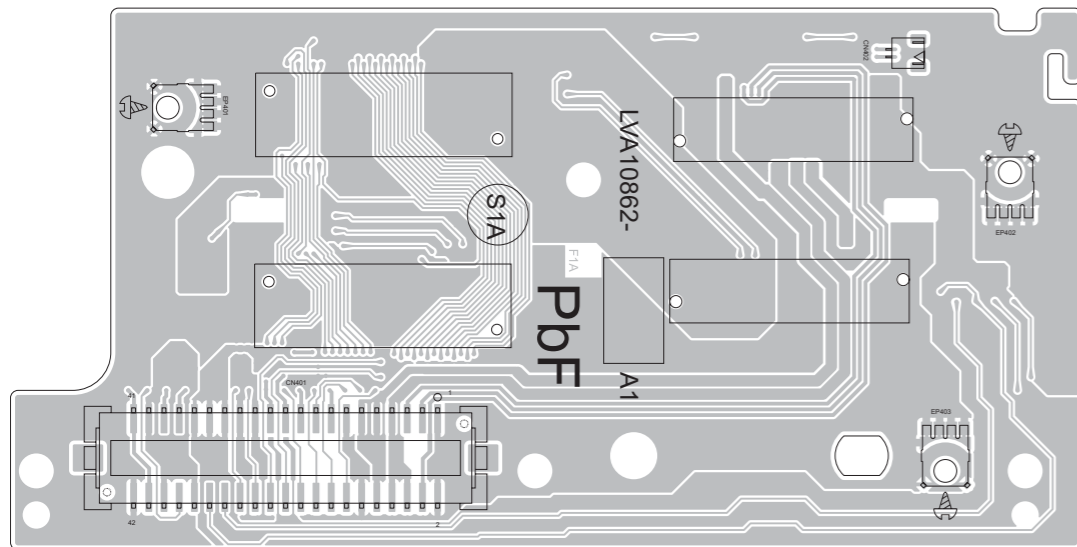
■ Sub board (old KW-NT1J) ( reverse side )

(Lead free solder used in the board (material : Sn-Ag-Cu, melting point : 219 Centigrade))  
 (Lead free solder used in the board (material : Sn-Cu, melting point : 230 Centigrade))



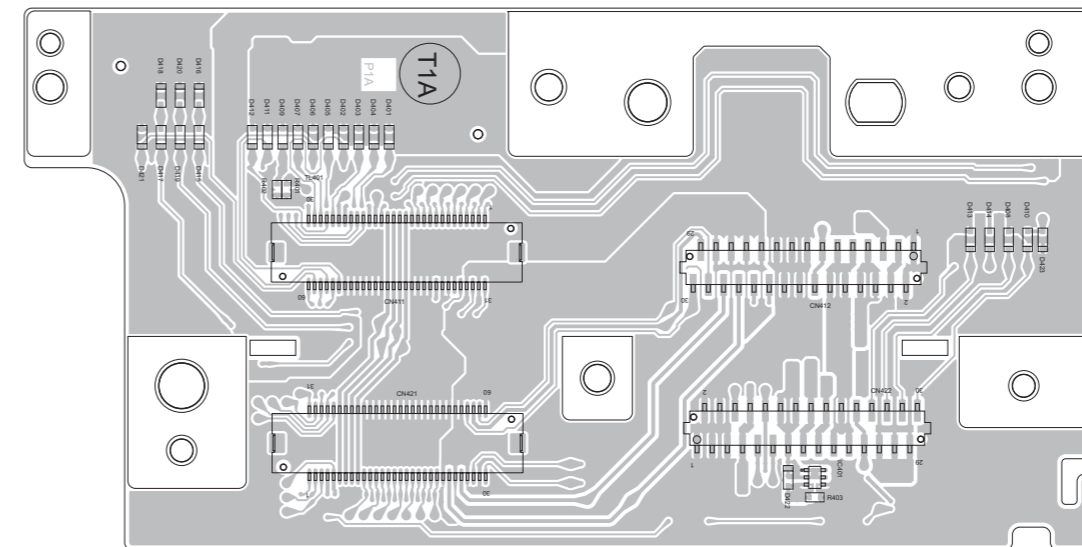
■ Detach board (old KW-NT1J) ( forward side )

(Lead free solder used in the board (material : Sn-Ag-Cu, melting point : 219 Centigrade))  
 (Lead free solder used in the board (material : Sn-Cu, melting point : 230 Centigrade))



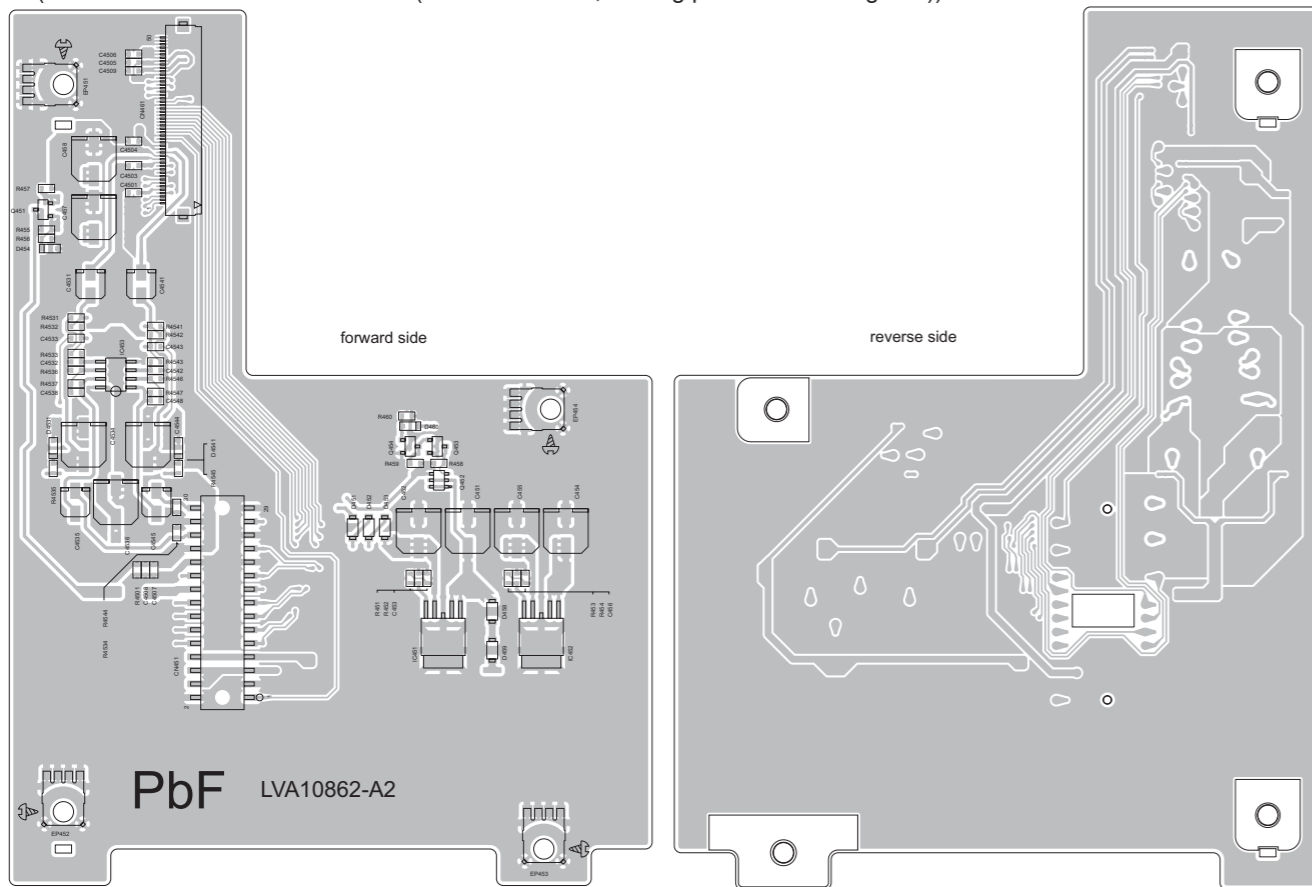
■ Detach board (old KW-NT1J) ( reverse side )

(Lead free solder used in the board (material : Sn-Ag-Cu, melting point : 219 Centigrade))  
 (Lead free solder used in the board (material : Sn-Cu, melting point : 230 Centigrade))



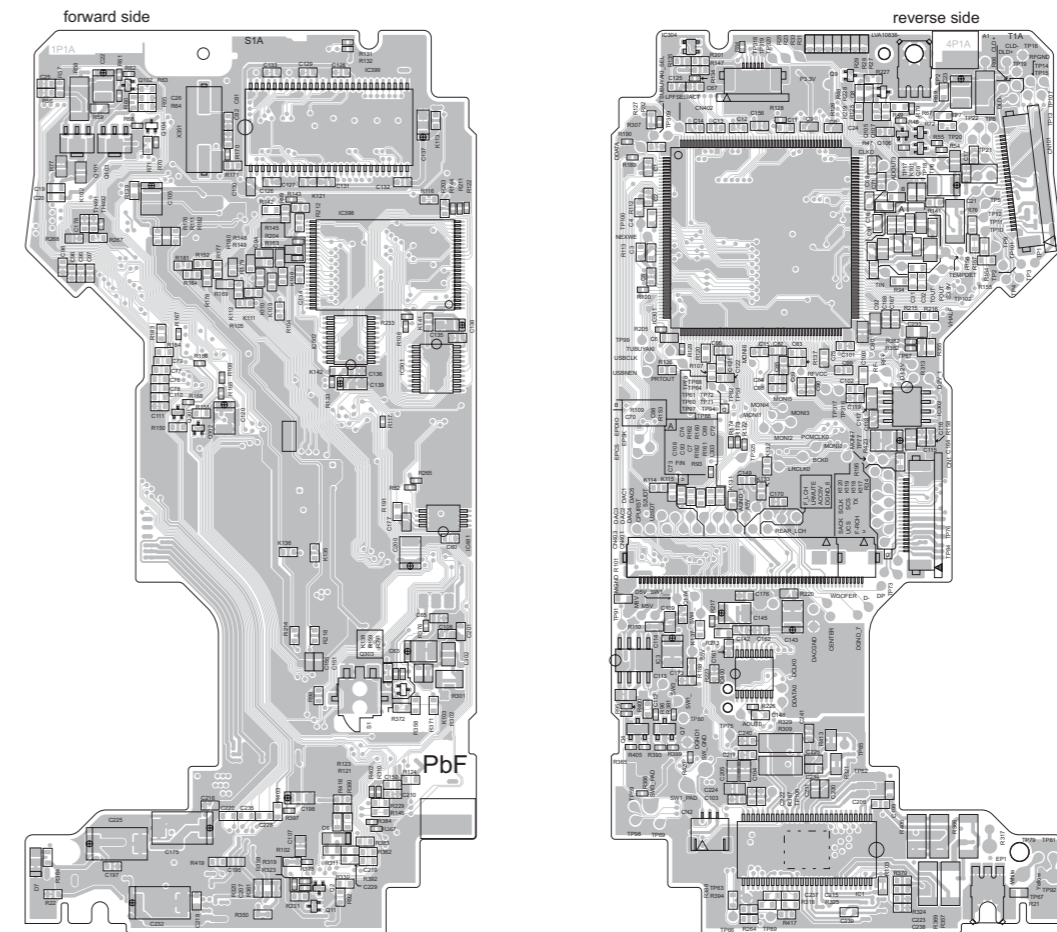
■ **Relay board (old KW-NT1J)**

(Lead free solder used in the board (material : Sn-Ag-Cu, melting point : 219 Centigrade))  
 (Lead free solder used in the board (material : Sn-Cu, melting point : 230 Centigrade))



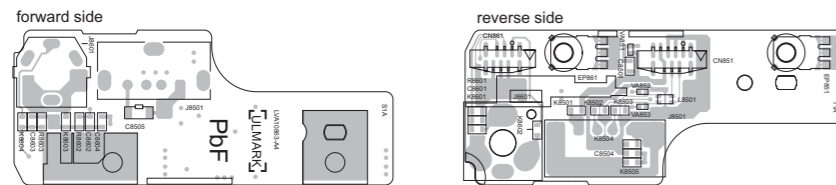
■ **Old DVD board**

(Lead free solder used in the board (material : Sn-Ag-Cu, melting point : 219 Centigrade))  
 (Lead free solder used in the board (material : Sn-Cu, melting point : 230 Centigrade))



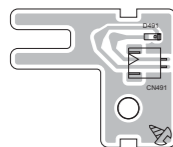
■ **Jack board (old KW-NT1J)**

(Lead free solder used in the board (material : Sn-Ag-Cu, melting point : 219 Centigrade))  
 (Lead free solder used in the board (material : Sn-Cu, melting point : 230 Centigrade))



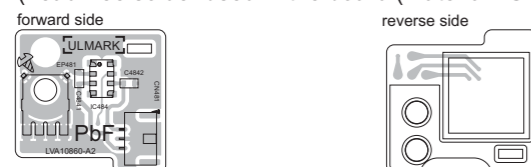
■ **SLOT-LED board (old KW-NT1J)**

(Lead free solder used in the board (material : Sn-Ag-Cu, melting point : 219 Centigrade))  
 (Lead free solder used in the board (material : Sn-Cu, melting point : 230 Centigrade))



■ **Gyro board (old KW-NT1J)**

(Lead free solder used in the board (material : Sn-Ag-Cu, melting point : 219 Centigrade))  
 (Lead free solder used in the board (material : Sn-Cu, melting point : 230 Centigrade))



■ **Old Photo board**

(Lead free solder used in the board (material : Sn-Ag-Cu, melting point : 219 Centigrade))  
 (Lead free solder used in the board (material : Sn-Cu, melting point : 230 Centigrade))



■ **Sensor board (old KW-NT1J)**

(Lead free solder used in the board (material : Sn-Ag-Cu, melting point : 219 Centigrade))  
 (Lead free solder used in the board (material : Sn-Cu, melting point : 230 Centigrade))



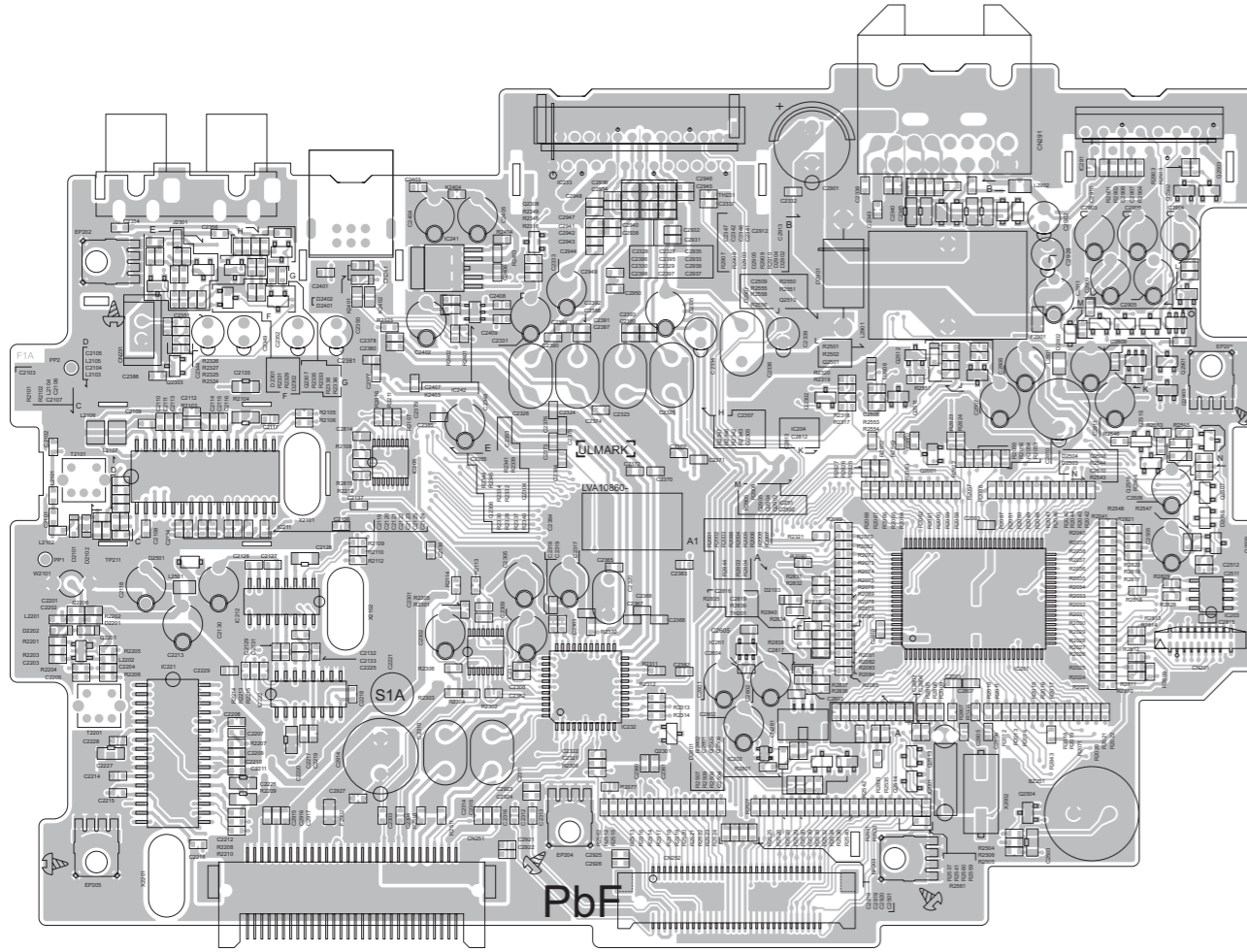
■ **Sensor IC board (old KW-NT1J)**

(Lead free solder used in the board (material : Sn-Ag-Cu, melting point : 219 Centigrade))  
 (Lead free solder used in the board (material : Sn-Cu, melting point : 230 Centigrade))



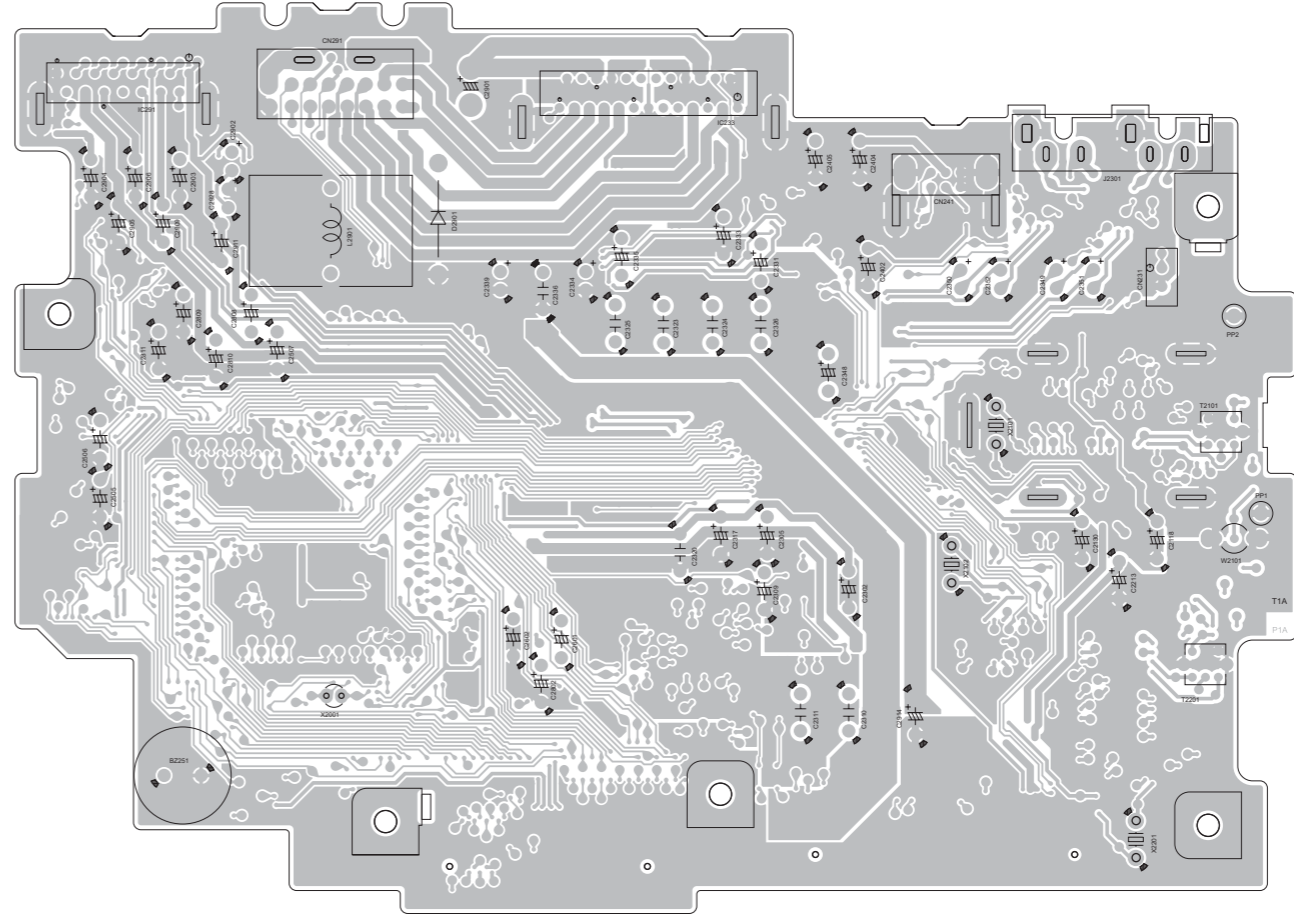
■ Main board (Common) ( forward side )

(Lead free solder used in the board (material : Sn-Ag-Cu, melting point : 219 Centigrade))  
(Lead free solder used in the board (material : Sn-Cu, melting point : 230 Centigrade))



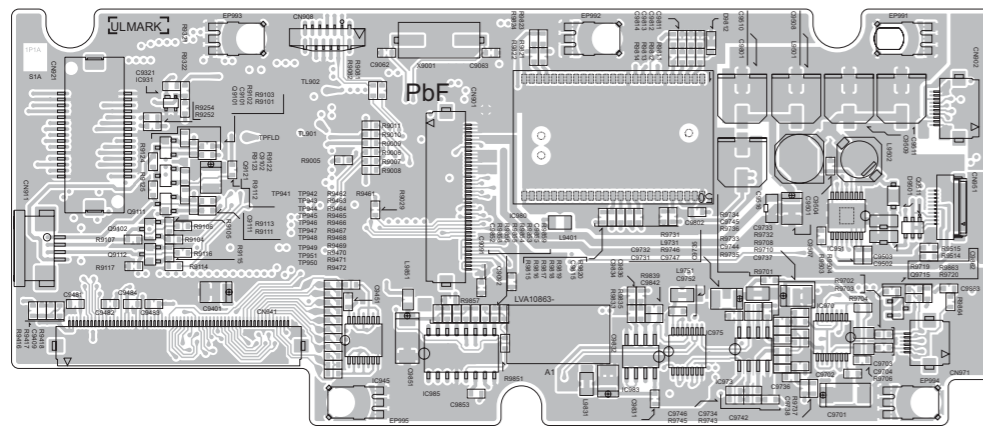
■ Main board (Common) ( reverse side )

(Lead free solder used in the board (material : Sn-Ag-Cu, melting point : 219 Centigrade))  
(Lead free solder used in the board (material : Sn-Cu, melting point : 230 Centigrade))



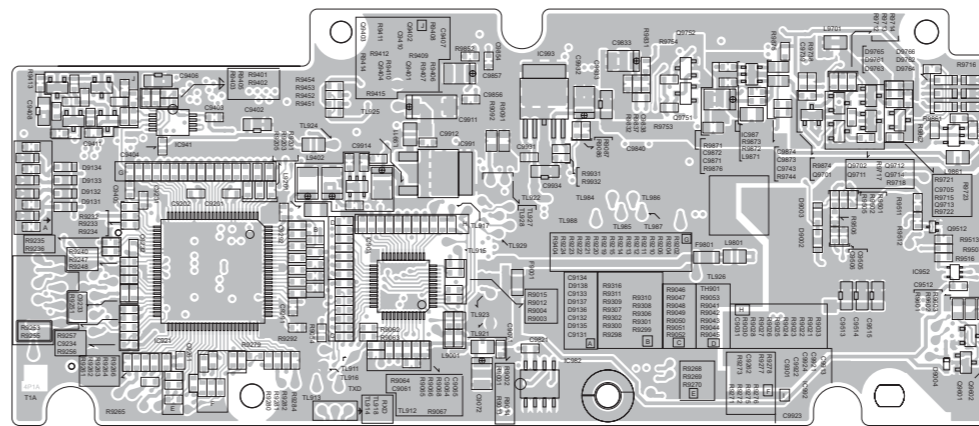
■ Main board (Common) ( forward side )

(Lead free solder used in the board (material : Sn-Ag-Cu, melting point : 219 Centigrade))  
(Lead free solder used in the board (material : Sn-Cu, melting point : 230 Centigrade))



■ Main board (Common) ( reverse side )

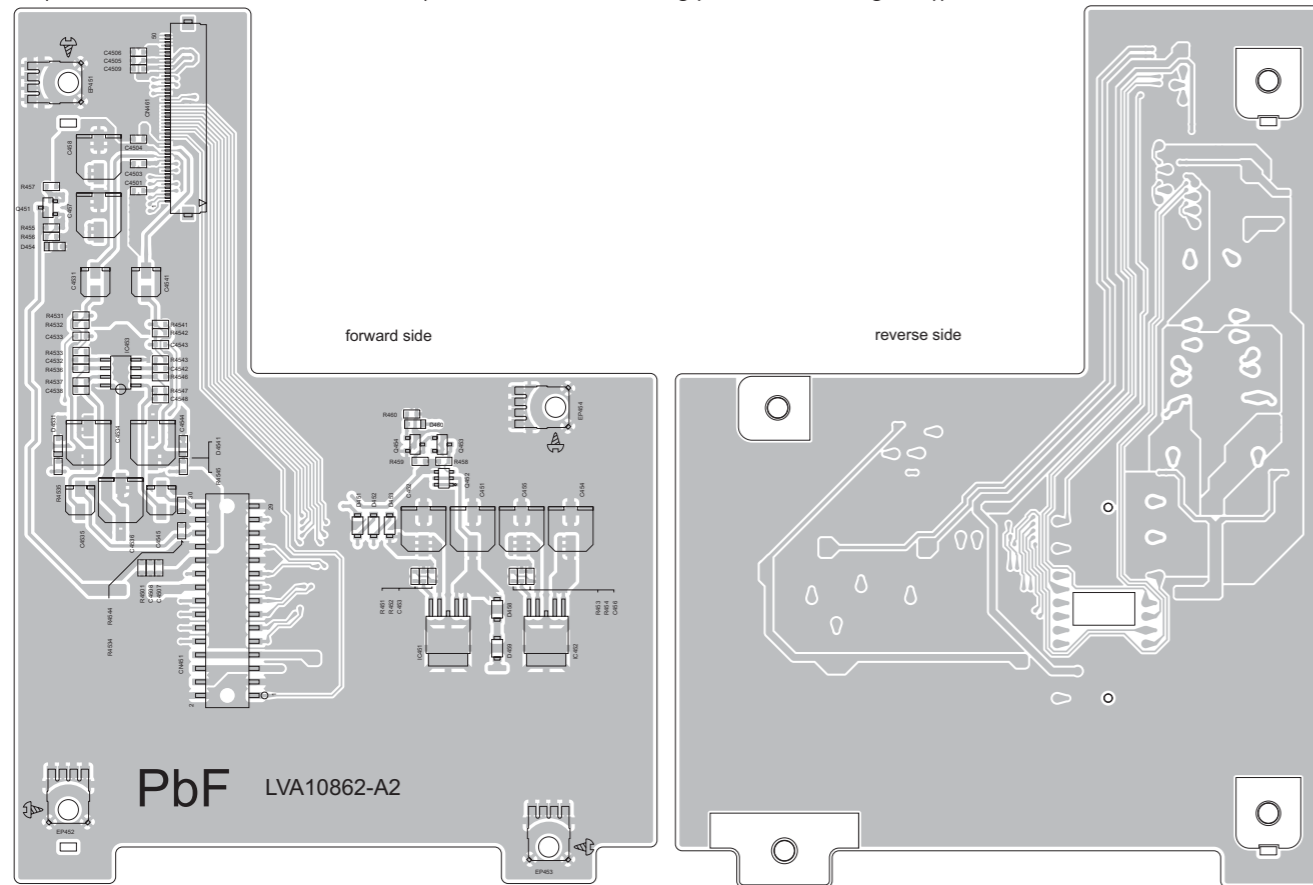
(Lead free solder used in the board (material : Sn-Ag-Cu, melting point : 219 Centigrade))  
(Lead free solder used in the board (material : Sn-Cu, melting point : 230 Centigrade))





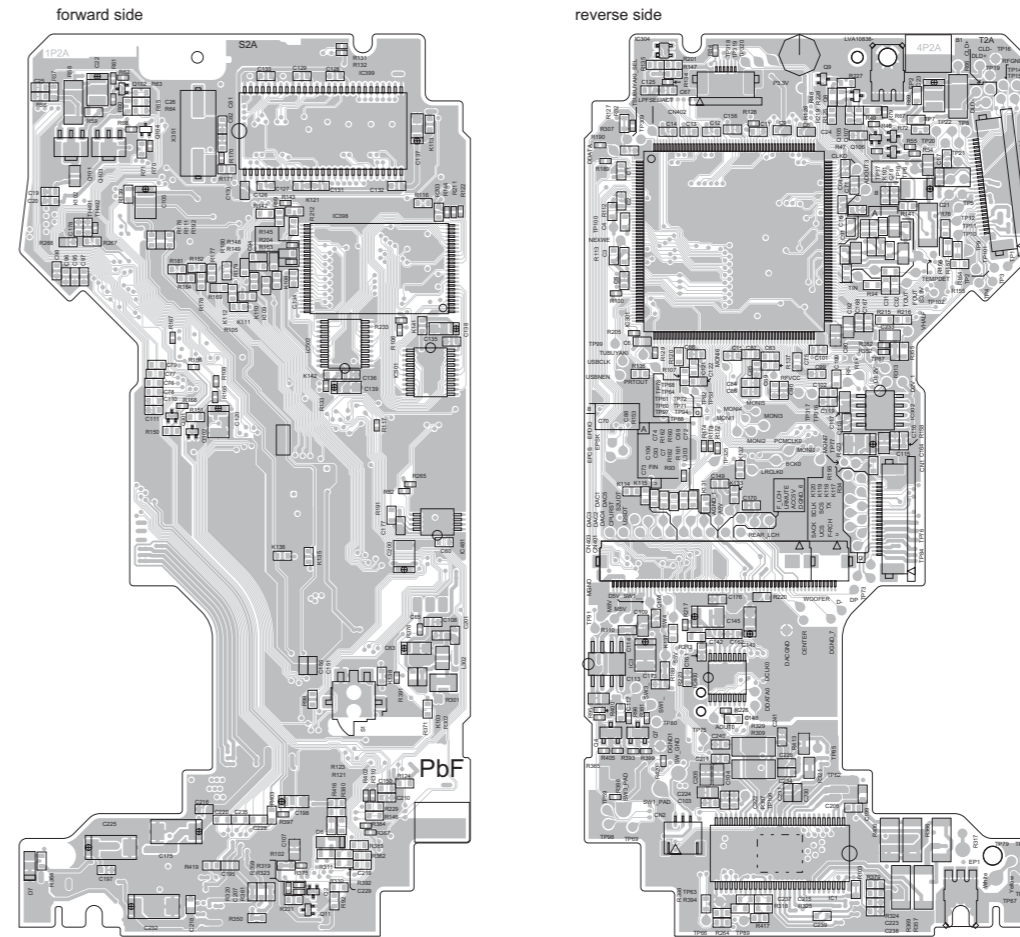
■ **Relay board (Common)**

(Lead free solder used in the board (material : Sn-Ag-Cu, melting point : 219 Centigrade))  
 (Lead free solder used in the board (material : Sn-Cu, melting point : 230 Centigrade))



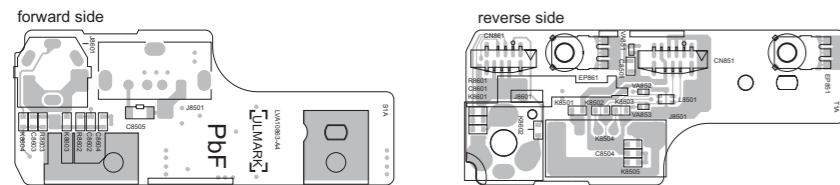
■ **Relay board (Common)**

(Lead free solder used in the board (material : Sn-Ag-Cu, melting point : 219 Centigrade))  
 (Lead free solder used in the board (material : Sn-Cu, melting point : 230 Centigrade))



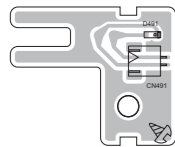
■ **Jack board (Common)**

(Lead free solder used in the board (material : Sn-Ag-Cu, melting point : 219 Centigrade))  
 (Lead free solder used in the board (material : Sn-Cu, melting point : 230 Centigrade))



■ **SLOT-LED board (Common)**

(Lead free solder used in the board (material : Sn-Ag-Cu, melting point : 219 Centigrade))  
 (Lead free solder used in the board (material : Sn-Cu, melting point : 230 Centigrade))



■ **Gyro board (Common)**

(Lead free solder used in the board (material : Sn-Ag-Cu, melting point : 219 Centigrade))  
 (Lead free solder used in the board (material : Sn-Cu, melting point : 230 Centigrade))



■ **Sensor board (Common)**

(Lead free solder used in the board (material : Sn-Ag-Cu, melting point : 219 Centigrade))  
 (Lead free solder used in the board (material : Sn-Cu, melting point : 230 Centigrade))



■ **Sensor board (Common)**

(Lead free solder used in the board (material : Sn-Ag-Cu, melting point : 219 Centigrade))  
 (Lead free solder used in the board (material : Sn-Cu, melting point : 230 Centigrade))



■ **Sensor IC board (Common)**

(Lead free solder used in the board (material : Sn-Ag-Cu, melting point : 219 Centigrade))  
 (Lead free solder used in the board (material : Sn-Cu, melting point : 230 Centigrade))



< MEMO >



**Victor Company of Japan, Limited**

Mobile Entertainment Division 10-1,1chome,Ohwatari-machi,Maebashi-city,Gumma-ken,371-8543,Japan